

C. Westicks 12-5-90
APPROVED/DATE

1
REV

SAFETY ORGANIZATION(S):

THIS FILTER HAS BEEN FORMALLY RECOGNIZED, CERTIFIED OR APPROVED BY THE LISTED AGENCY. THEREFORE, ALL TEST/REQUIREMENTS SPECIFIED IN THE LATEST REVISION OF THE FOLLOWING AGENCY STANDARDS HAVE BEEN MET:

UL RECOGNIZED
UL 1283
CSA CERTIFIED
CSA 22.2, NO.0,0.4,8
VDE APPROVED
VDE 565-3

OPERATING SPECIFICATIONS:

LINE VOLTAGE/CURRENT:
20 AMP., 120/250 VAC
16A/40°C, 250VAC
50-60Hz
40°C
LINE FREQUENCY:
MAX. CASE RISE θ RATED CURRENT:
MAX. LEAKAGE CURRENT, EACH
LINE TO GROUND
OPERATING AMBIENT TEMP. RANGE:
.3 mA at 120V 60 Hz
.5 mA at 250V 50 Hz
-10°C TO +40°C θ RATED CURRENT, I_r

IN AN AMBIENT, T_a , HIGHER THAN 40°C, THE MAXIMUM OPERATING CURRENT, I_o , IS AS FOLLOWS:

$$I_o = I_r \sqrt{\frac{85-T_a}{45}}$$

RELIABILITY SPECIFICATIONS:

STORAGE TEMPERATURE:
-40°C TO +85°C
HUMIDITY:
21 DAYS @ 40°C 95% RH
CURRENT OVERLOAD TEST:
6 TIMES RATED CURRENT FOR 8 SECONDS

TEST SPECIFICATIONS:

INDUCTANCE:
6.06 mH NOMINAL
CAPACITANCE: (MEASURED @ 1 KHz, 0.25 VAC MAX., 25°C \pm 1°C)
LINE TO GROUND:
LINE TO LINE:
DISCHARGE RESISTOR
470K Ω
6000 M Ω (MIN) AT 100 VDC
INSULATION RESISTANCE
20°C AND 50% RH

RECOMMENDED RECEIVING INSPECTION HIPOT:

LINES TO GROUND:
2250 VDC FOR 1 MINUTE
LINE TO LINE:
1450 VDC FOR 1 MINUTE

FILTER APPROVAL:

THE BEST WAY TO SELECT AND QUALIFY A FILTER IS FOR YOUR ENGINEERING TO TEST THE UNIT IN YOUR EQUIPMENT.

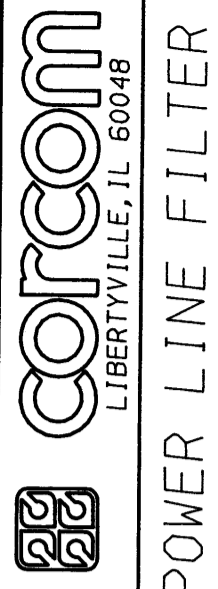
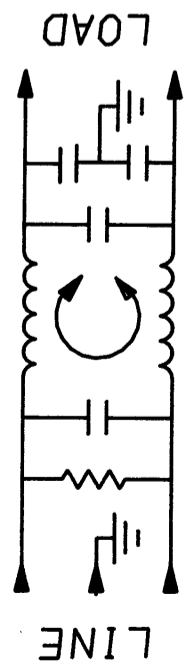
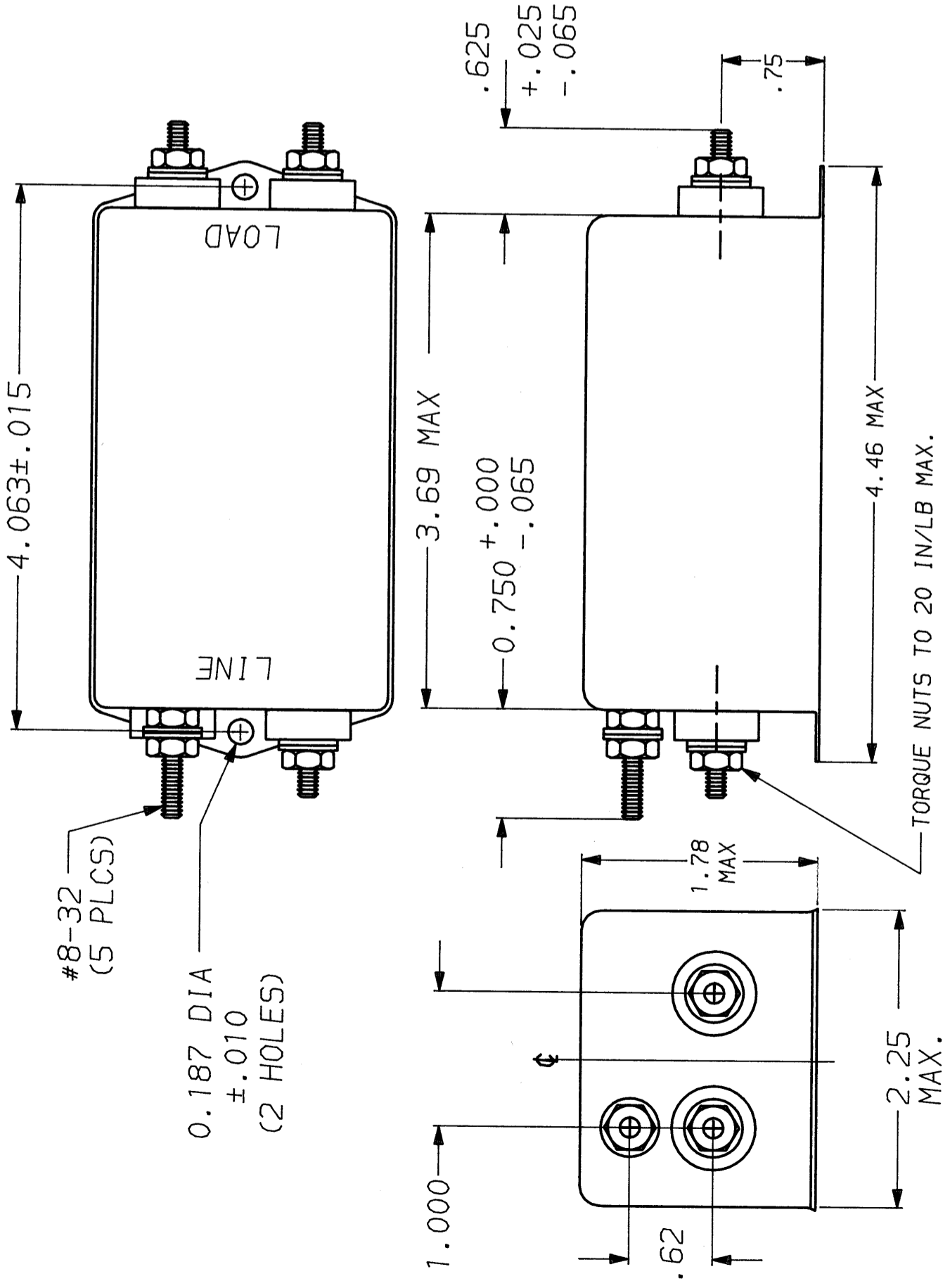
FREQUENCY MHZ	50 Ω - 50 Ω (MINIMUM) INSERTION LOSS					
	.01	.08	.1	.15	1.0	5.0
COMMON	7	22	24	28	35	38
DIFF. dB	1	10	8	8	45	60
					60	60

This document is proprietary to CORCOM INC. and is not to be reproduced nor used for manufacturing purposes except on CORCOM's order or prior written consent.

TOLERANCE EXCEPT AS NOTED	
DECIMAL: .XXX .XX .X	ANGLES \pm 1°
ENGLISH: \pm .025	
METRIC: \pm —	
MATERIAL: AS SUPPLIED	
FINISH: AS SUPPLIED	
SCALE	DATE
NTS	9-12-89
DRG. BY	ORIGINATOR
TDL	CW
DRG. NO.	REV.
20ESK6.01	01



POWER LINE FILTER



POWER LINE FILTER

TOLERANCE EXCEPT AS NOTED	
DECIMAL: .XXX .XX .X	ANGLES \pm 1°
ENGLISH: \pm .025	
METRIC: \pm —	
MATERIAL: AS SUPPLIED	
FINISH: AS SUPPLIED	
SCALE	DATE
NTS	9-12-89
DRG. BY	ORIGINATOR
TDL	CW
DRG. NO.	REV.
20ESK6.01	01

X-ON Electronics

Largest Supplier of Electrical and Electronic Components

Click to view similar products for [Power Line Filters](#) category:

Click to view products by [TE Connectivity](#) manufacturer:

Other Similar products are found below :

[6609019-3](#) [6609026-5](#) [6609030-6](#) [6609973-2](#) [D30A](#) [7-1609090-5](#) [F2810](#) [F4456A](#) [F7382Z](#) [F7863Z](#) [FAHAV3100ZC000](#) [806276](#) [FN2020B-1-06](#) [FN2080B-10-06](#) [FN2410H-32-33](#) [FP144](#) [FS4153-20-06](#) [FS4353-500-99](#) [12-MMB-030-11-D](#) [DB4-393](#) [15811T200](#) [20B1](#) [LC630](#) [2B1](#) [1609080-2](#) [1609993-8](#) [1-6609070-1](#) [F1100AA02](#) [F1150CC10](#) [F1500CA10](#) [F1500CA15](#) [F4041Z](#) [F7585E](#) [1B1](#) [FN2070A-16-06](#) [FN2090A-20-06](#) [FN2090B-12-06](#) [FN2090Z-1-06](#) [FN2410H-25-33](#) [FN2410H-60-34](#) [FN2410H-8-44](#) [FN2412H-8-44](#) [FN323B-6-01](#) [FN3258H-130-35](#) [FN610R-3-06](#) [20EHQ7](#) [20EHZ7](#) [20K1](#) [30B6](#) [3K1](#)