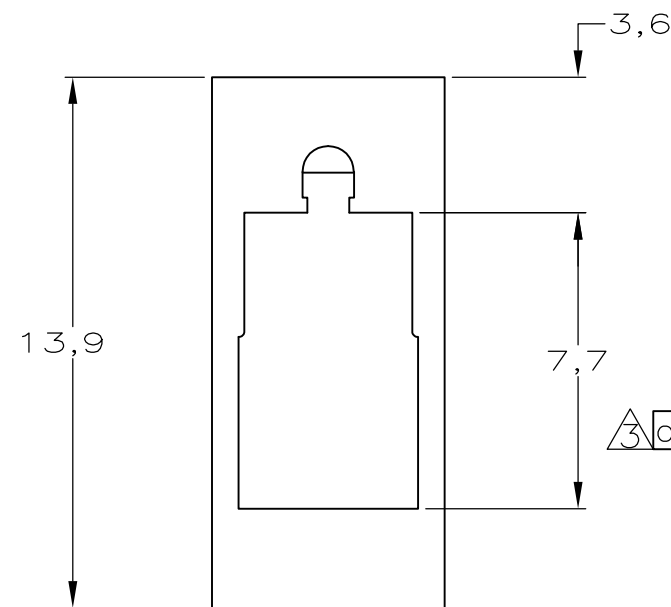
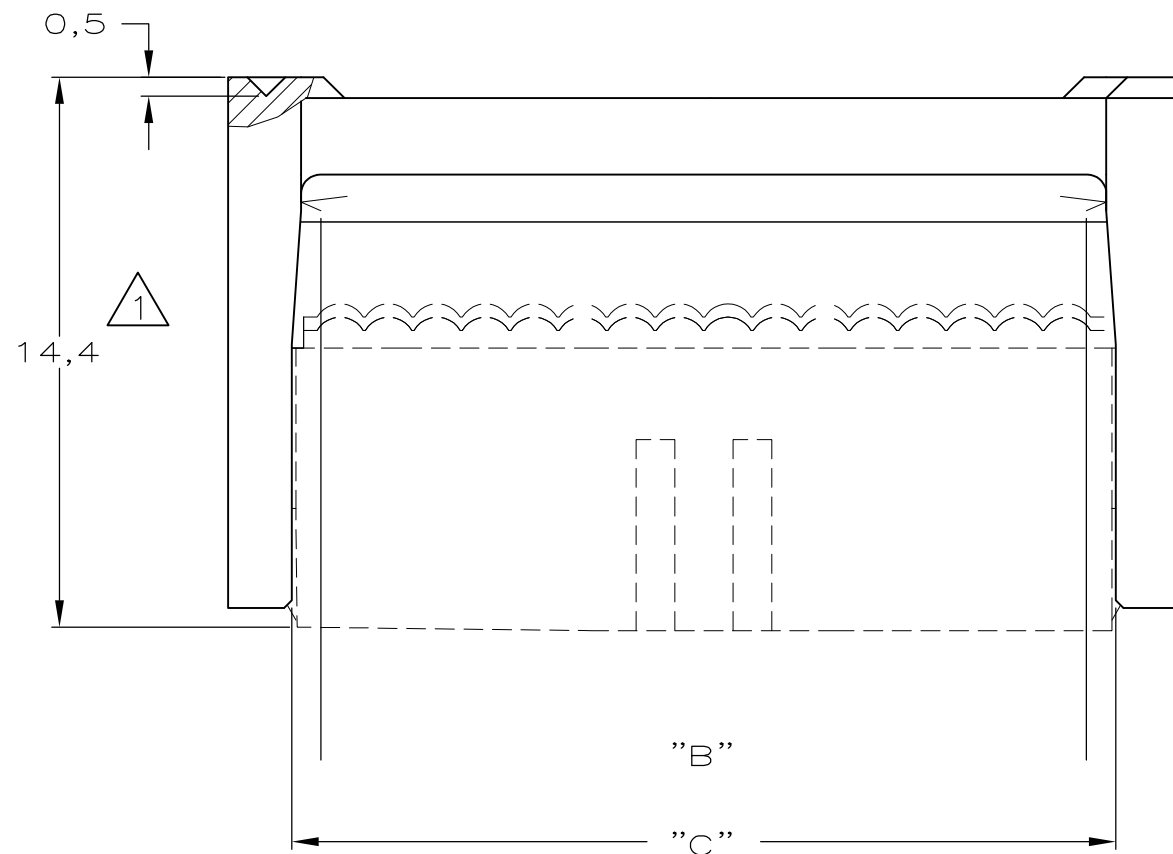
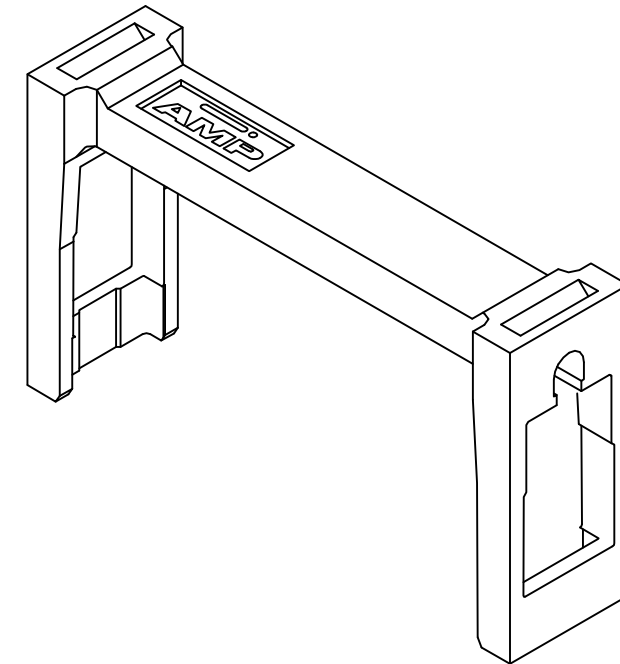
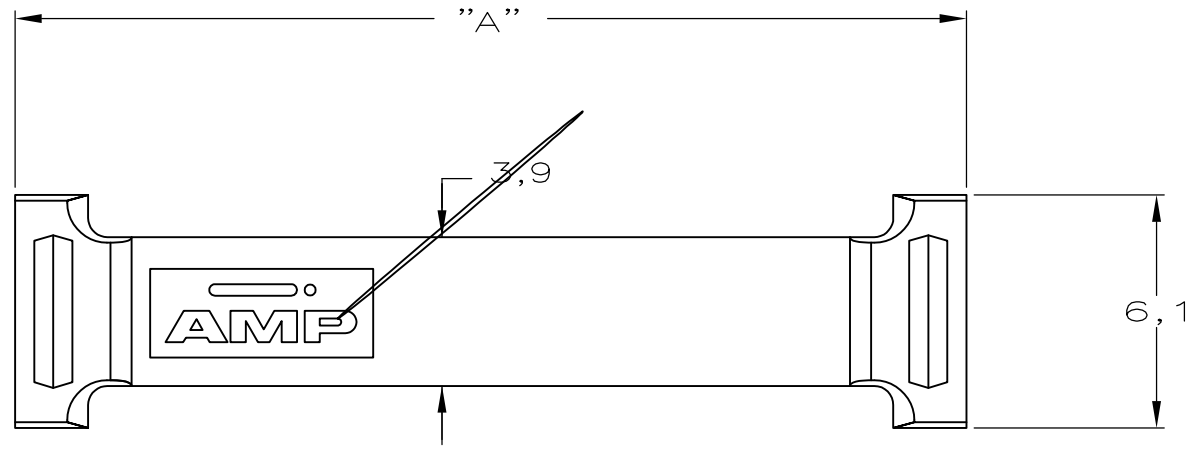
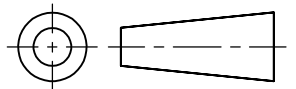


DO NOT SCALE
DIMENSIONS IN mm

METRIC

THIRD ANGLE
PROJECTION



NR. OF CABLE POS.	NR. OF DUAL POS.	A	B	C	PARTNUMBER
64	32	85,88	82,07	82,64	6-100103-4
60	30	80,80	76,99	77,56	6-100103-0
50	25	68,10	64,29	64,86	5-100103-0
44	22	60,48	56,67	57,24	4-100103-4
40	20	55,40	51,59	52,16	4-100103-0
34	17	47,78	43,97	44,54	3-100103-4
30	15	42,70	38,89	39,46	3-100103-0
26	13	37,62	33,81	34,38	2-100103-6
20	10	30,00	26,19	26,76	2-100103-0
16	8	24,92	21,11	21,68	1-100103-6
14	7	22,38	18,57	19,14	1-100103-4
10	5	17,30	13,49	14,06	1-100103-0

NOTES:

- 1 ASSEMBLED WITH AMP-LATCH MIL-TYPE RECEPT. CONN. (SYMMETRIC COVER)
- 2 250 PIECES PACKED IN A PLASTIC BAG.
- 3 OBSOLETE PARTS: OBSOLETE CIS STREAMLINING PER D.RENAUD/D.SINISI

GREY RAL 7032	GLASSFILLED NYLON
COLOR	MATERIAL

—	—	—	—	—	CUSTOMER DRAWING FOR REFERENCE ONLY WILL NOT BE UPDATED © COPYRIGHT 19 — BY ALL INTERNATIONAL RIGHTS RESERVED. THIS DRAWING IS UNPUBLISHED RELEASED FOR PUBLICATION —,19 —																									
—	—	—	—	—																										
—	—	—	—	—																										
—	—	—	—	—																										
<table border="1"> <tr> <td colspan="2"> </td> <td colspan="3"> NAME AMP-LATCH MIL-TYPE RECEPT. CONN. STRAIN-RELIEF. </td> </tr> </table>							NAME AMP-LATCH MIL-TYPE RECEPT. CONN. STRAIN-RELIEF.																							
		NAME AMP-LATCH MIL-TYPE RECEPT. CONN. STRAIN-RELIEF.																												
<table border="1"> <tr> <td>DR.:</td><td>R.HOGEVEEN.</td><td>CHK.:</td><td>R.VERSTIJNEN.</td><td>APP.:</td><td>L.V.SOEST.</td><td>DWG.No.</td><td>100103</td><td>REV.LTR.</td><td>C2</td><td>SHEET</td><td>1 OF 1</td><td>A3</td> </tr> <tr> <td>DATE:</td><td>06-08-90</td><td>DATE:</td><td>08-08-90</td><td>DATE:</td><td>23-08-90</td><td></td><td></td><td></td><td></td><td></td><td></td><td></td> </tr> </table>					DR.:	R.HOGEVEEN.	CHK.:	R.VERSTIJNEN.	APP.:	L.V.SOEST.	DWG.No.	100103	REV.LTR.	C2	SHEET	1 OF 1	A3	DATE:	06-08-90	DATE:	08-08-90	DATE:	23-08-90							
DR.:	R.HOGEVEEN.	CHK.:	R.VERSTIJNEN.	APP.:	L.V.SOEST.	DWG.No.	100103	REV.LTR.	C2	SHEET	1 OF 1	A3																		
DATE:	06-08-90	DATE:	08-08-90	DATE:	23-08-90																									

X-ON Electronics

Largest Supplier of Electrical and Electronic Components

Click to view similar products for [Headers & Wire Housings](#) category:

Click to view products by [TE Connectivity](#) manufacturer:

Other Similar products are found below :

[892-18-020-10-001101](#) [58102-G61-06LF](#) [582553-1](#) [0009485154](#) [009176003701906](#) [0050291907](#) [LY20-4P-DT1-P1E-BR](#) [02.125.8002.8](#)
[609-3404](#) [61062-3](#) [61082-181009](#) [622-3653LF](#) [63453-116](#) [636-1030](#) [636-1427](#) [636-3427](#) [636-4007](#) [641938-9](#) [641991-4](#) [644827-2](#) [65817-](#)
[010LF](#) [65817-015LF](#) [65863-015LF](#) [66207-023LF](#) [67095-007LF](#) [67601157](#) [68645-018](#) [68648-049](#) [70.362.1628.0](#) [70-4210](#) [70-4226B](#) [70-](#)
[4853B](#) [707-5020](#) [707-5028](#) [71.350.2428.0](#) [71918-208LF](#) [71961-016LF](#) [733-134](#) [733-162](#) [754199-000](#) [760-3052](#) [787-8014-00](#) [79531-3000](#)
[FCN-360C032-B](#) [FCN-367T-T012/H](#) [FCN-723D010/2](#) [80.063.4001.1](#) [800-90-001-10-001000](#) [800-90-010-10-002000](#) [801-43-002-10-013000](#)