

## DT SENSORS

### SPECIFICATIONS

- ◆ Piezoelectric film sensor without lead attachments
- ◆ Silver ink electrode
- ◆ Available in different sizes and thicknesses
- ◆ Great for making your own sensor

The DT series of piezo film sensors elements are rectangular elements of piezo film with silver ink screen printed electrodes. They are available in a variety of different sizes and thicknesses.

The DT film element produces more than 10 millivolts per microstrain, about 60 dB higher than the voltage output of a foil strain gauge. The capacitance is proportional to the area and inversely proportional to the thickness of the element.

The DT series sensors are the simplest form of piezo film sensors, used primarily as dynamic strain gages and contact microphones for vibration or impact detection. These are available without any leads for those applications where the customer wants to make their own lead attachment. The sensor can be readily adhered to a surface with double-sided tape or epoxy. Lead attachment can be achieved by compressive clamping, crimps, eyelets, conductive epoxy or low temperature solders

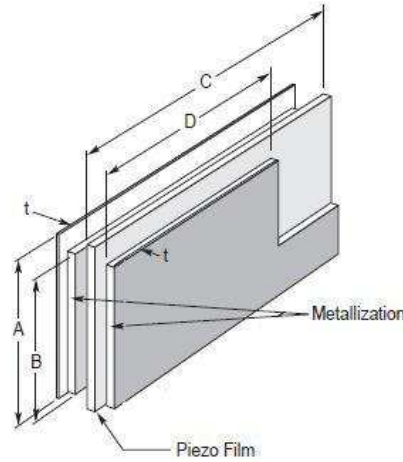
### FEATURES

- ◆ Thin Piezo polymer w/ high piezo activity
- ◆ Flexible silver ink metallization
- ◆ Min. input impedance: 1 M $\Omega$ , recommended: 10 M $\Omega$
- ◆ Output voltage- mV to 100s of volts
- ◆ Operating temp: -40 to 60°C

### APPLICATIONS

- ◆ Sensing contact forces
- ◆ Recording the time of an event
- ◆ Counting the number of impacts
- ◆ Make your own sensor element

**DIMENSIONS and PART NUMBERS**



**Dimensions in inches (mm)**

Model Number	Part Number	Film Thickness	A Film	B Electrode	C Film	D Electrode	Total Thickness (µm)	Cap (nF)
DT1-028K	1-1002608-0	28 µm	.64 (16)	.484 (12)	1.63 (41)	1.19 (30)	40	1.38
DT1-052K	2-1002608-0	52 µm	.64 (16)	.484 (12)	1.63 (41)	1.19 (30)	64	.740
DT2-028K	1-1002145-0	28 µm	.64 (16)	.484 (12)	2.86 (73)	2.42 (62)	40	2.78
DT2-052K	2-1002145-0	52 µm	.64 (16)	.484 (12)	2.86 (73)	2.42 (62)	64	1.44
DT4-028K	1-1002149-0	28 µm	.86 (22)	.740 (19)	6.72 (171)	6.13 (156)	40	11.00
DT4-052K	2-1002149-0	52 µm	.86 (22)	.740 (19)	6.72 (171)	6.13 (156)	64	5.70

**NORTH AMERICA**

Measurement Specialties, Inc.,  
 a TE Connectivity Company  
 Tel: +1-800-522-6752  
 Email: [customercare.dtm@te.com](mailto:customercare.dtm@te.com)

**EUROPE**

MEAS Deutschland GmbH  
 a TE Connectivity Company  
 Tel: +49-800-440-5100  
 Email: [customercare.dtm@te.com](mailto:customercare.dtm@te.com)

**ASIA**

Measurement Specialties (China), Ltd.,  
 a TE Connectivity Company  
 Tel: +86 0400-820-6015  
 Email: [customercare.chdu@te.com](mailto:customercare.chdu@te.com)

**TE.com/sensorsolutions**

Measurement Specialties, Inc., a TE Connectivity company.

Measurement Specialties, TE Connectivity, TE Connectivity (logo) and EVERY CONNECTION COUNTS are trademarks. All other logos, products and/or company names referred to herein might be trademarks of their respective owners.

The information given herein, including drawings, illustrations and schematics which are intended for illustration purposes only, is believed to be reliable. However, TE Connectivity makes no warranties as to its accuracy or completeness and disclaims any liability in connection with its use. TE Connectivity's obligations shall only be as set forth in TE Connectivity's Standard Terms and Conditions of Sale for this product and in no case will TE Connectivity be liable for any incidental, indirect or consequential damages arising out of the sale, resale, use or misuse of the product. Users of TE Connectivity products should make their own evaluation to determine the suitability of each such product for the specific application.

© 2015 TE Connectivity Ltd. family of companies All Rights Reserved.

## X-ON Electronics

Largest Supplier of Electrical and Electronic Components

*Click to view similar products for [Vibration Sensors](#) category:*

*Click to view products by [TE Connectivity](#) manufacturer:*

Other Similar products are found below :

[D7H-A1](#) [SCA1000-N1000070-004](#) [LDTC-VERTICAL](#) [1005939-1](#) [1005940-1](#) [1007158-1](#) [1767](#) [3-1004346-0](#) [1005935-1](#) [1006015-1](#) [2384](#)  
[1-1003745-0](#) [1-1002150-0](#) [1-1002785-1](#) [1-1002786-1](#) [1-1002908-0](#) [1-1004346-0](#) [D7A1](#) [D7A2](#) [VBS040100](#) [VBS061100](#) [VBS062100T](#)  
[SEN-09197](#) [D7S-A0001](#) [1766](#) [4081](#) [PCH420V-M12-HZ](#) [SR-3065W](#) [VS-JV10A-K03](#) [VS-JV10A](#) [VS-JV10A-K02](#) [VS-JV10A-K04](#) [BU-](#)  
[21771-000](#) [BU-23173-000](#) [D6B-2](#) [D7A3](#) [D7E-1](#) [D7E-2](#) [29132](#) [605-00004](#) [RBS100602](#) [SEN-09196](#) [SEN-09198](#) [VBS040200T](#) [3-1004347-0](#)  
[LDT1-028K](#) [1-1004347-0](#) [1-1003744-0](#) [1-1004696-0](#) [BU-23842-000](#)