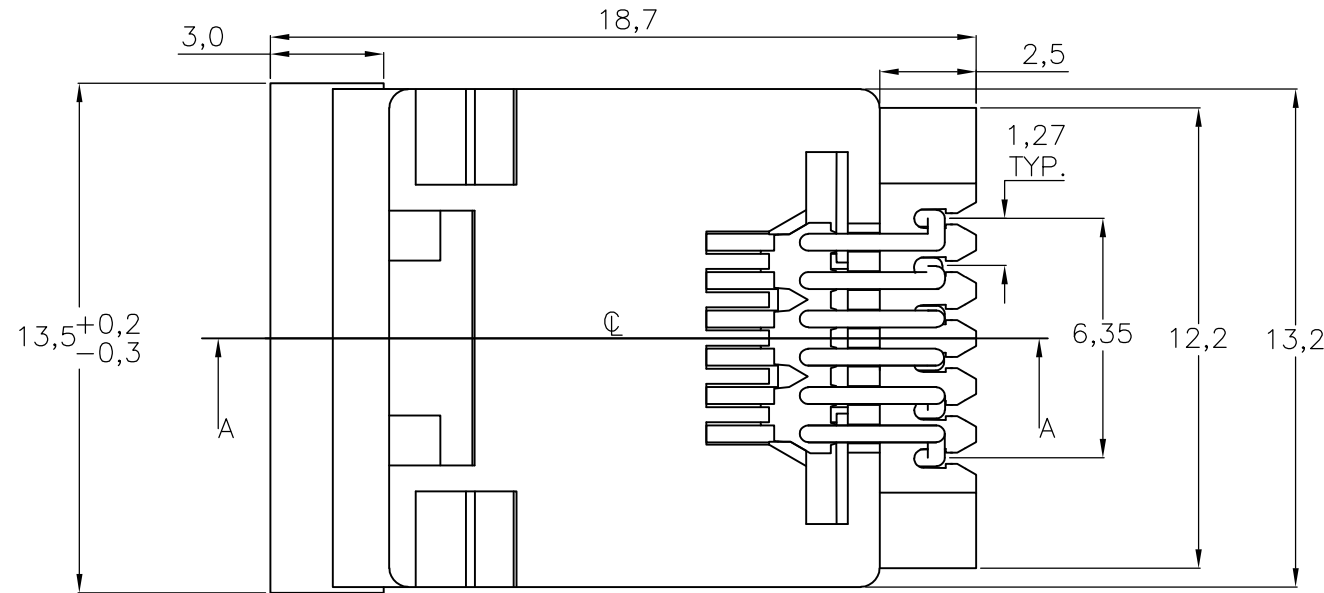
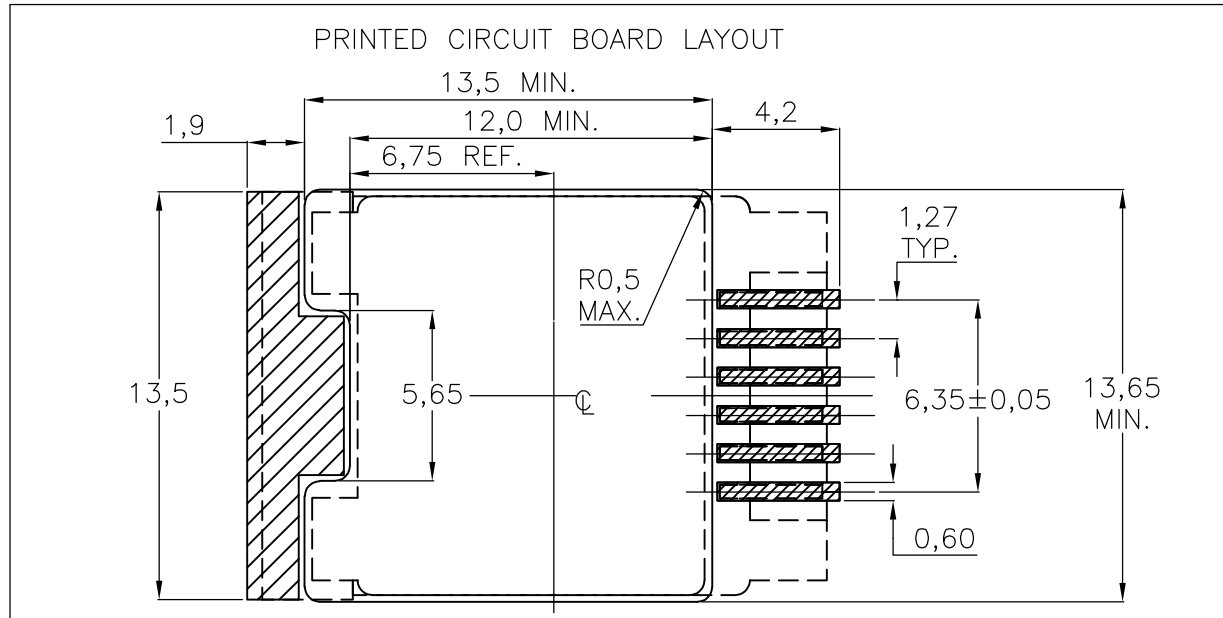
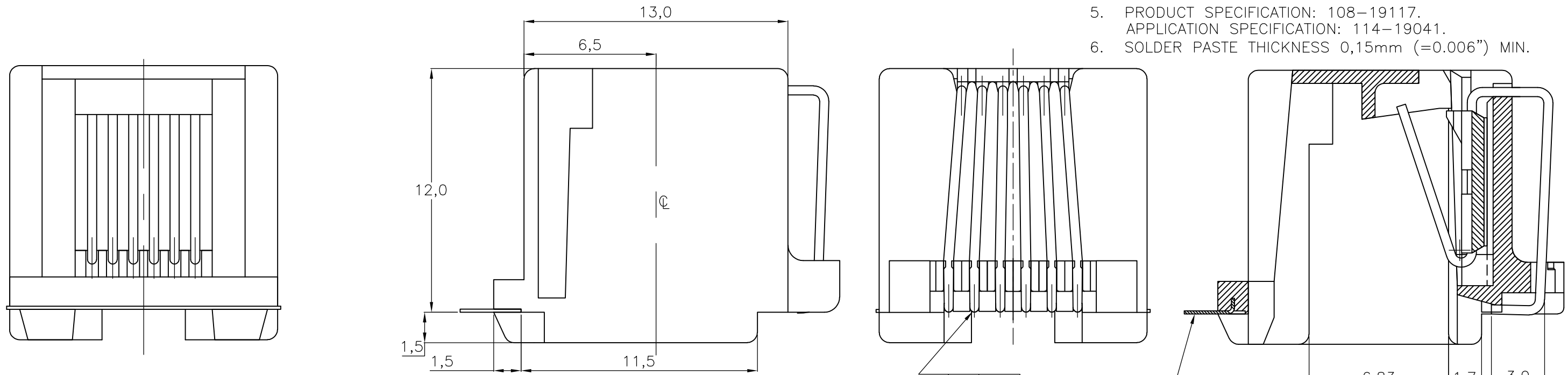


THIS DRAWING IS UNPUBLISHED. RELEASED FOR PUBLICATION  
 © COPYRIGHT BY TYCO ELECTRONICS CORPORATION. ALL INTERNATIONAL RIGHTS RESERVED.

LOC	DIST	REVISIONS					
		P	LTR	DESCRIPTION	DATE	DWN	APVD
H	-		L	EH-1518-99	20-09-99	MVE	-
			M	ECR-06-013127	31-05-06	MO	-
			M1	ECR-08-012368	06-07-08	AEG	WRV



- NOTES:
- TOLERANCES UNLESS OTHERWISE SPECIFIED:  $\pm 0.15$
  - CONTACTS:  
1.25 $\mu$ m MIN. GOLD OVER 1.25 $\mu$ m MIN. NICKEL IN CONTACT AREA.  
2.0 $\mu$ m MIN. TIN OVER 1.25 $\mu$ m MIN. NICKEL ON SOLDER TINES.
  - HOUSING:  
30% G.F. PA 4.6, COLOR BLACK, UL 94V-0  
CONTACTS:  
PHOSPHOR BRONZE  
ADDITIONAL SOLDERJOINT:  
TIN PLATED BRASS
  - MODULAR JACKS ARE DELIVERED TAPE MOUNTED ON REEL. SEE SHEET 2.
  - PRODUCT SPECIFICATION: 108-19117.  
APPLICATION SPECIFICATION: 114-19041.
  - SOLDER PASTE THICKNESS 0,15mm (=0.006") MIN.



DESCRIPTION	FINISH	MATERIAL	PARTNUMBER
THIS DRAWING IS A CONTROLLED DOCUMENT.	2	3	SEE SHEET 2
DWN D.CAMPSCHROER 27JAN92			
CHK W. BRUMMANS			
APVD L. VAN SOEST			
PRODUCT SPEC			
APPLICATION SPEC			
WEIGHT			
MATERIAL SEE TABLE			
FINISH SEE TABLE			
CUSTOMER DRAWING		SCALE NTS	SHEET 1 OF 4
		DRAWING NO. A3 00779 C-100860	REV M1

THIS DRAWING IS UNPUBLISHED.

RELEASED FOR PUBLICATION

© COPYRIGHT - BY TYCO ELECTRONICS CORPORATION.

ALL RIGHTS RESERVED.

LOC

DIST

REVISIONS

P

LTR

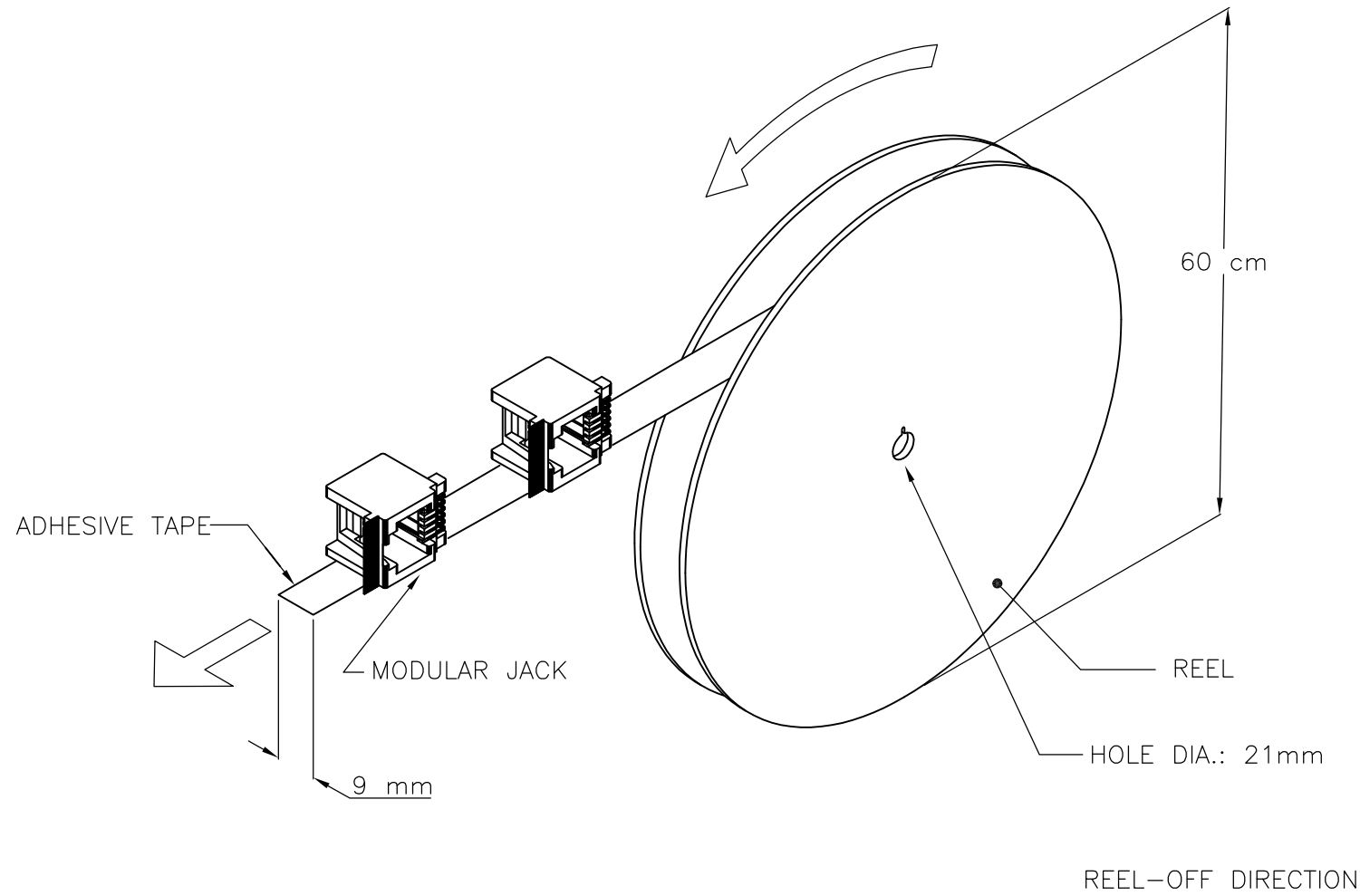
DESCRIPTION

DATE

DWN

APVD

SEE SHEET 1

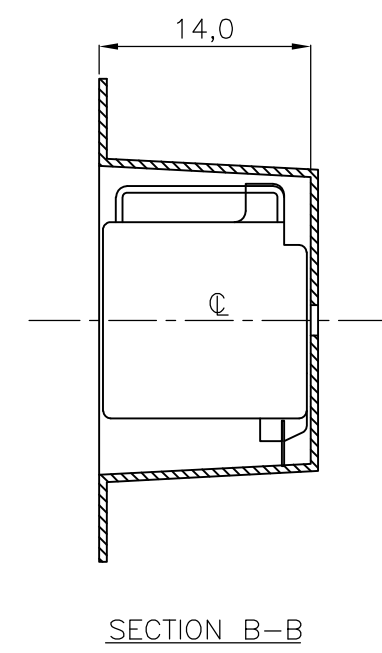
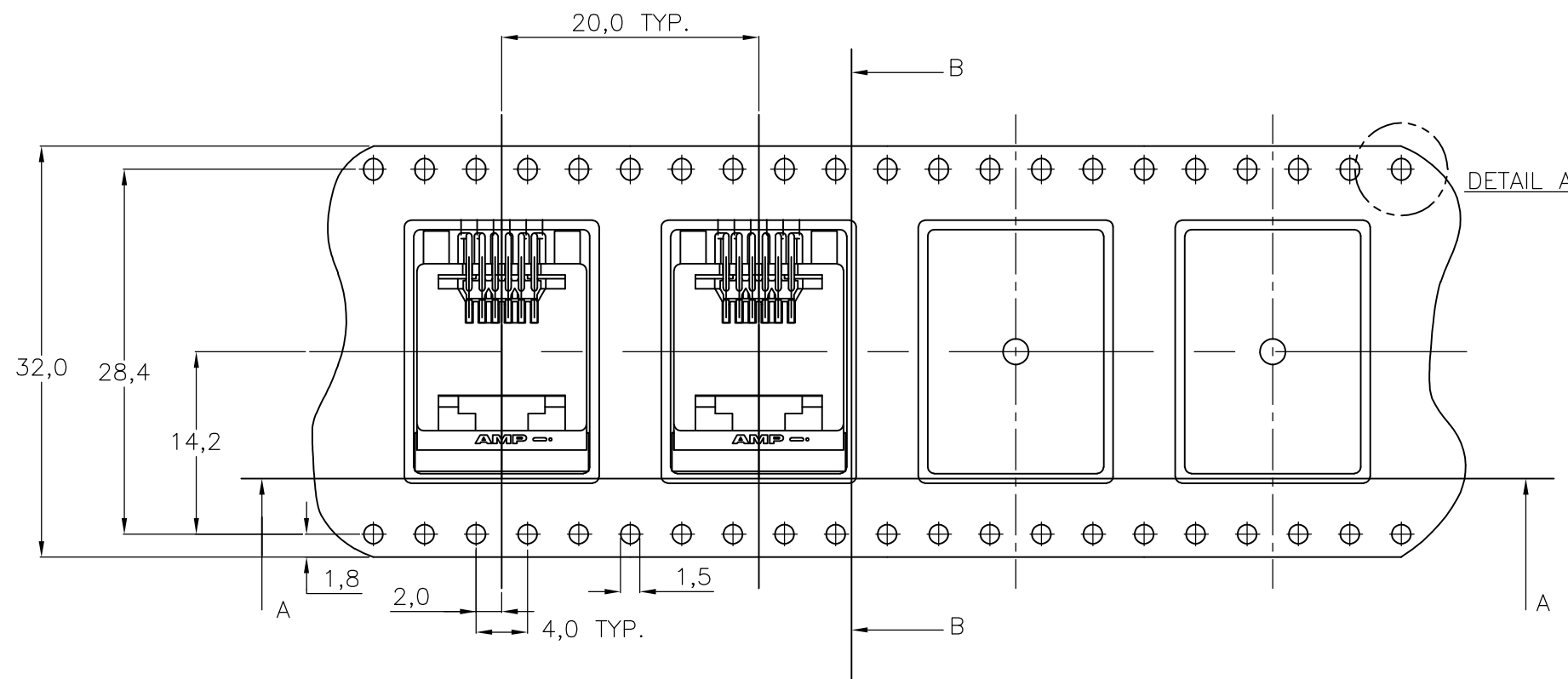


6 POS. / 6 CONTACTS	TAPE MOUNTED ON 60 cm. DIA. REEL (700 pcs/reel)	100860-1
DESCRIPTION	PACKAGING	PARTNUMBER

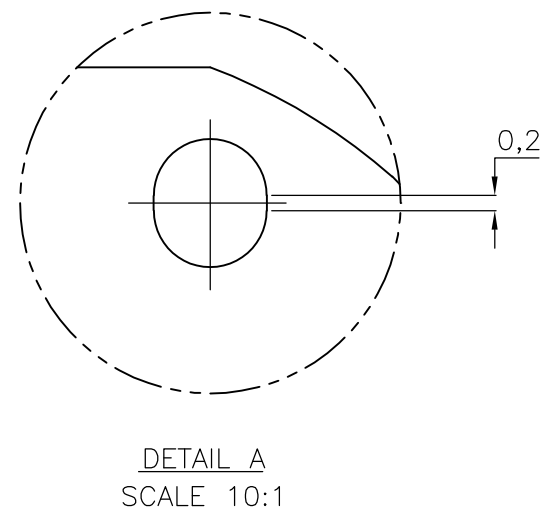
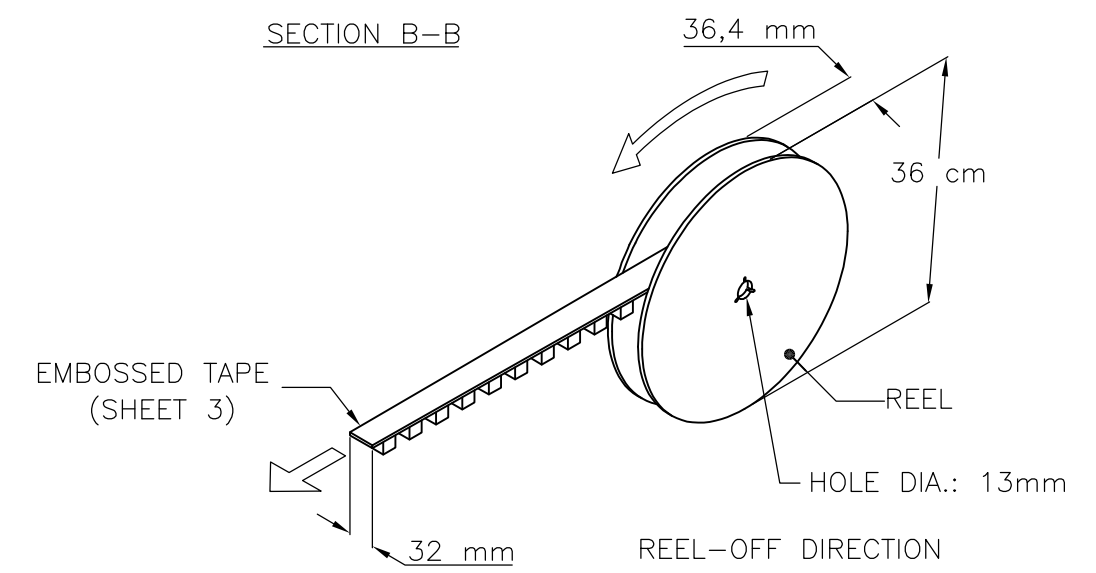
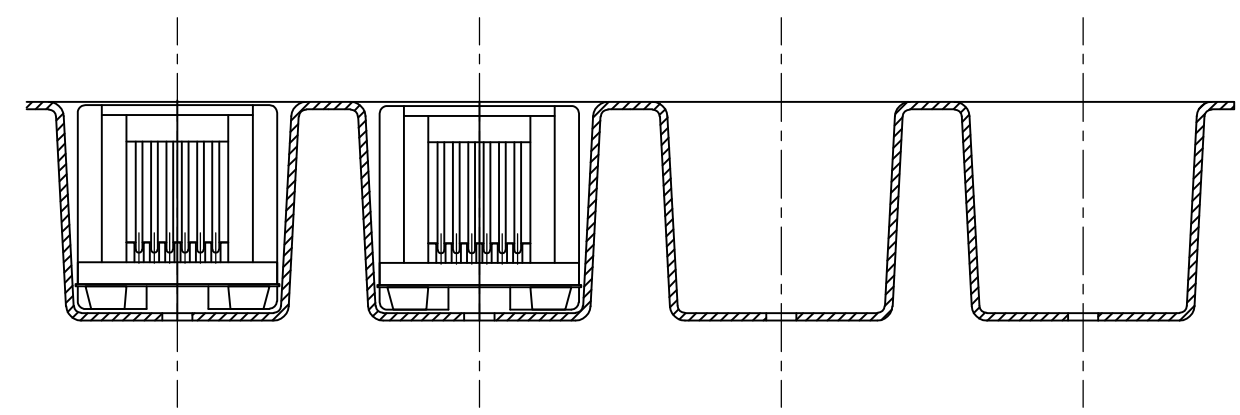
THIS DRAWING IS A CONTROLLED DOCUMENT.		DWN J. TUIN	06AUG93	Tyco Electronics Corporation 's-Hertogenbosch, Nederland	
DIMENSIONS: mm		CHK W. BRUMMANS	NAME		
TOLERANCES UNLESS OTHERWISE SPECIFIED:		APVD L. VAN SOEST	MODULAR JACK, 6 POSITION BOTTOM ENTRY FOR SURFACE MOUNT APPLICATION		
MATERIAL		PRODUCT SPEC	SIZE	CAGE CODE	DRAWING NO
FINISH		APPLICATION SPEC	A3	00779	C-100860
		WEIGHT	RESTRICTED TO		
		CUSTOMER DRAWING		SCALE	SHEET
				NTS	2 of 4
				REV	M1

THIS DRAWING IS UNPUBLISHED. RELEASED FOR PUBLICATION  
 © COPYRIGHT - BY TYCO ELECTRONICS CORPORATION. ALL RIGHTS RESERVED.

LOC	DIST	REVISIONS					
H	-	P	LTR	DESCRIPTION	DATE	DWN	APVD
		-		SEE SHEET 1	-	-	-



REEL OFF DIRECTION



6 POS. / 6 CONTACTS	EMBOSSSED TAPE ACC. TD EIA 481-3 (36 cm. DIA. REEL)(300 pcs/reel)	2-100860-1
DESCRIPTION	PACKAGING	PARTNUMBER
THIS DRAWING IS A CONTROLLED DOCUMENT.		
DIMENSIONS: mm	TOLERANCES UNLESS OTHERWISE SPECIFIED:	DWN E. V. EIJK 03DEC96
	0 PLC ± -	CHK E. STELLINGA -
	1 PLC ± -	APVD R. SMEETS -
	2 PLC ± -	PRODUCT SPEC -
	3 PLC ± -	APPLICATION SPEC -
	4 PLC ± -	WEIGHT -
	ANGLES ± -	
	FINISH -	
MATERIAL -		
CUSTOMER DRAWING		SCALE NTS SHEET 3 OF 4 REV M1

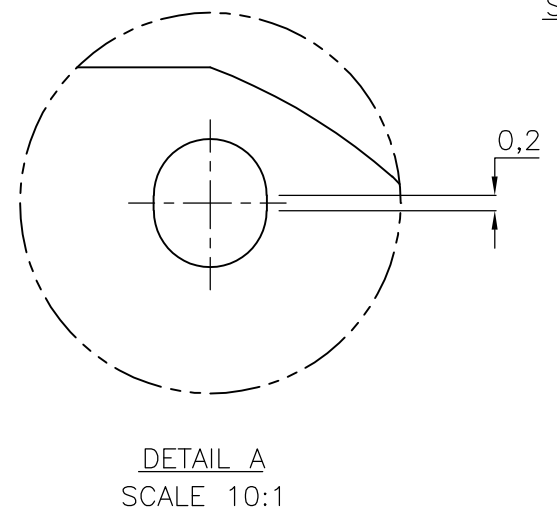
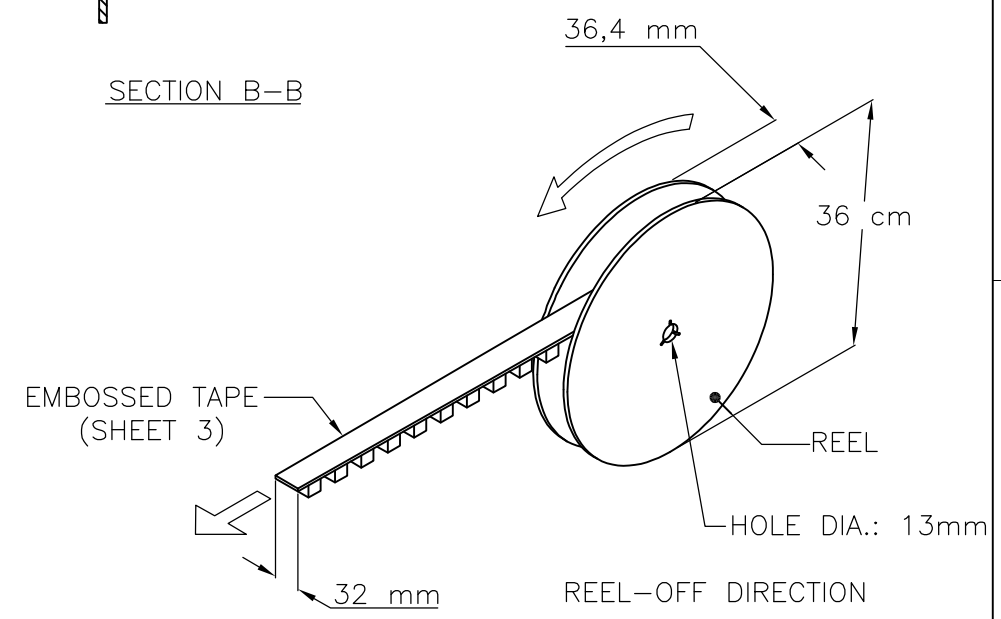
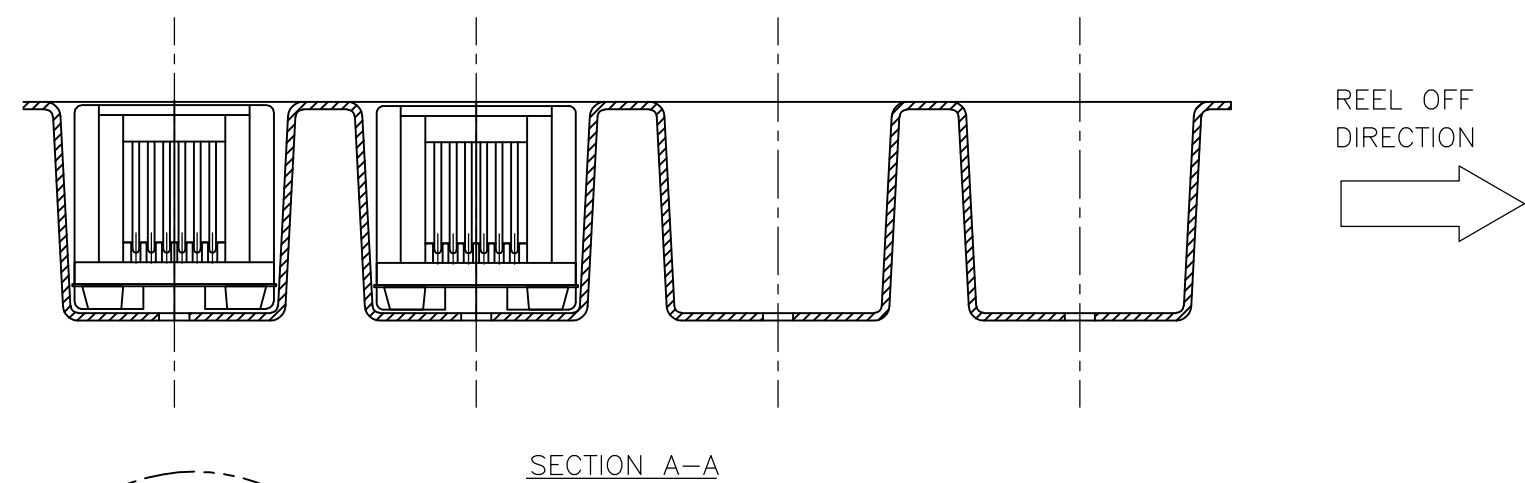
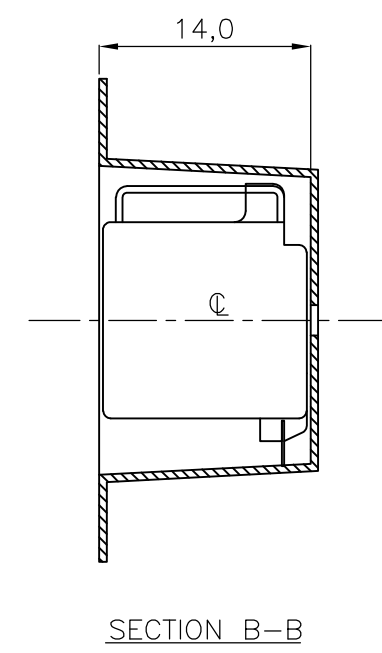
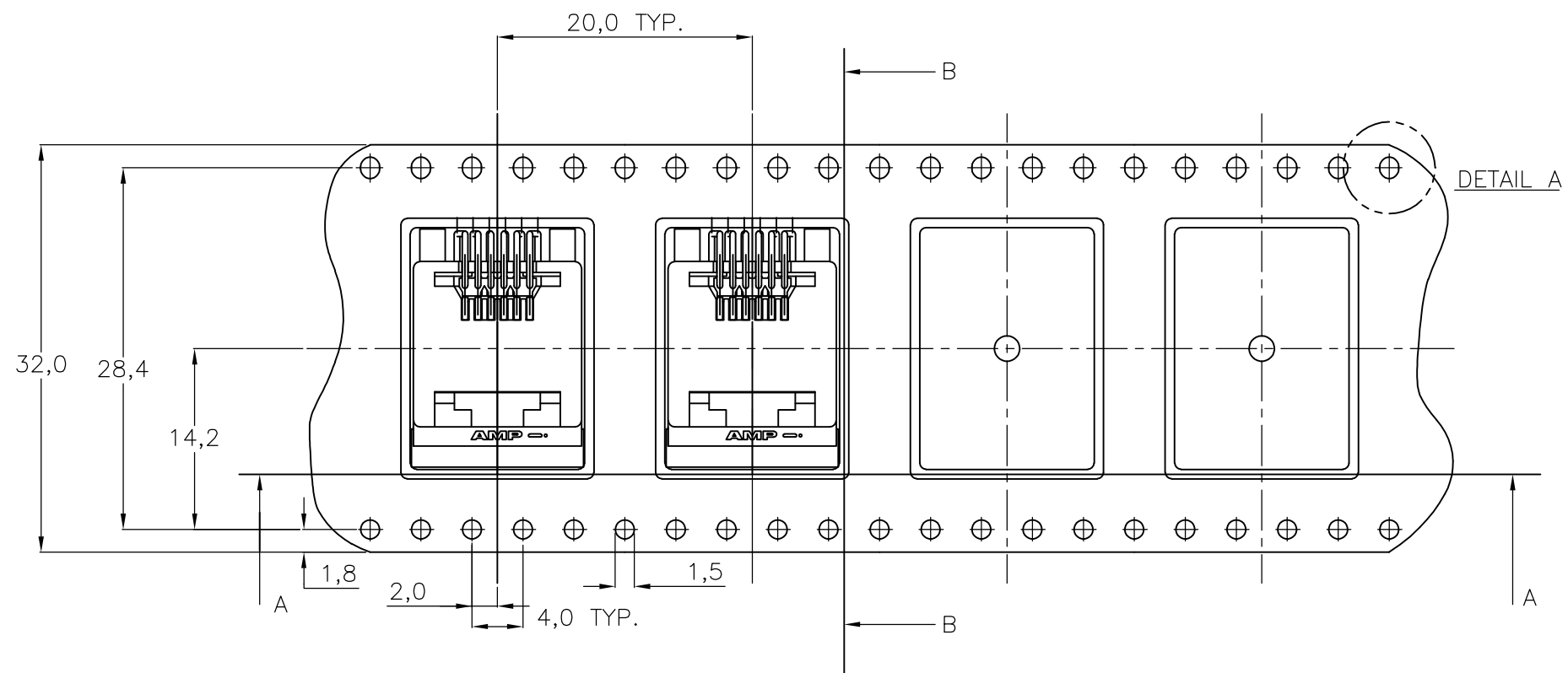
**Tyco Electronics** Tyco Electronics Corporation  
 's-Hertogenbosch, Nederland

MODULAR JACK 6 POS. PACKAGING

SIZE A3 CAGE CODE 00779 DRAWING NO. C-100860 RESTRICTED TO -

THIS DRAWING IS UNPUBLISHED. RELEASED FOR PUBLICATION  
 © COPYRIGHT - BY TYCO ELECTRONICS CORPORATION. ALL RIGHTS RESERVED.

LOC	DIST	REVISIONS			
P	LTR	DESCRIPTION	DATE	DWN	APVD
H	-	SEE SHEET 1	-	-	-



OBSOLETE	6 POS. / 6 CONTACTS	EMBOSSSED TAPE ACC. TD EIA 481-3 (36 cm. DIA. REEL)(300 pcs/reel)	3-100860-1
DESCRIPTION		PACKAGING	PARTNUMBER

THIS DRAWING IS A CONTROLLED DOCUMENT.		DWN E. V. EIJK 03DEC96	Tyco Electronics Corporation 's-Hertogenbosch, Nederland	
DIMENSIONS: mm		CHK E. STELLINGA	NAME	
TOLERANCES UNLESS OTHERWISE SPECIFIED:		APVD R. SMEETS	MODULAR JACK 6 POS. PACKAGING	
0 PLC ± -		PRODUCT SPEC	SIZE	RESTRICTED TO
1 PLC ± -		APPLICATION SPEC	CAGE CODE	
2 PLC ± -		WEIGHT	DRAWING NO	
3 PLC ± -			A3 00779	C-100860
4 PLC ± -			SCALE NTS SHEET 4 OF 4 REV M1	
ANGLES ± -				
FINISH		CUSTOMER DRAWING		

## X-ON Electronics

Largest Supplier of Electrical and Electronic Components

*Click to view similar products for [Modular Connectors / Ethernet Connectors](#) category:*

*Click to view products by [TE Connectivity](#) manufacturer:*

Other Similar products are found below :

[8949-H88/06BLKA/SN](#) [74441-0010/BKN](#) [MP1010RX-1000](#) [MP44RX-1000](#) [PHJ-4P4C-1-V-4](#) [PHP-6P6C-5](#) [GAX-3-66](#) [GAX-8-62](#) [GDCX-PA-66-50](#) [GDCX-PN-64](#) [GDCX-PN-66](#) [GDCX-PN-66-50](#) [GDLX-A-66](#) [GDLX-N-66](#) [GDLX-S-66](#) [GDLX-S-88K](#) [GDLX-SMT-S-88](#) [GDTX-S-88-50](#) [GDX-PA-1010](#) [GLX-N-1010M-BLK](#) [GLX-S-88M-BLK](#) [GMX-N-1010](#) [GMX-S-1010](#) [GMX-S-66](#) [GMX-SMT4-N-88](#) [GPX-2-64](#) [GSGX-N-2-88](#) [GSGX-N-4-88](#) [GSX-NS2-88-3.05](#) [GSX-NS2-88-3.05-50](#) [GSX-NS-88-3.05-50](#) [PT-108A-8C-UL](#) [PT-J951-8C](#) [PTS-J531-8CS-50UL](#) [1-1775629-2](#) [A-2014-0-4](#) [GWLX-S-88-GR](#) [GWLX-S9-88-YG](#) [DC-1021-8-WH-6](#) [1300530003](#) [1324640-4](#) [RJ11FTVC2G](#) [RJ11FTVC2N](#) [RJFTVX2SA1G](#) [132764-001](#) [1413235](#) [MP88X-1000](#) [MPS88RX-5000](#) [E5288-S000K3-L](#) [E5908-15A242-L](#)