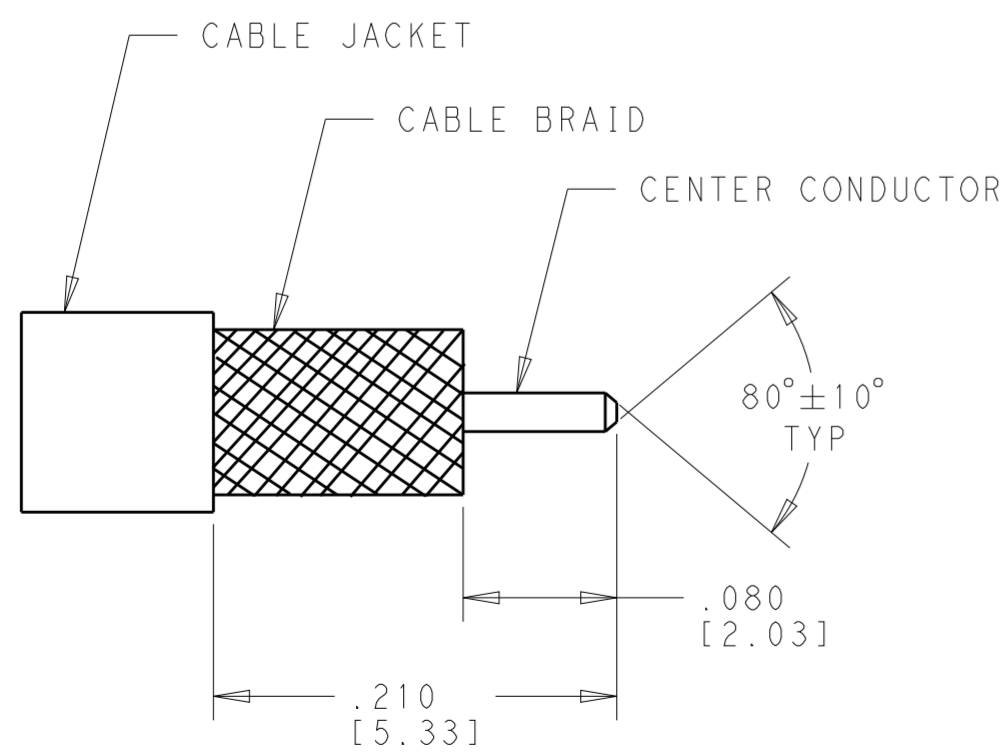
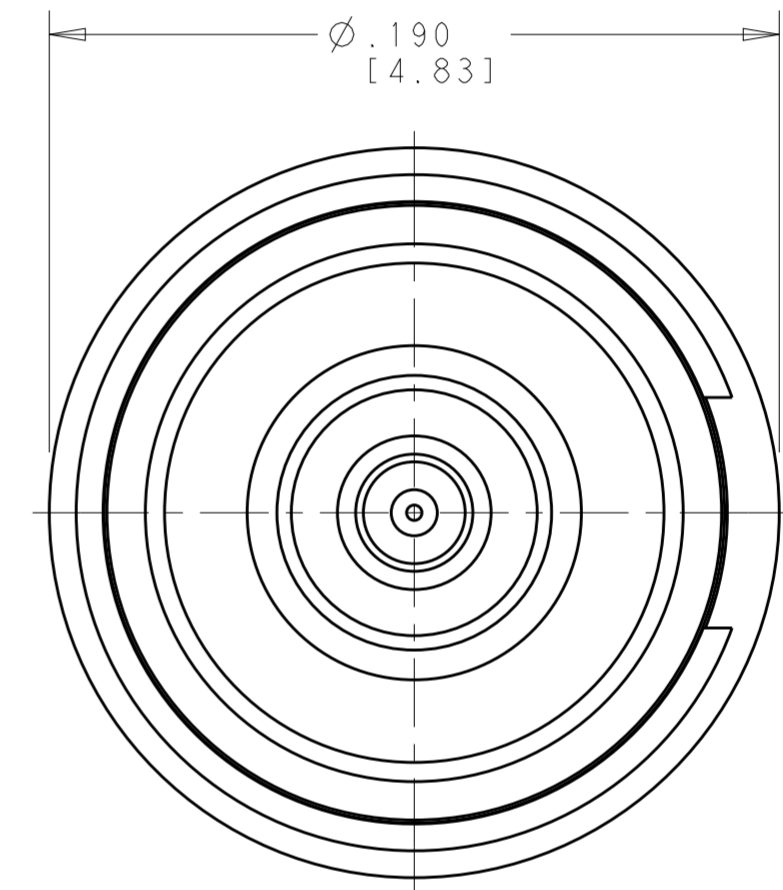
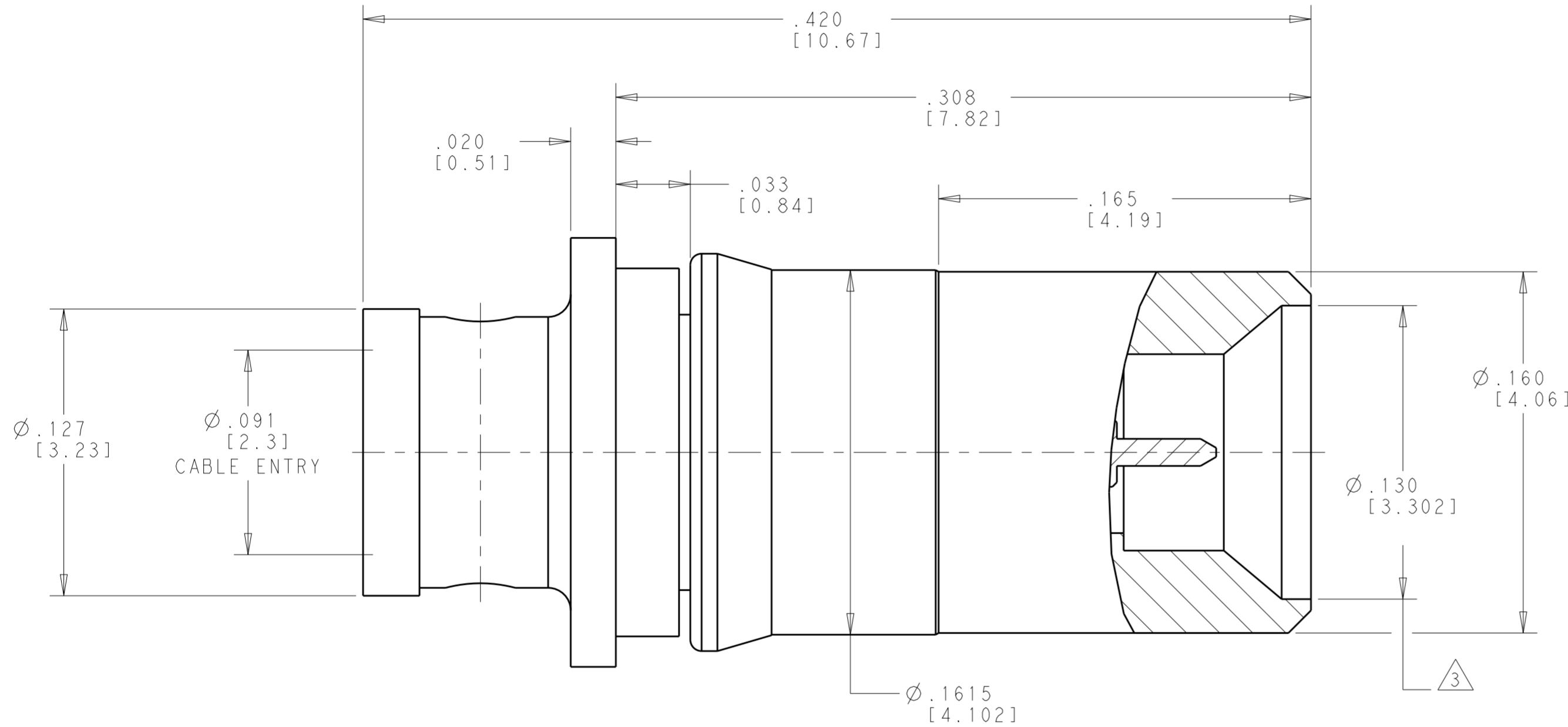


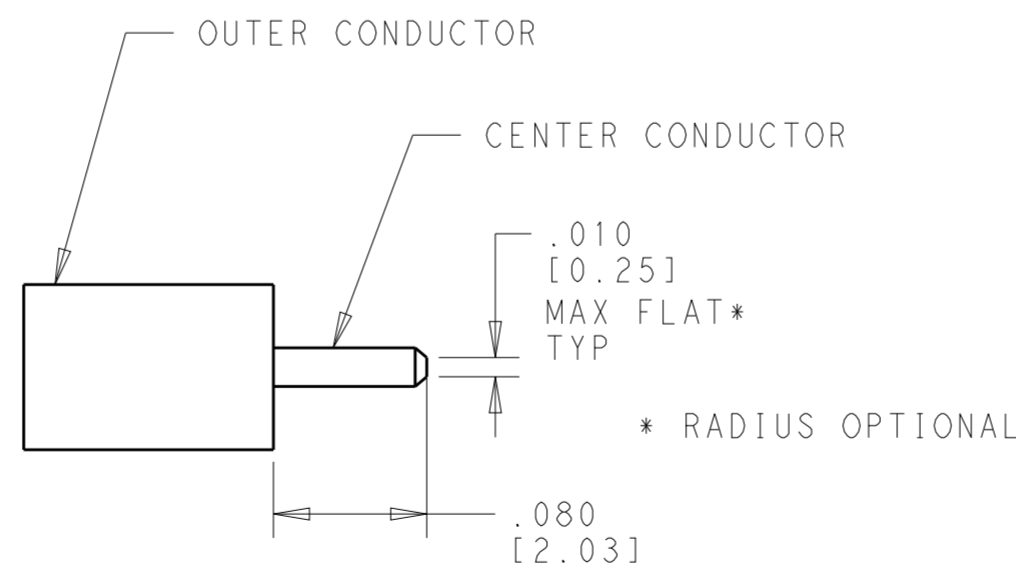
THIS DRAWING IS UNPUBLISHED. RELEASED FOR PUBLICATION
 © COPYRIGHT - BY - ALL RIGHTS RESERVED.

LOC		DIST		REVISIONS			
P	LTR	DESCRIPTION	DATE	DWN	APVD		
	J	RELEASED PER ECO 13-014257	9-16-13	CT	WM		

- 1 MATERIAL:
 BODY, OUTER CONTACT, RETAINING RING & CENTER CONTACT
 BERYLIUM COPPER, ALLOY UNS C17300 CONDITION TDO4, PER ASTM B196.
 INSULATOR - TEFLON (PTFE) ROD, PER ASTM D 1710.
- 2 FINISH:
 BODY & CENTER CONTACT - GOLD PLATE, PER ASTM B488
 OVER NICKEL PLATE PER, SAE-AMS-QQ-N-290
 RETAINING RING - NICKEL PLATE PER, SAE-AMS-QQ-N-290
- 3 SMPM MALE SMOOTH BORE, PER MIL-STD-348
 EXCEPT AS NOTED.



SCALE 10:1
 CABLE PREPARATION
 FOR Ø.086
 FLEXIBLE CABLES



SCALE 10:1
 CABLE PREPARATION
 FOR Ø.086 SEMI-RIGID &
 CONFORMABLE CABLES

2101012-1
 PART
 NUMBER

THIS DRAWING IS A CONTROLLED DOCUMENT.		DWN 08MAR2010 S. T. Morley	TE Connectivity	
DIMENSIONS: INCHES [mm]		CHK 25MAY2010 S. T. Morley		
TOLERANCES UNLESS OTHERWISE SPECIFIED:		APVD 25MAY2010 S. T. Morley	NAME SMPM STRAIGHT CABLE PLUG (M) PANEL MOUNT - SOLDER ATTACHMENT FOR USE WITH .085 DIA. CABLE	
0 PLC ±	1 PLC ±	PRODUCT SPEC	SIZE A2	CAGE CODE 00779
2 PLC ±	3 PLC ±.005 [0.13]	APPLICATION SPEC 408-10364	DRAWING NO C-2101012	RESTRICTED TO
4 PLC ±	ANGLES ±	WEIGHT -	SCALE 20:1	SHEET 1 OF 1
MATERIAL 1		Customer Drawing		REV J

X-ON Electronics

Largest Supplier of Electrical and Electronic Components

Click to view similar products for [RF Connectors / Coaxial Connectors](#) category:

Click to view products by [TE Connectivity](#) manufacturer:

Other Similar products are found below :

[8915-1511-000](#) [89674-0827](#) [6001-7071-019](#) [6002-7051-003](#) [6002-7551-202](#) [6059674-1](#) [619550-1](#) [630059-000](#) [M39030/3-01N](#) [6500-7071-046](#) [6769](#) [CX050L2AQ](#) [7002-1541-010](#) [7002-1542-011](#) [7004-1512-000](#) [7009-1511-004](#) [7010-1511-000](#) [7029-1511-060](#) [7101-1541-010](#) [7101-1571-002](#) [7105-1521-002](#) [7145-1521-002](#) [7203-1571-003](#) [7209-1511-011](#) [7210-1511-015](#) [7210-1511-019](#) [73137-5015](#) [73216-2241](#) [73404-2300](#) [7405-1521-005](#) [7405-1521-802](#) [8527](#) [8547](#) [FS11V](#) [877931](#) [8808-1511-001](#) [9074-9513-000](#) [9101-9573-002](#) [910A205F](#) [9130-9573-002](#) [PL11SC-026](#) [PL375-33](#) [PL40-5](#) [PL74C-221](#) [PL75MC-217](#) [PL803-7](#) [1200690078](#) [1-201144-1](#) [R107003010W](#) [R110A172100](#)