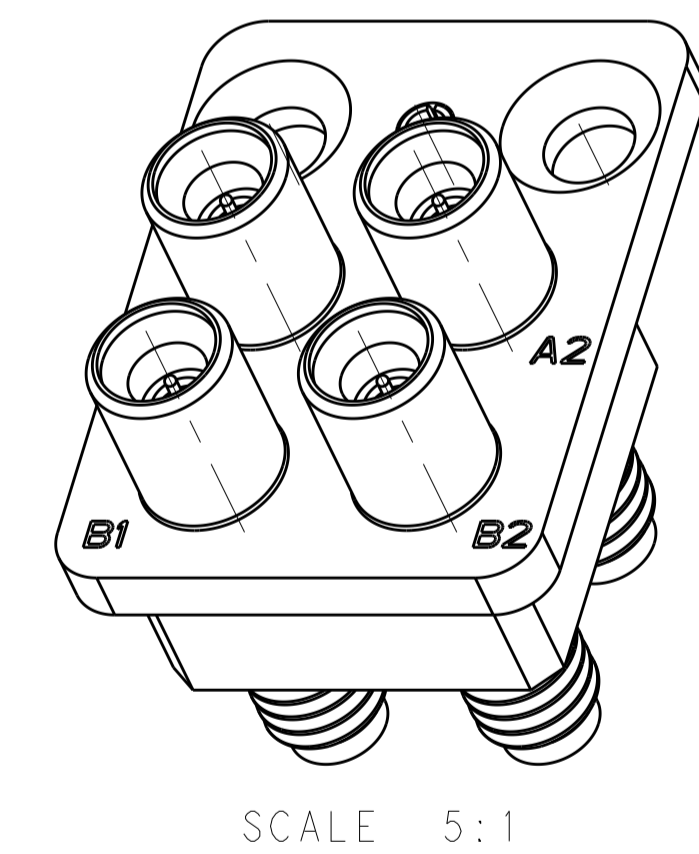
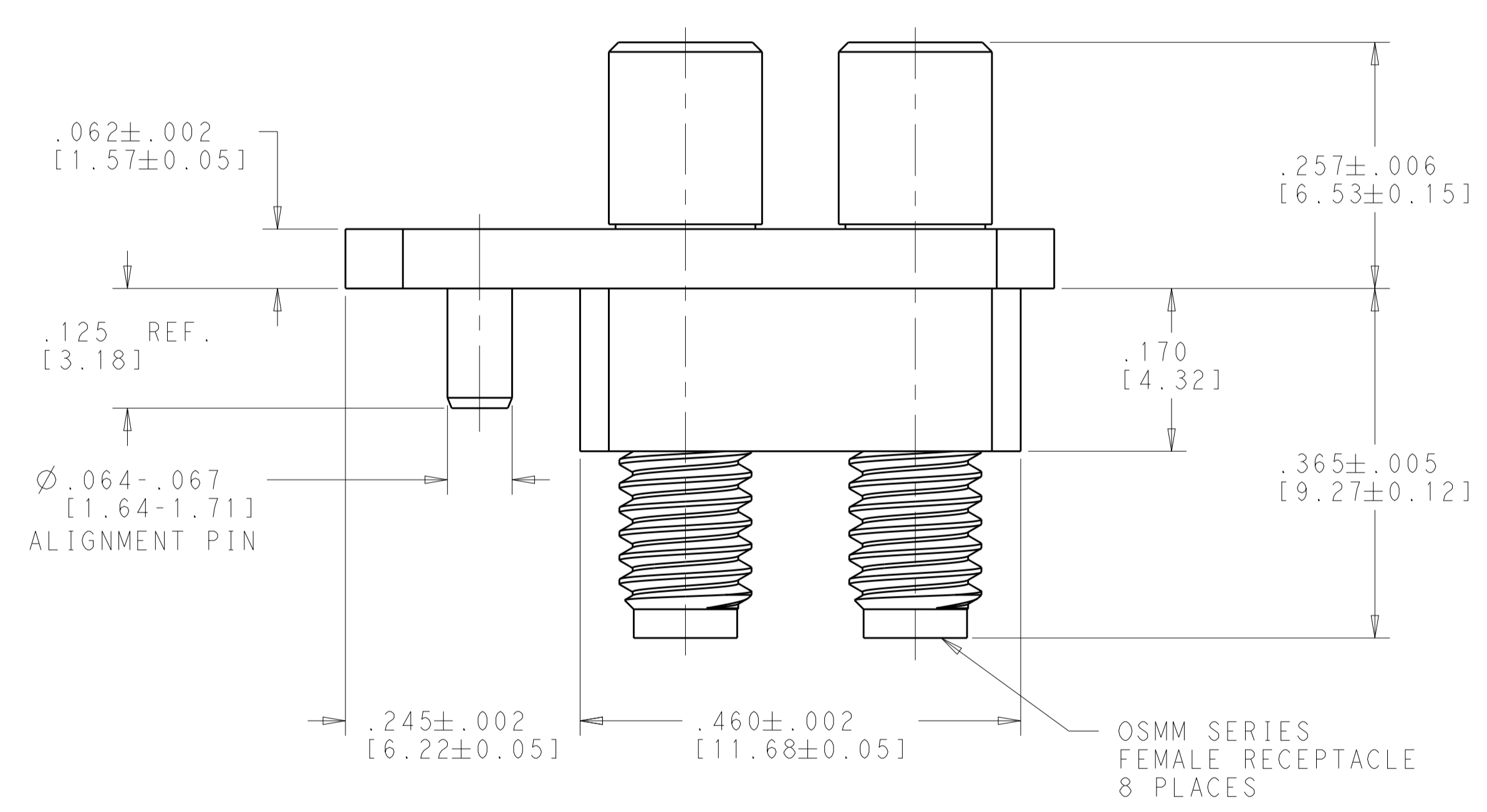
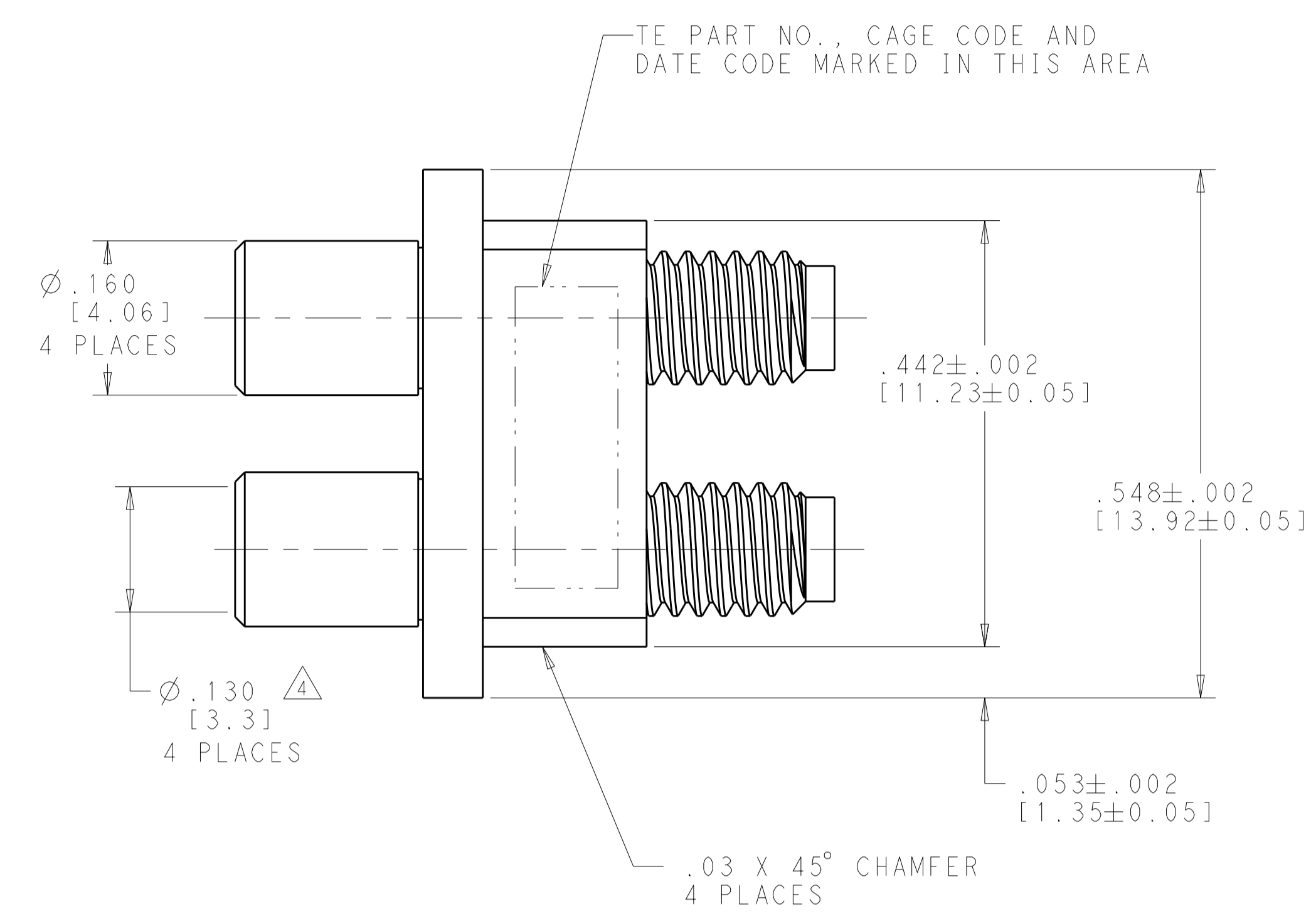
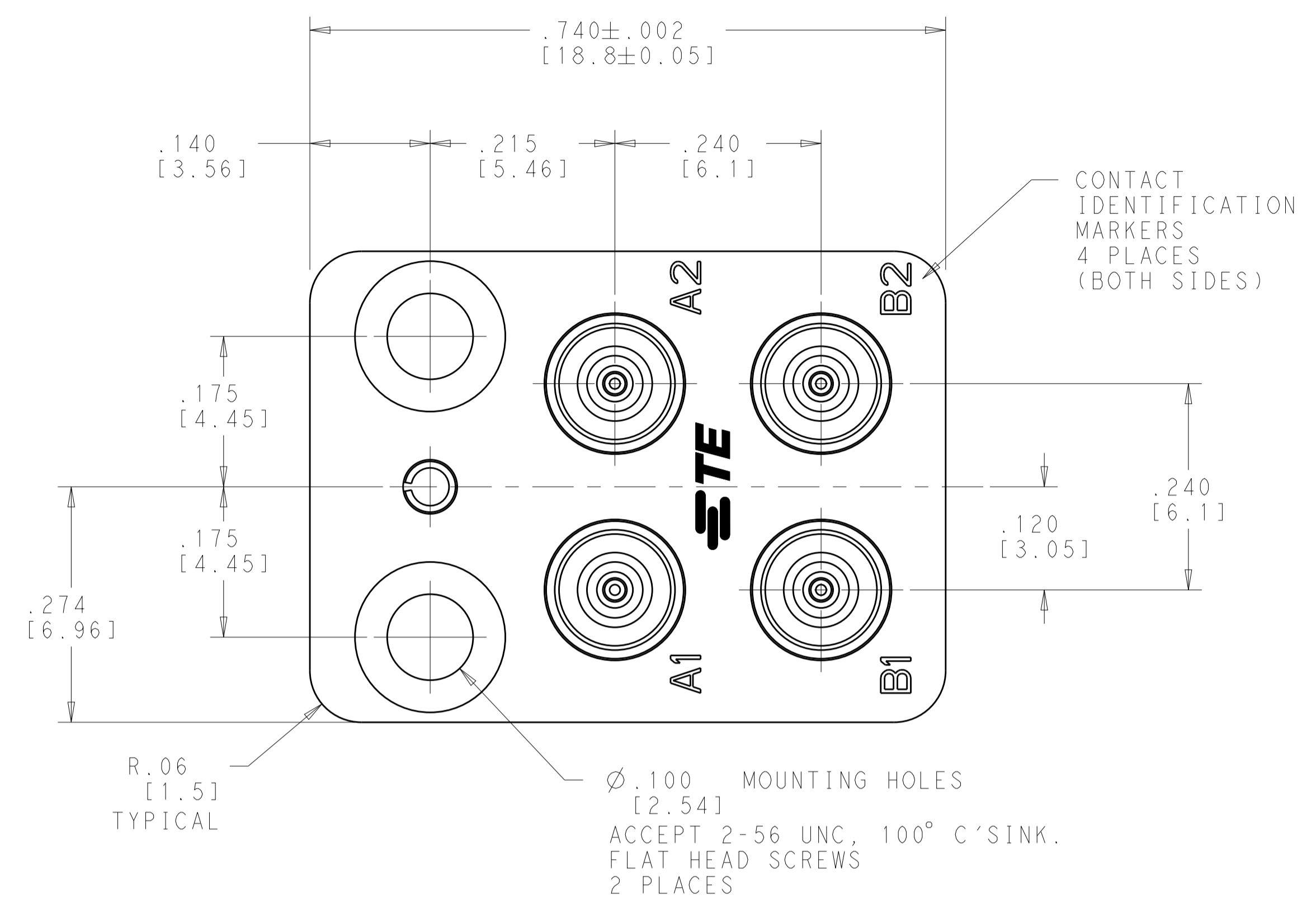


LOC	DIST	REV	DATE	BY	CHK	APPV
-	-	G	2-21-12	CT	WM	
-	-	H	24NOV2015	RS	CT	



- 1 MATERIAL:  
SMOOTHBORE SMPM CONNECTOR BODY & CENTER CONTACT - BERYLLIUM COPPER, ALLOY UNS C17300 CONDITION TDO4, PER ASTM B196  
INSULATORS - TEFLON (PTFE) ROD, PER ASTM D 1710  
MODULE BODY - STAINLESS STEEL, PER UNS 30300  
SLOTTED SPRING PIN - NICKEL STAINLESS STEEL
- 2 FINISH:  
MODULE BODY, CONNECTOR BODIES AND CENTER CONTACTS - GOLD PLATE OVER NICKEL  
SLOTTED SPRING PIN - PASSIVATED
- 3 FINISH:  
MODULE BODY, OSSM CONNECTOR & SLOTTED SPRING PIN - PASSIVATED  
SMOOTHBORE SMPM CONNECTOR BODY & CENTER CONTACT - GOLD PLATED OVER NICKEL
- 4 SMPM MALE SMOOTH BORE INTERFACE PER MIL-STD-348, EXCEPT AS NOTED

	3	2101510-2
OBSOLETE	2	2101510-1
	SURFACE FINISH	PART NUMBER

THIS DRAWING IS A CONTROLLED DOCUMENT. DWG: S T Morley 19AUG2009, CHK: S T Morley 19AUG2009, APPV: S T Morley 19AUG2009.

**STE** TE Connectivity

NAME: 4 POSITION P.C.B. MOUNT R.F. MODULE SMPM SMOOTH BORE (M) TO OSSM (F) VITA 67, BACKPLANE

SIZE: A1, CAGE CODE: 00779, DRAWING NO: 2101510, RESTRICTED TO: -

MATERIAL: SEE TABLE, FINISH: SEE TABLE, WEIGHT: -, CUSTOMER DRAWING, SCALE: 8:1, SHEET: 1 OF 1, REV: H

## X-ON Electronics

Largest Supplier of Electrical and Electronic Components

*Click to view similar products for [RF Connectors / Coaxial Connectors](#) category:*

*Click to view products by [TE Connectivity](#) manufacturer:*

Other Similar products are found below :

[8915-1511-000](#) [89674-0827](#) [6001-7071-019](#) [6002-7051-003](#) [6002-7551-202](#) [6059674-1](#) [619550-1](#) [630059-000](#) [M39030/3-01N](#) [6500-7071-046](#) [6769](#) [CX050L2AQ](#) [7002-1541-010](#) [7002-1542-011](#) [7004-1512-000](#) [7009-1511-004](#) [7010-1511-000](#) [7029-1511-060](#) [7101-1541-010](#) [7101-1571-002](#) [7105-1521-002](#) [7145-1521-002](#) [7203-1571-003](#) [7209-1511-011](#) [7210-1511-015](#) [7210-1511-019](#) [73137-5015](#) [73216-2241](#) [73404-2300](#) [7405-1521-005](#) [7405-1521-802](#) [8527](#) [8547](#) [FS11V](#) [877931](#) [9049-9513-000](#) [9074-9513-000](#) [9101-9573-002](#) [910A205F](#) [9130-9573-002](#) [PL11SC-026](#) [PL375-33](#) [PL40-5](#) [PL74C-221](#) [PL75MC-217](#) [PL803-7](#) [1200690078](#) [1-201144-1](#) [R107003010W](#) [R110A172100](#)