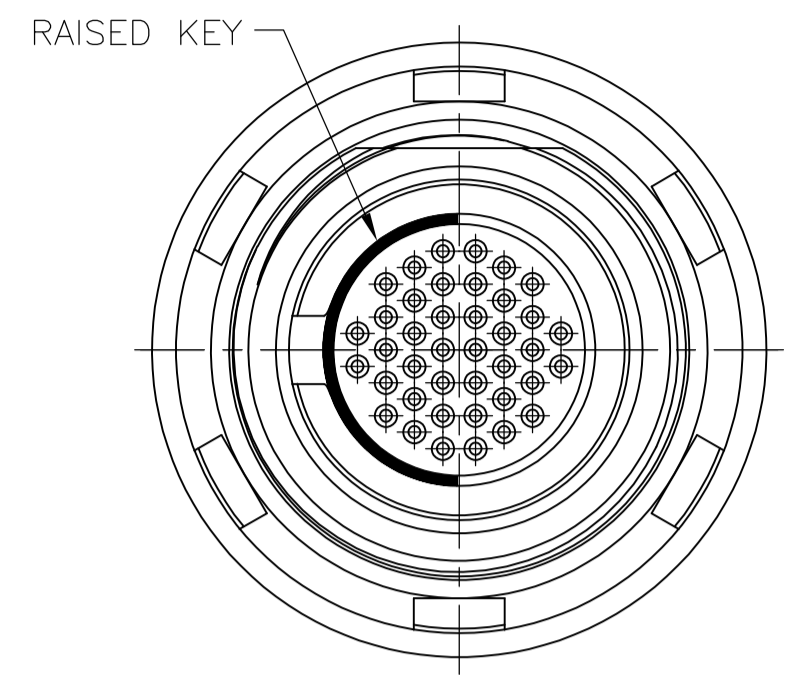
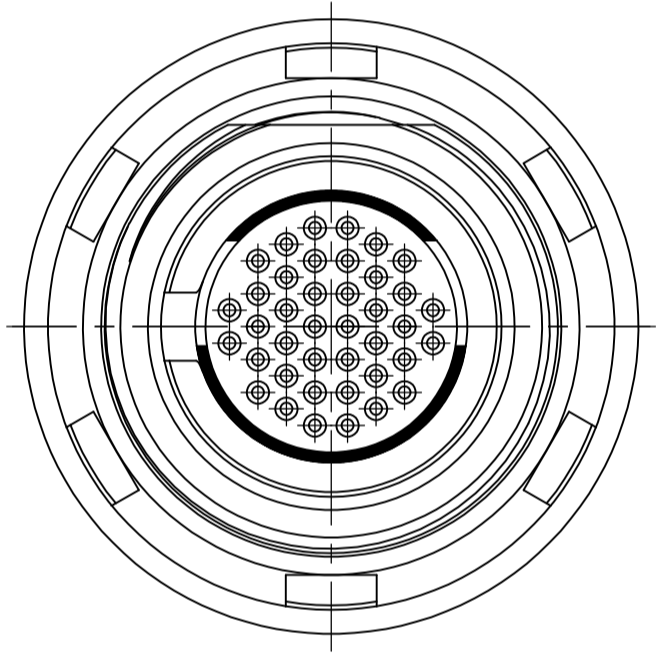


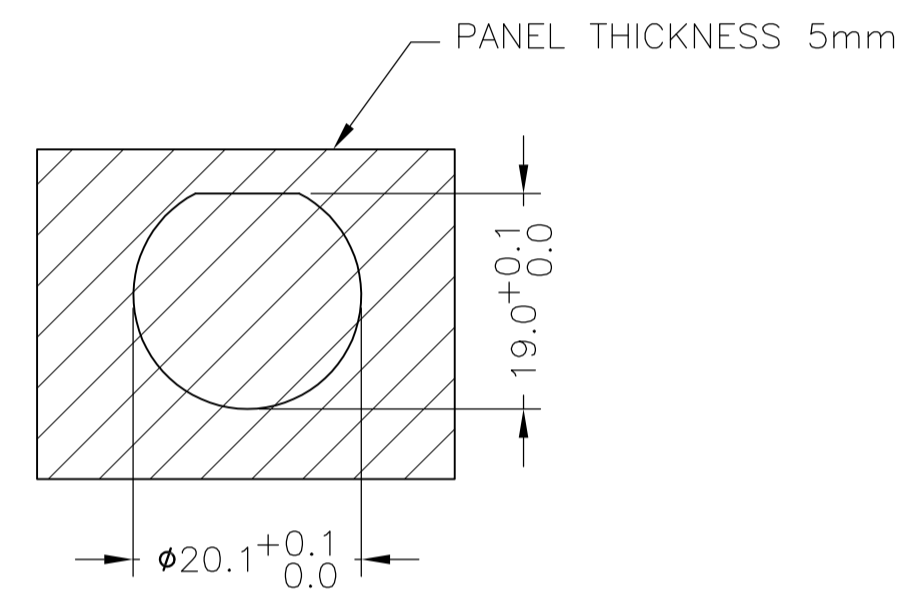
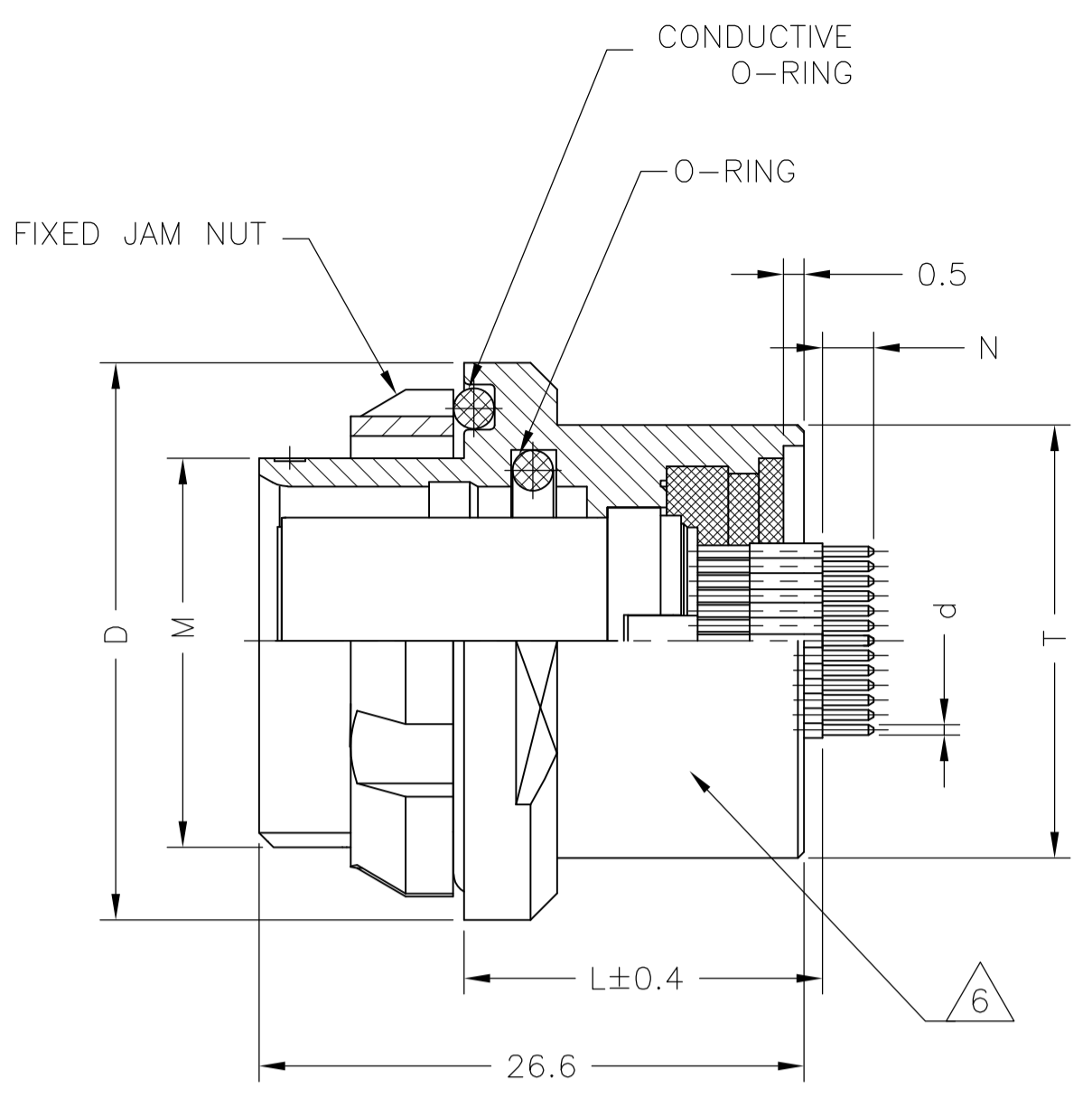
LOC		DIST		REVISIONS			
P	LTR	DESCRIPTION	DATE	DN	APVD		
C		REVISED PER ECO 13-001843.	08FEB2013	MGM	CT		



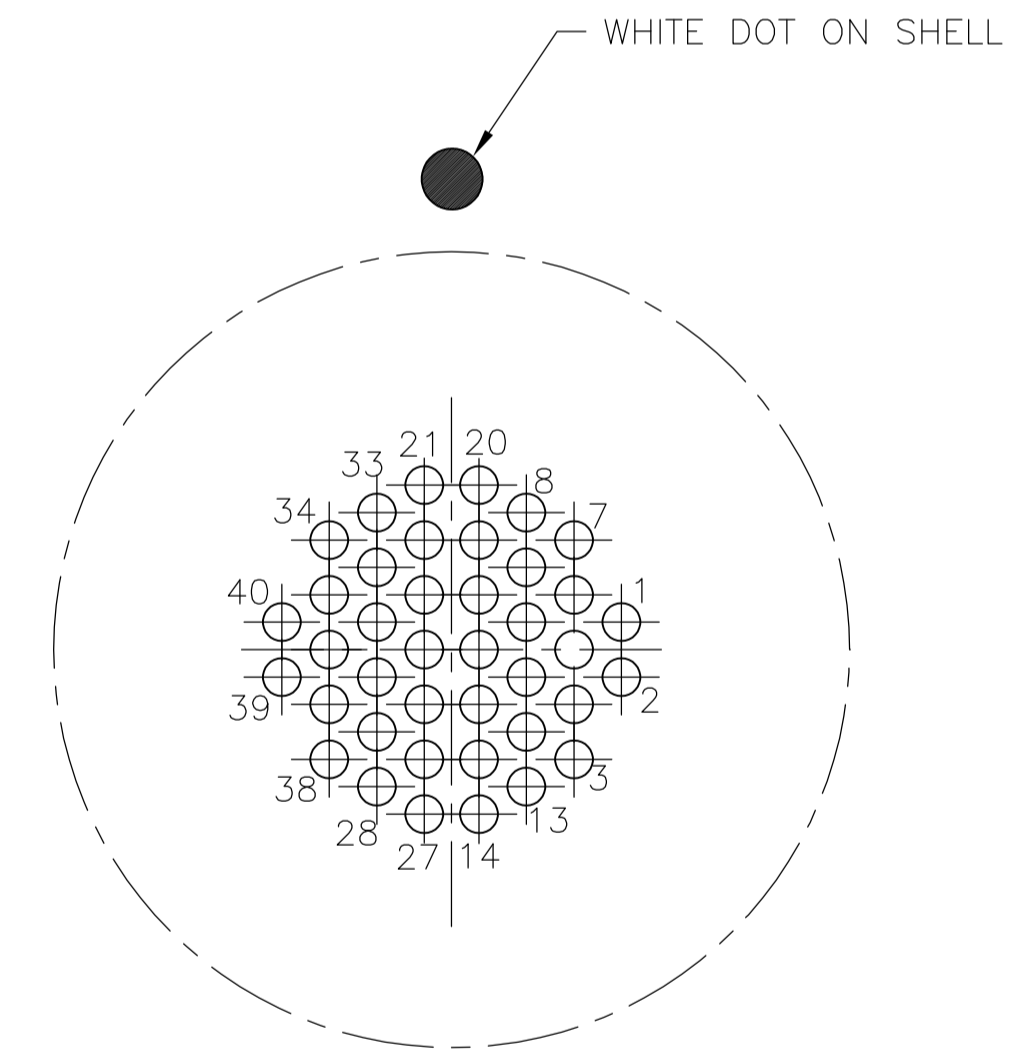
SINGLE POLARIZATION



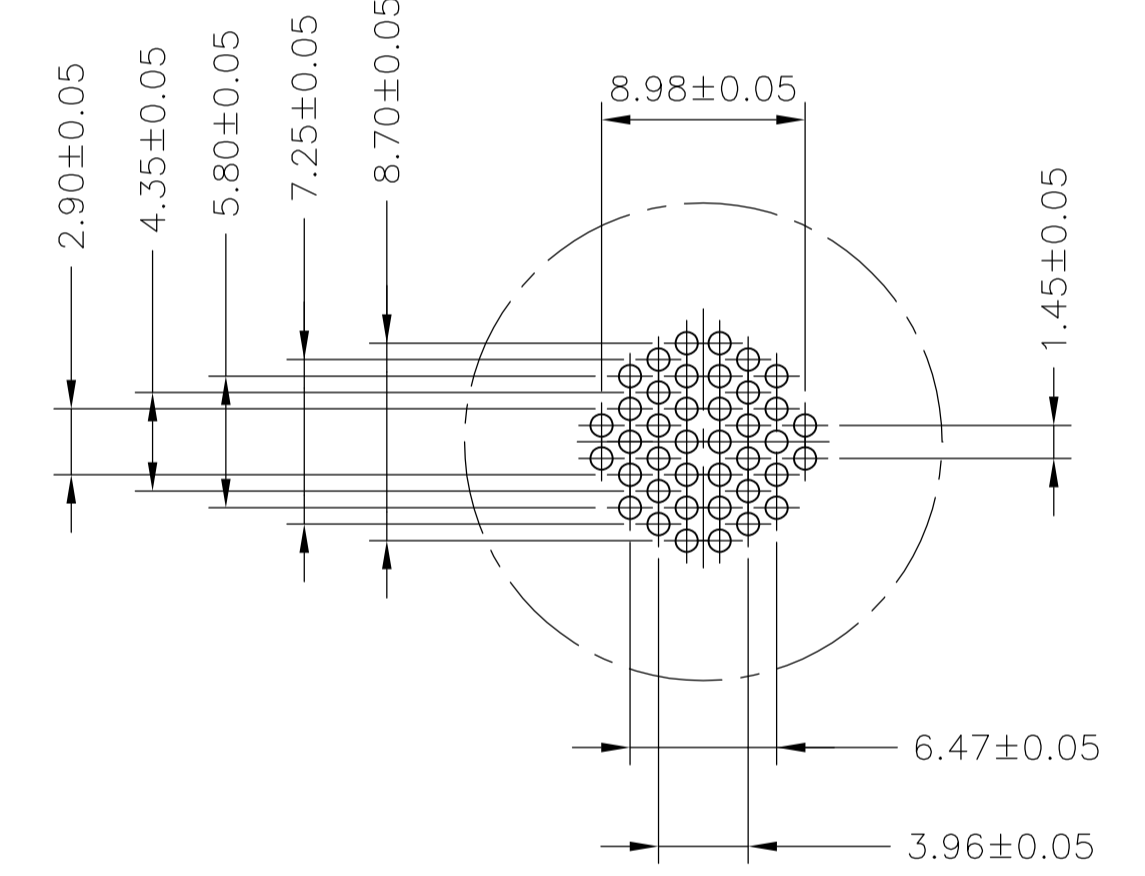
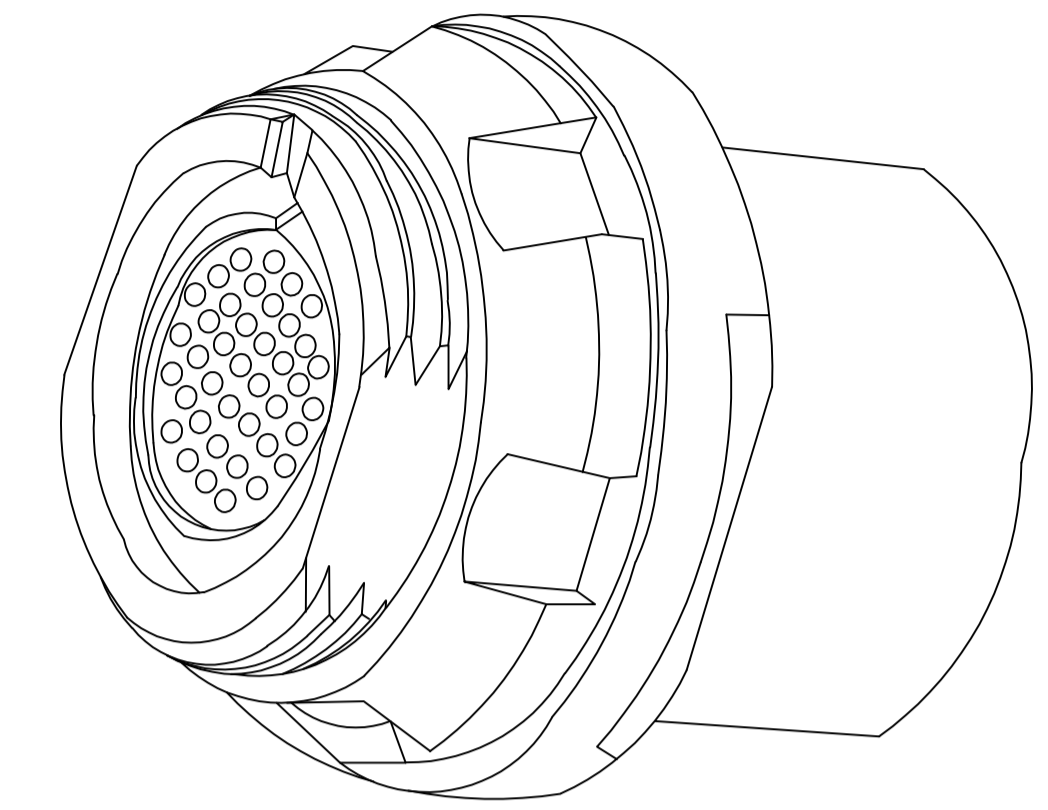
DOUBLE POLARIZATION



PANEL CUTOUT



CAVITY IDENTIFICATION WHEN VIEWED FROM REAR OF CONNECTOR



CONTACT HOLE PATTERNS FOR PCB MOUNT

- DWV RATING 725VAC @ SEA LEVEL
- WORKING TEMPERATURE: -55°C ~ +125°C

3 MATERIAL:  
 CONTACT : COPPER ALLOY  
 SHELL : COPPER ALLOY  
 INSULATOR : PEEK  
 O RING : SILICON RUBBER

4 FINISH  
 CONTACT: GOLD OVER NICKEL  
 SHELL : BLACK CHROMIUM

5. WATER PROOF: 1M IMMERSION

6 PART IS MARKED WITH THE TE PART NUMBER, CHINA, DATE CODE AND LOT I.D.

7 ALL TOLERANCE TO BE ±0.20 MM UNLESS NOTED.

CHROMIUM-BLACK	DOUBLE	SOLDERING	2.54	∅0.5	17.25	∅21.05	M20X1	∅27.1	5	2101549-2
CHROMIUM-BLACK	SINGLE	SOLDERING	2.54	∅0.5	17.25	∅21.05	M20X1	∅27.1	5	2101549-1
FINISH	POLARIZATION	TERMINATION	N	d	L	T	THREAD	D	SHELL SIZE	TE PART NUMBER

THIS DRAWING IS A CONTROLLED DOCUMENT.

DIMENSIONS: mm	TOLERANCES UNLESS OTHERWISE SPECIFIED:	DIN C.C. THOMAS 20AUG2009	DRW R. GROSS 20AUG2009	NAME
0 PLC ± -	1 PLC ± ±	2 PLC ± ± 0.20	3 PLC ± ±	4 PLC ± ±
ANGLES ± °	FINISH	APPROVED R. GROSS 20AUG2009	PRODUCT SPEC	108-127005
MATERIAL 3	FINISH 4	APPLICATION SPEC	SIZE	CAGE CODE
		WEIGHT	A1	00779
		CUSTOMER DRAWING	SCALE	NTS
			SHEET	1 OF 1
			REV	C

STE TE Connectivity

CIRCULAR HD RECEPTACLE WITH SOCKET CONTACT, JAM NUT, STRAIGHT PCB 40 POS.

SIZE: A1 00779 C=2101549

## X-ON Electronics

Largest Supplier of Electrical and Electronic Components

*Click to view similar products for [Circular Push Pull Connectors](#) category:*

*Click to view products by [TE Connectivity](#) manufacturer:*

Other Similar products are found below :

[6407-249V-11273P](#) [6408-201V-13273](#) [6408-202V-13343](#) [6408-202V-17343](#) [EZG.0B.309.CLN](#) [FFA.2S.310.ZLA](#) [FGA.1B.307.CYCD72Z](#)  
[FGJ.1B.304.CLLD76](#) [FGJ.1B.306.CWLD72](#) [FGJ.3B.304.CYMD10Z](#) [FGJ.3B.304.CYMD82Z](#) [FHG.1B.303.CYCZ](#) [PCS.01.250.DLLE24](#)  
[PHG.0K.305.CYMC40Z](#) [PHG.1K.308.CLLK85](#) [PKG.M0.6BL.LZ](#) [PLC.M1.0SL.LA](#) [GMA.10.290.DN](#) [GMA.3B.090.DA](#)  
[PRG.M0.6GL.LC52GZ](#) [PSA.1S.275.CTLC66](#) [ABF.1S.250.NTA](#) [133020F](#) [1331ER193MZ](#) [1332M107MZ](#) [DTS26Z19-32JA-LC](#) [DTS26Z19-](#)  
[32SA](#) [DTS26Z19-32SA-LC](#) [EAJ.1B.306.CWA](#) [ECG.XB.312.CLL](#) [1589430-2](#) [ELF.00.250.NTL](#) [BRR.2S.200.PZVG](#) [HR10A-P](#)  
[CAH.M34.SLL.C72GZ](#) [CAJ.M34.SLL.C72GZ](#) [300500](#) [EXG.0B.309.HLN](#) [FFB.1S.250.CLAC27](#) [FGA.2B.306.CYCD92](#)  
[FGA.2B.306.CYCD92Z](#) [FGJ.3B.308.CLLD72Z](#) [FHG.1B.303.CYCD62](#) [FLC.00.250.CTAC27](#) [FLC.00.250.CTAC31](#) [PCS.01.250.DLLE31](#)  
[PKA.M1.0TL.LG](#) [PKC.M0.7GL.NG](#) [PKG.M0.4TL.LZ](#) [GMA.2B.045.RG](#)