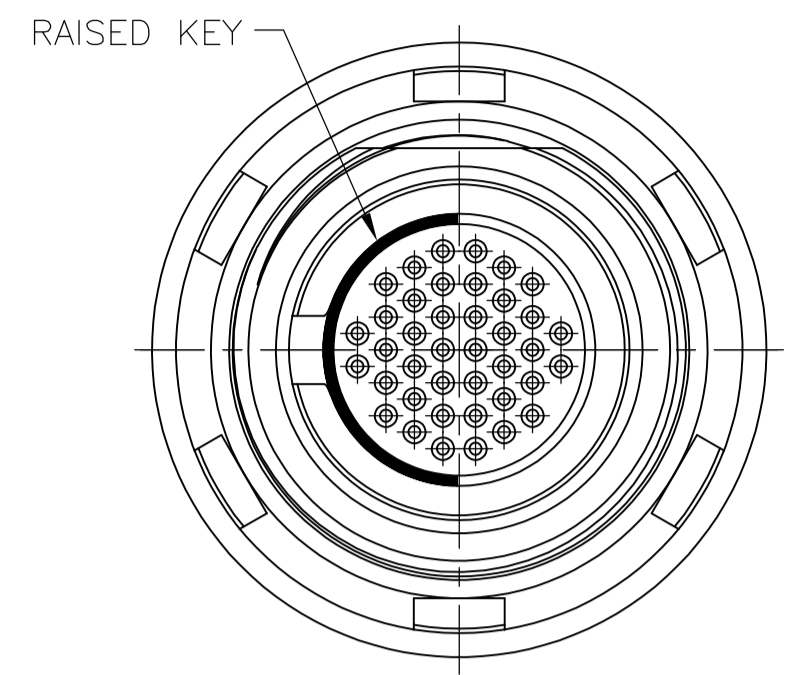
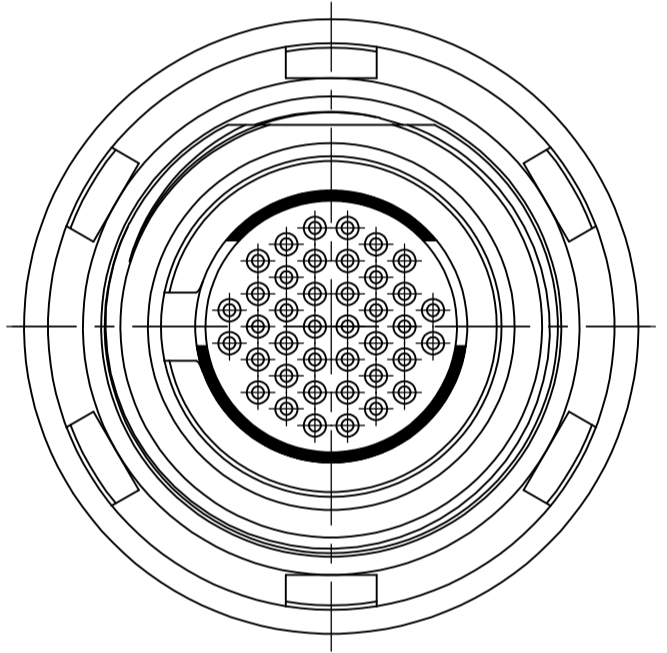


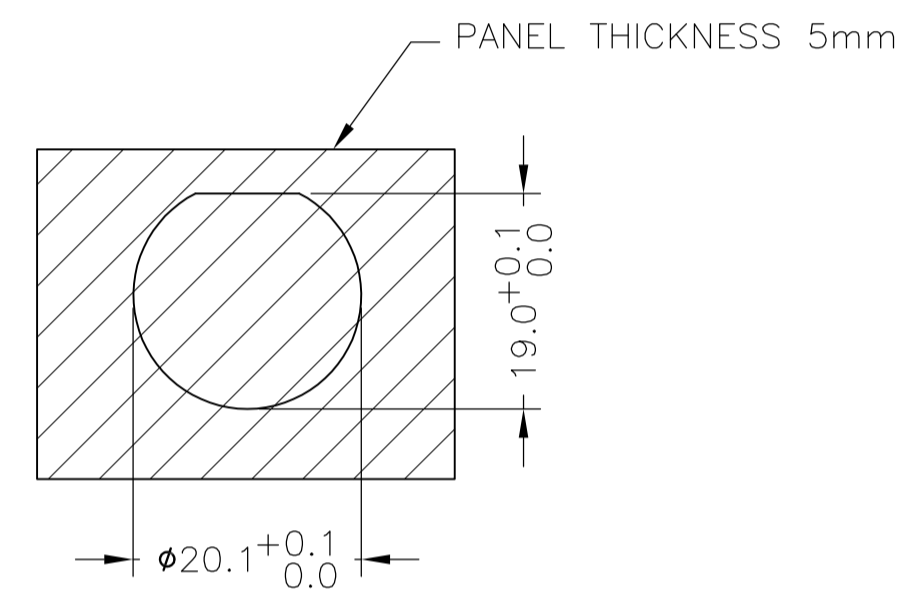
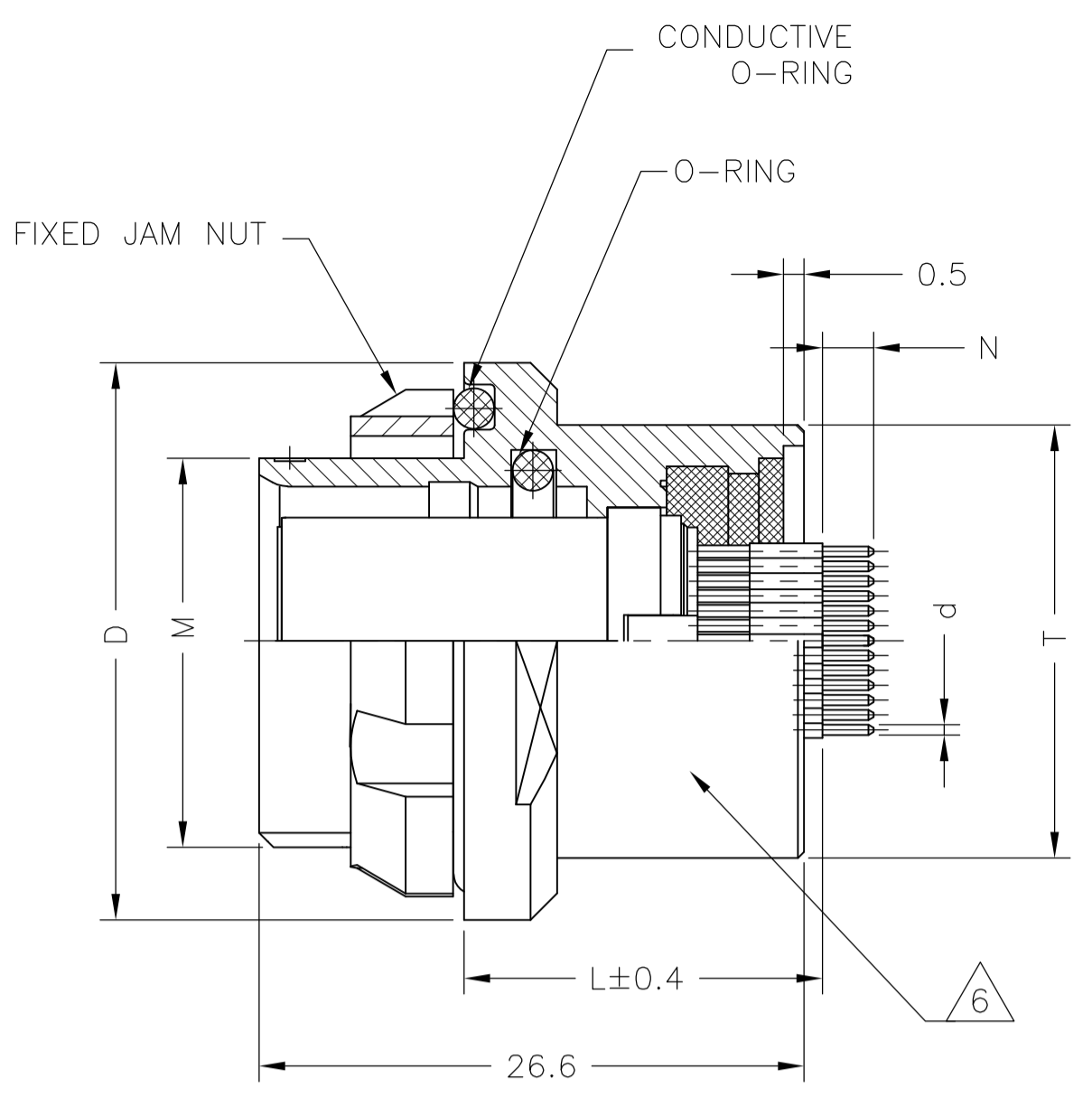
| LOC | | DIST | | REVISIONS | | | |
|-----|-----|----------------------------|-----------|-----------|------|--|--|
| P | LTR | DESCRIPTION | DATE | DNW | APVD | | |
| C | | REVISED PER ECO 13-001843. | 08FEB2013 | MGM | CT | | |



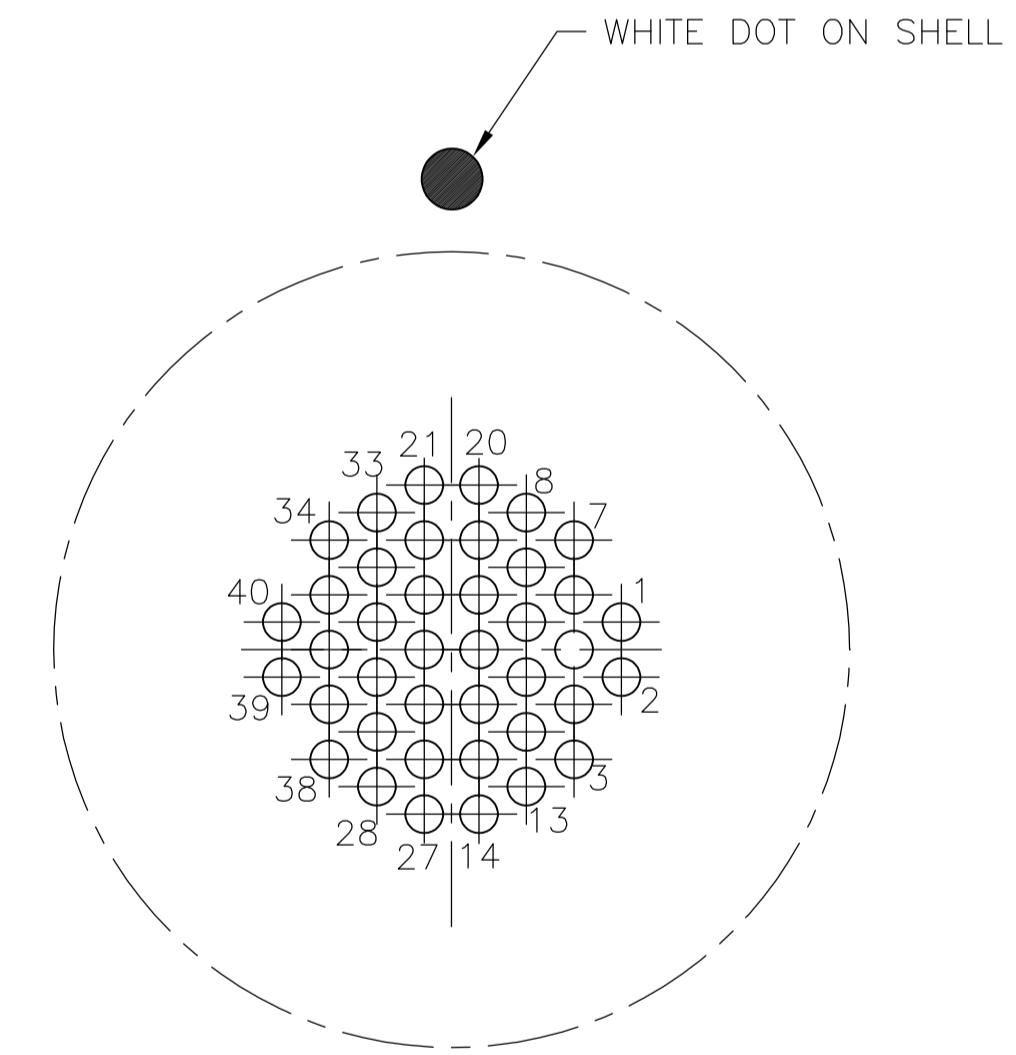
SINGLE POLARIZATION



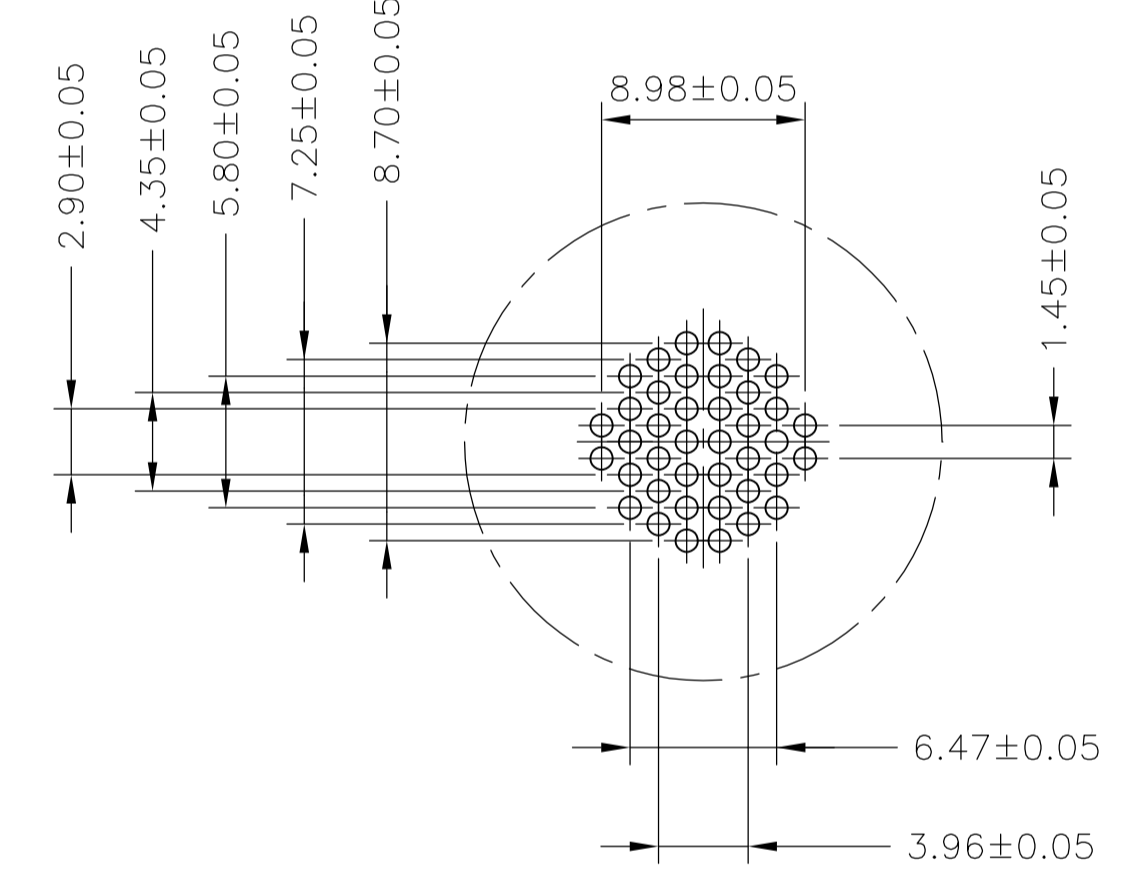
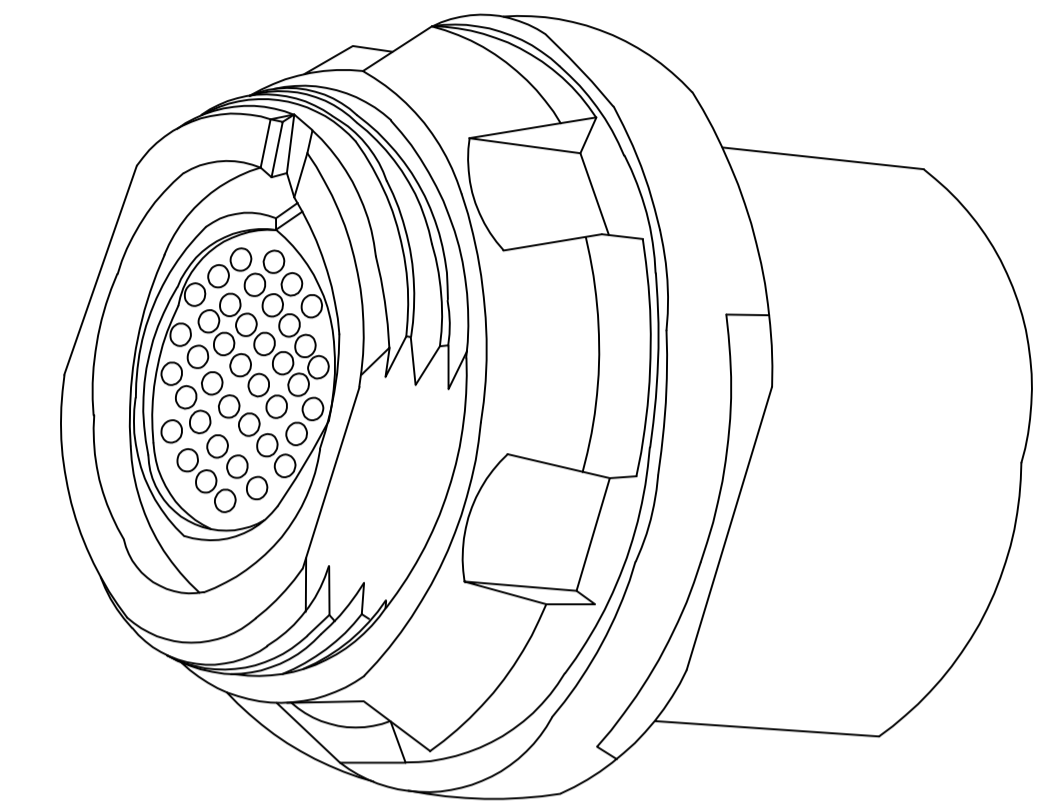
DOUBLE POLARIZATION



PANEL CUTOUT



CAVITY IDENTIFICATION WHEN VIEWED FROM REAR OF CONNECTOR



CONTACT HOLE PATTERNS FOR PCB MOUNT

- DWV RATING 725VAC @ SEA LEVEL
- WORKING TEMPERATURE: -55°C ~ +125°C

3 MATERIAL:
 CONTACT : COPPER ALLOY
 SHELL : COPPER ALLOY
 INSULATOR : PEEK
 O RING : SILICON RUBBER

4 FINISH
 CONTACT: GOLD OVER NICKEL
 SHELL : BLACK CHROMIUM

5. WATER PROOF: 1M IMMERSION

6 PART IS MARKED WITH THE TE PART NUMBER, CHINA, DATE CODE AND LOT I.D.

7 ALL TOLERANCE TO BE ±0.20 MM UNLESS NOTED.

| | | | | | | | | | | |
|----------------|--------------|-------------|------|------|-------|--------|--------|-------|------------|----------------|
| CHROMIUM-BLACK | DOUBLE | SOLDERING | 2.54 | ∅0.5 | 17.25 | ∅21.05 | M20X1 | ∅27.1 | 5 | 2101549-2 |
| CHROMIUM-BLACK | SINGLE | SOLDERING | 2.54 | ∅0.5 | 17.25 | ∅21.05 | M20X1 | ∅27.1 | 5 | 2101549-1 |
| FINISH | POLARIZATION | TERMINATION | N | d | L | T | THREAD | D | SHELL SIZE | TE PART NUMBER |

THIS DRAWING IS A CONTROLLED DOCUMENT.

| | | | |
|----------------|--|---------------------------|------------------------------|
| DIMENSIONS: mm | TOLERANCES UNLESS OTHERWISE SPECIFIED: | DIN C.C. THOMAS 20AUG2009 | DRW R. GROSS 20AUG2009 |
| 0 PLC ± - | 1 PLC ± ± | APVD R. GROSS 20AUG2009 | NAME 108-127005 |
| 2 PLC ± ± 0.20 | 3 PLC ± ± | PRODUCT SPEC | APPLICATION SPEC |
| 4 PLC ± ± | ANGLES ± ° | SIZE | CAGE CODE |
| MATERIAL 3 | FINISH 4 | WEIGHT | DRAWING NO. A1 00779 |
| | | CUSTOMER DRAWING | SCALE NTS SHEET 1 OF 1 REV C |

STE TE Connectivity
 CIRCULAR HD RECEPTACLE WITH SOCKET CONTACT, JAM NUT, STRAIGHT PCB 40 POS.

X-ON Electronics

Largest Supplier of Electrical and Electronic Components

Click to view similar products for [Circular Push Pull Connectors](#) category:

Click to view products by [TE Connectivity](#) manufacturer:

Other Similar products are found below :

[6407-249V-11273P](#) [6408-201V-13273](#) [6408-202V-13343](#) [6408-202V-17343](#) [EZG.0B.309.CLN](#) [FFA.2S.310.ZLA](#) [FGA.1B.307.CYCD72Z](#)
[FGJ.1B.304.CLLD76](#) [FGJ.1B.306.CWLD72](#) [FGJ.3B.304.CYMD82Z](#) [FHG.1B.303.CYCZ](#) [PCS.01.250.DLLE24](#) [PHG.0K.305.CYMC40Z](#)
[PHG.1K.308.CLLK85](#) [PHG.2K.310.CYMC60Z](#) [PHG.2K.310.CYMC85Z](#) [PKG.M0.6BL.LZ](#) [PLC.M1.0SL.LA](#) [GMA.10.290.DN](#)
[GMA.3B.090.DA](#) [PRG.M0.6GL.LC52GZ](#) [PSA.1S.275.CTLC66](#) [ABF.1S.250.NTA](#) [133020F](#) [1331ER193MZ](#) [1332M107MZ](#)
[EAJ.1B.306.CWA](#) [ECG.XB.312.CLL](#) [1589430-2](#) [ELF.00.250.NTL](#) [BRR.2S.200.PZVG](#) [HR10A-P](#) [CAH.M34.SLL.C72GZ](#)
[CAJ.M34.SLL.C72GZ](#) [300500](#) [EXG.0B.309.HLN](#) [FFA.2E.302.CLAC80Z](#) [FFB.1S.250.CLAC27](#) [FGA.2B.306.CYCD92Z](#)
[FGJ.2B.302.CYMD62Z](#) [FGJ.2B.307.CLLD99](#) [FGJ.3B.308.CLLD72Z](#) [FHG.1B.303.CYCD62](#) [FLC.00.250.CTAC31](#) [PCS.01.250.DLLE31](#)
[PHG.2K.310.CYMC80](#) [PKA.M1.0TL.LG](#) [PKC.M0.7GL.NG](#) [PKG.M0.4TL.LZ](#) [PPG.M1.0GG.N](#)