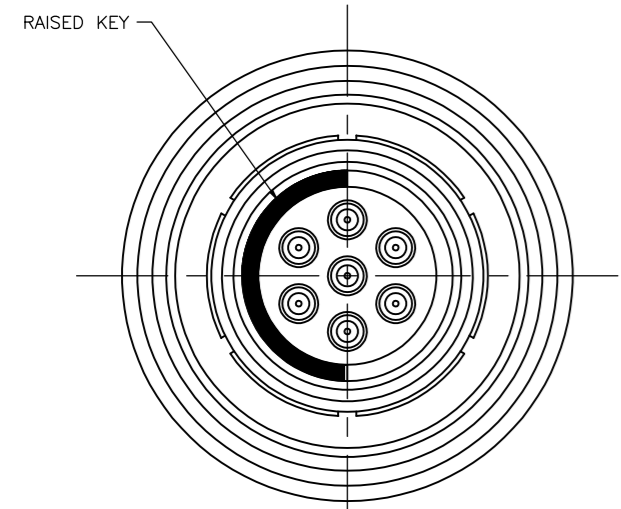
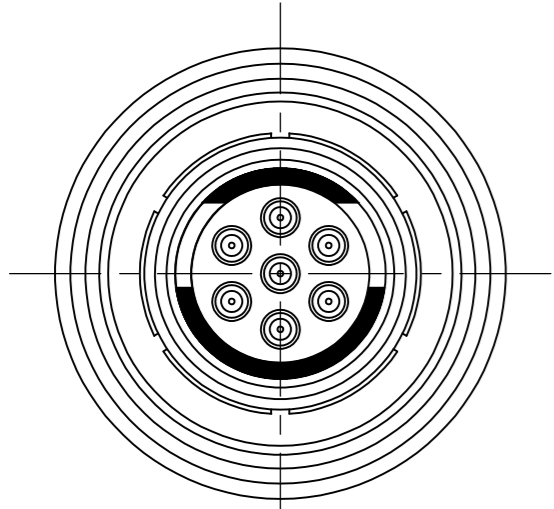


THIS DRAWING IS UNPUBLISHED. RELEASED FOR PUBLICATION
 © COPYRIGHT - By - ALL RIGHTS RESERVED.

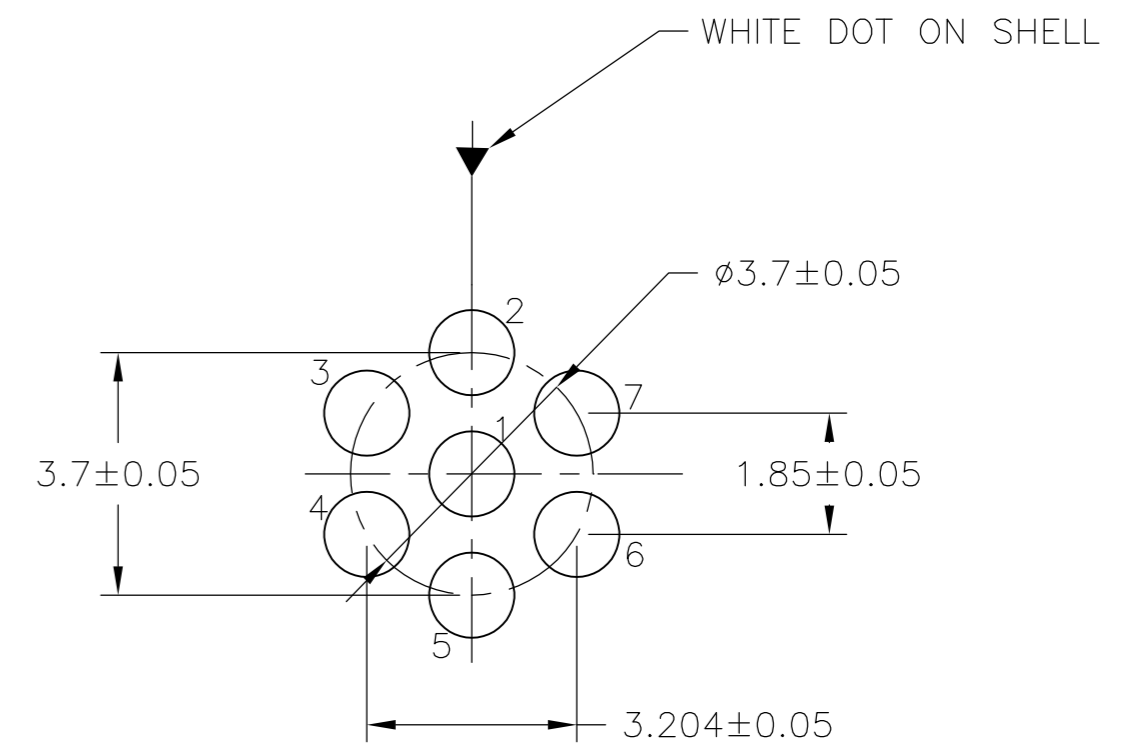
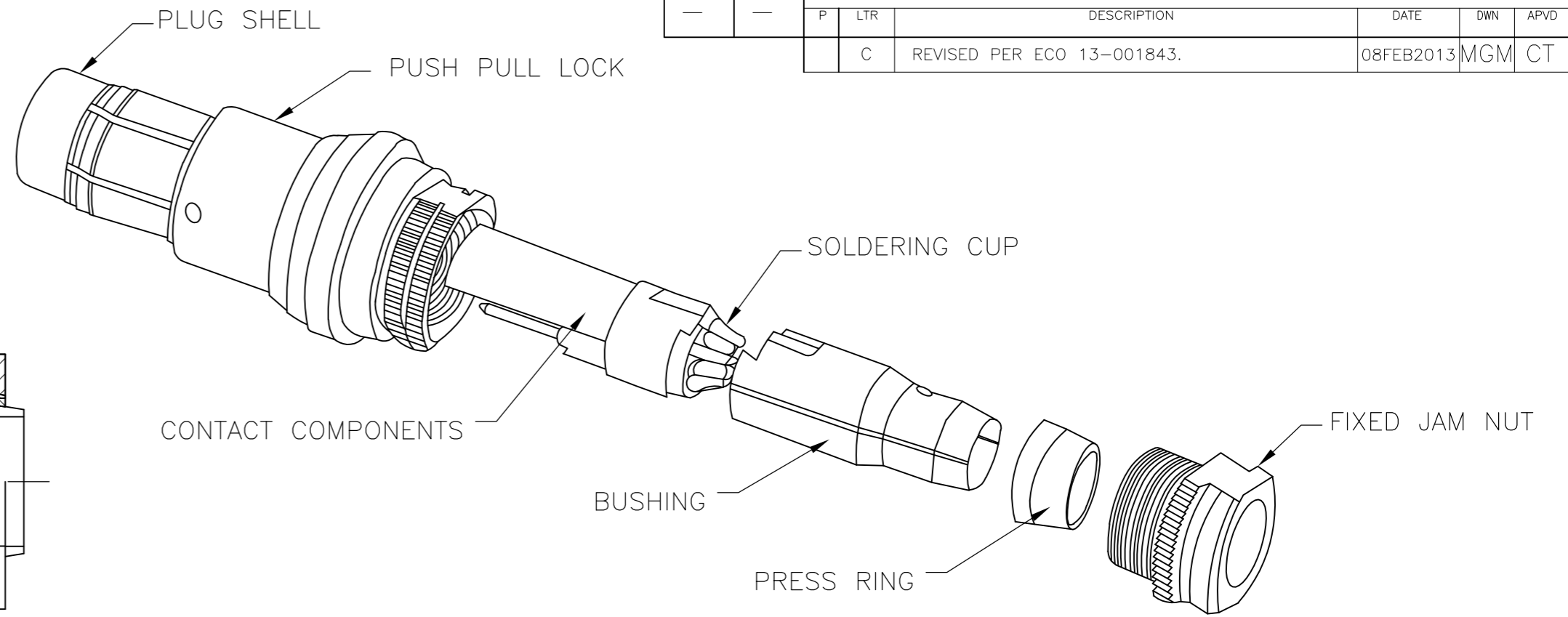
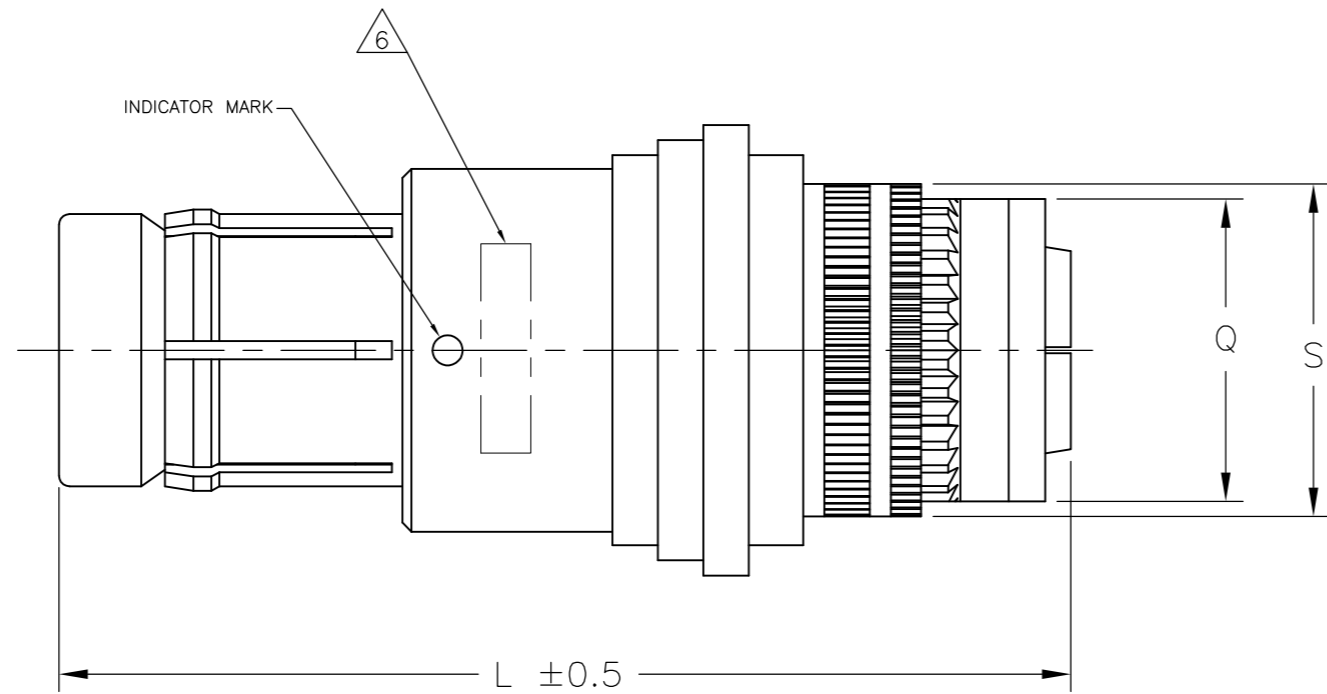
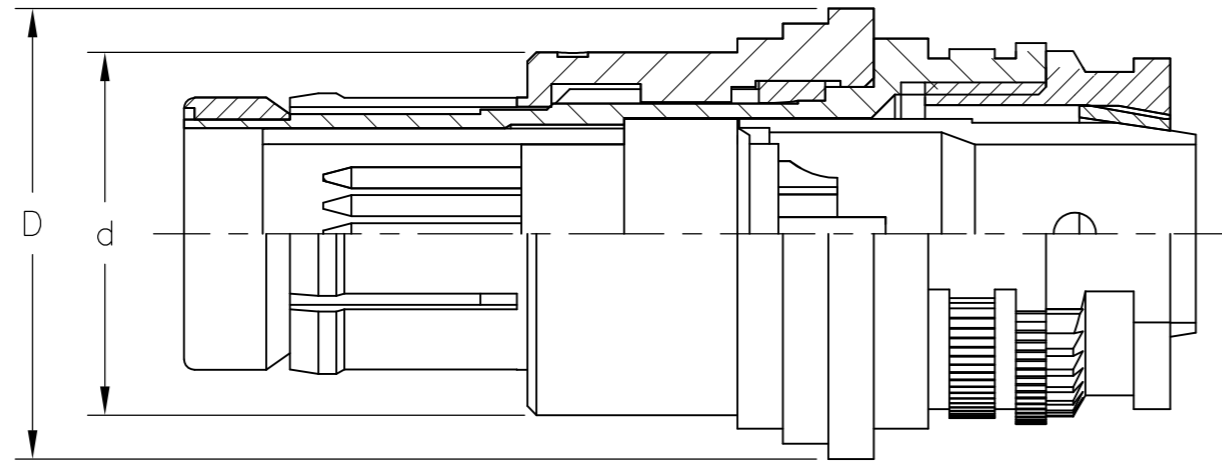
LOC		DIST		REVISIONS			
P	LTR	DESCRIPTION	DATE	DWN	APVD		
C		REVISED PER ECO 13-001843.	08FEB2013	MGM	CT		



SINGLE POLARIZATION



DOUBLE POLARIZATION



CAVITY IDENTIFICATION WHEN VIEWED FROM REAR OF CONNECTOR

- 1. DWV RATING 875 VAC @ SEA LEVEL
- 2. WIRE SIZE: 24 AWG MAX
- 3. WORKING TEMPERATURE: -55°C ~ +125°C

4 MATERIAL:
 CONTACT : COPPER ALLOY
 SHELL : COPPER ALLOY
 INSULATOR : PEEK

5 FINISH
 CONTACT: GOLD OVER NICKEL
 SHELL : BLACK CHROMIUM

6 PART IS MARKED WITH TE PART NUMBER, CHINA, DATE CODE AND LOT I.D.

7 ALL TOLERANCES TO BE ±0.20 MM UNLESS NOTED.

CHROMIUM-BLACK	DOUBLE	SOLDERING	10	11	33.45	∅12	∅14.9	2	2101550-2
CHROMIUM-BLACK	SINGLE	SOLDERING	10	11	33.45	∅12	∅14.9	2	2101550-1
FINISH	POLARIZATION	TERMINATION	Q	S	L	d	D	SHELL SIZE	TE PART NUMBER

THIS DRAWING IS A CONTROLLED DOCUMENT.

DIMENSIONS: mm	TOLERANCES UNLESS OTHERWISE SPECIFIED:	DWN: C.C THOMAS 21AUG2009	 TE Connectivity CIRCULAR HD PLUG WITH PINS, SOLDER CUP 7 POS.
	0 PLC ± -	CHK: R. GROSS 21AUG2009	
	1 PLC ± -	APVD: R. GROSS 21AUG2009	
	2 PLC ± 0.20	PRODUCT SPEC: 108-127005	
	3 PLC ± -	APPLICATION SPEC: -	SIZE: A2
	4 PLC ± -	WEIGHT: -	CAGE CODE: 00779
	ANGLES ± 3°	CUSTOMER DRAWING	DRAWING NO: C=2101550
MATERIAL: 4	FINISH: 5	SCALE: NTS	SHEET: 1 of 1
		RESTRICTED TO: -	REV: C

X-ON Electronics

Largest Supplier of Electrical and Electronic Components

Click to view similar products for [Circular Push Pull Connectors](#) category:

Click to view products by [TE Connectivity](#) manufacturer:

Other Similar products are found below :

[6407-249V-11273P](#) [6408-201V-13273](#) [6408-202V-13343](#) [6408-202V-17343](#) [EZG.0B.309.CLN](#) [FFA.2S.310.ZLA](#) [FGA.1B.307.CYCD72Z](#)
[FGJ.1B.304.CLLD76](#) [FGJ.1B.306.CWLD72](#) [FGJ.3B.304.CYMD82Z](#) [FHG.1B.303.CYCZ](#) [PCS.01.250.DLLE24](#) [PHG.0K.305.CYMC40Z](#)
[PHG.1K.308.CLLK85](#) [PKG.M0.6BL.LZ](#) [PLC.M1.0SL.LA](#) [GMA.10.290.DN](#) [GMA.3B.090.DA](#) [PRG.M0.6GL.LC52GZ](#) [PSA.1S.275.CTLC66](#)
[ABF.1S.250.NTA](#) [133020F](#) [1331ER193MZ](#) [1332M107MZ](#) [EAJ.1B.306.CWA](#) [ECG.XB.312.CLL](#) [1589430-2](#) [ELF.00.250.NTL](#)
[BRR.2S.200.PZVG](#) [HR10A-P](#) [CAH.M34.SLL.C72GZ](#) [CAJ.M34.SLL.C72GZ](#) [300500](#) [EXG.0B.309.HLN](#) [FFA.2E.302.CLAC80Z](#)
[FFB.1S.250.CLAC27](#) [FGA.2B.306.CYCD92Z](#) [FGJ.2B.302.CYMD62Z](#) [FGJ.2B.307.CLLD99](#) [FGJ.3B.308.CLLD72Z](#) [FHG.1B.303.CYCD62](#)
[FLC.00.250.CTAC31](#) [PCS.01.250.DLLE31](#) [PHG.2K.310.CYMC80](#) [PKA.M1.0TL.LG](#) [PKC.M0.7GL.NG](#) [PKG.M0.4TL.LZ](#) [PPG.M1.0GG.N](#)
[PRG.M0.4GL.LC39GZ](#) [PXG.M0.8GG.NG](#)