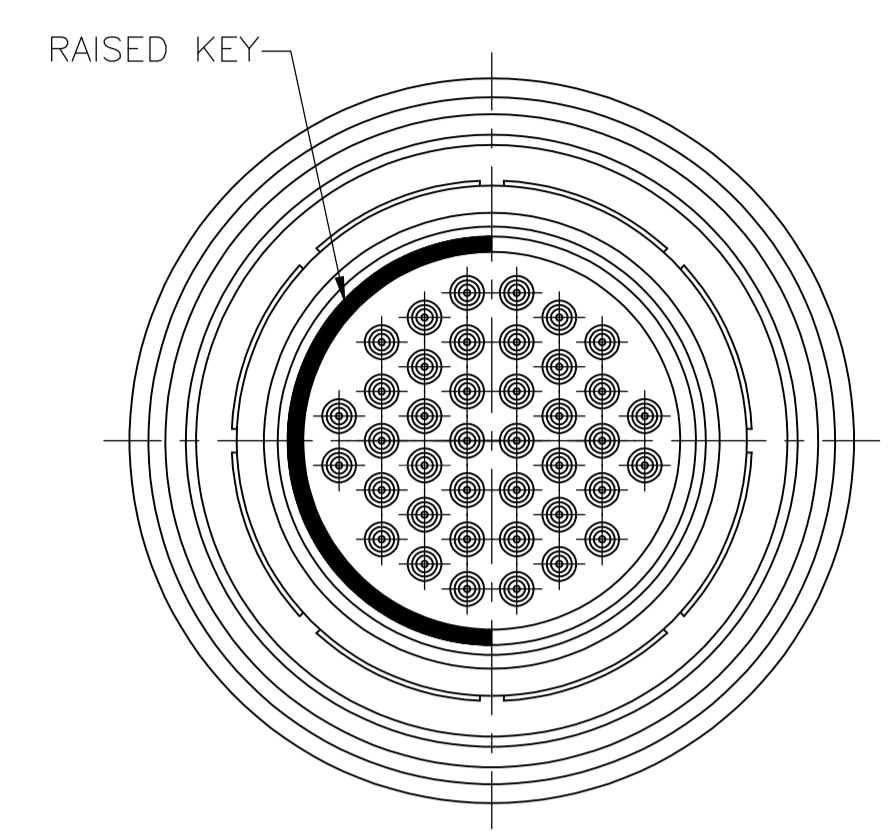
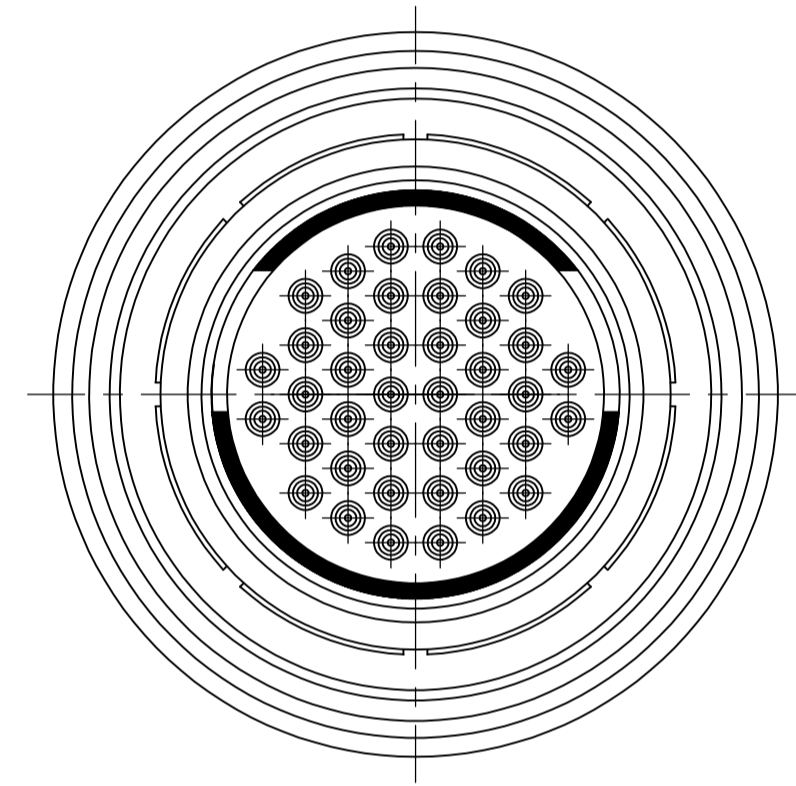


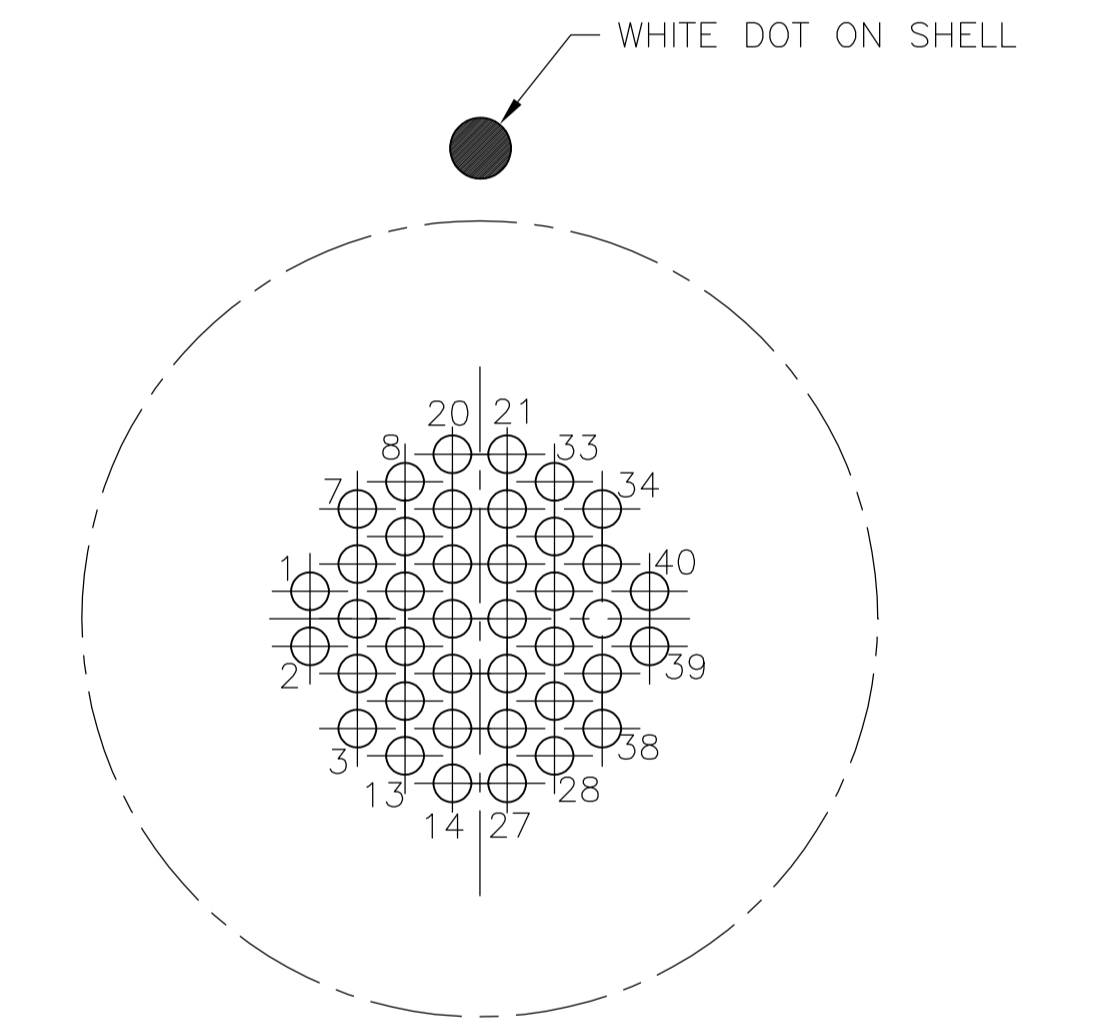
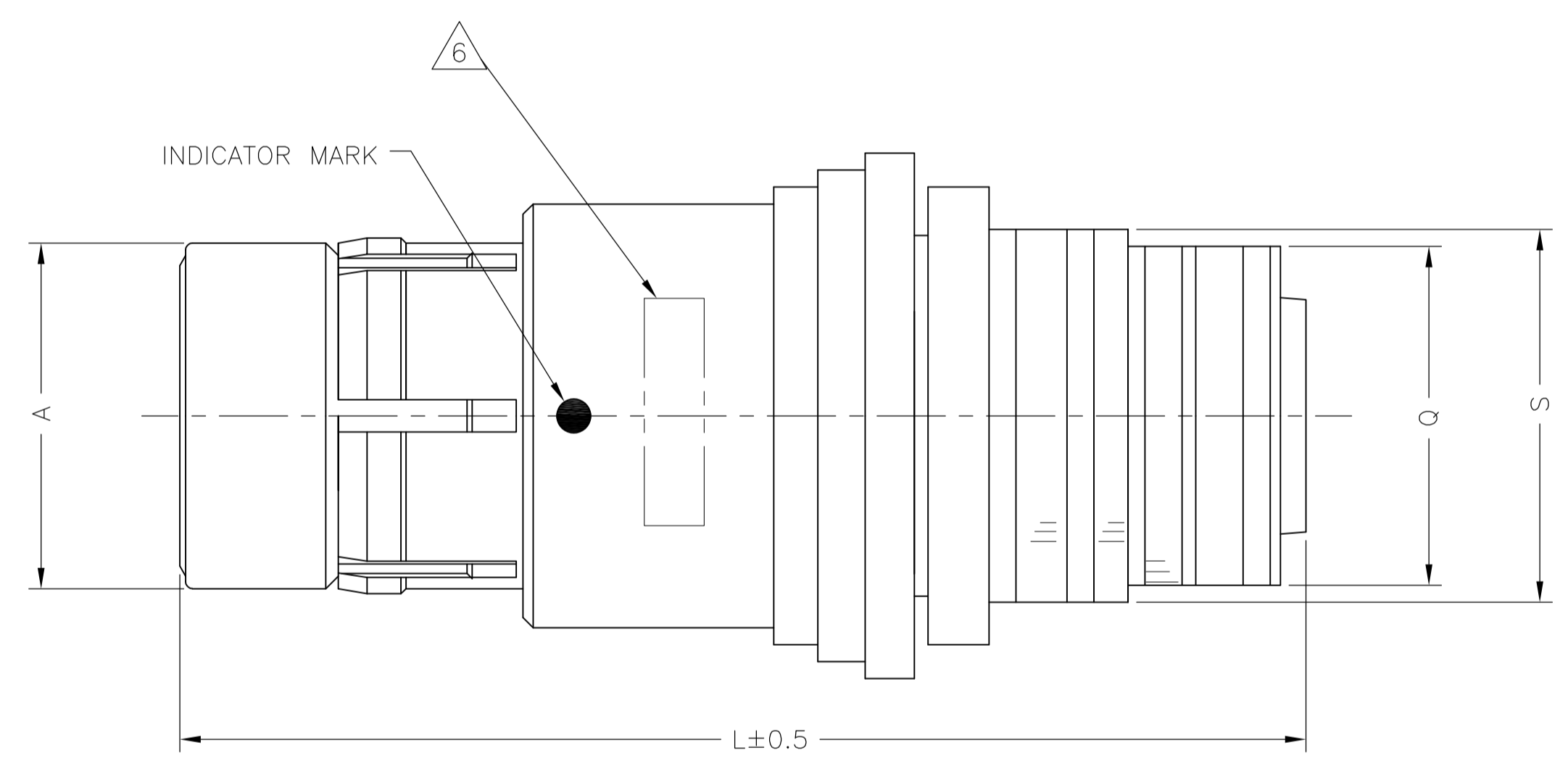
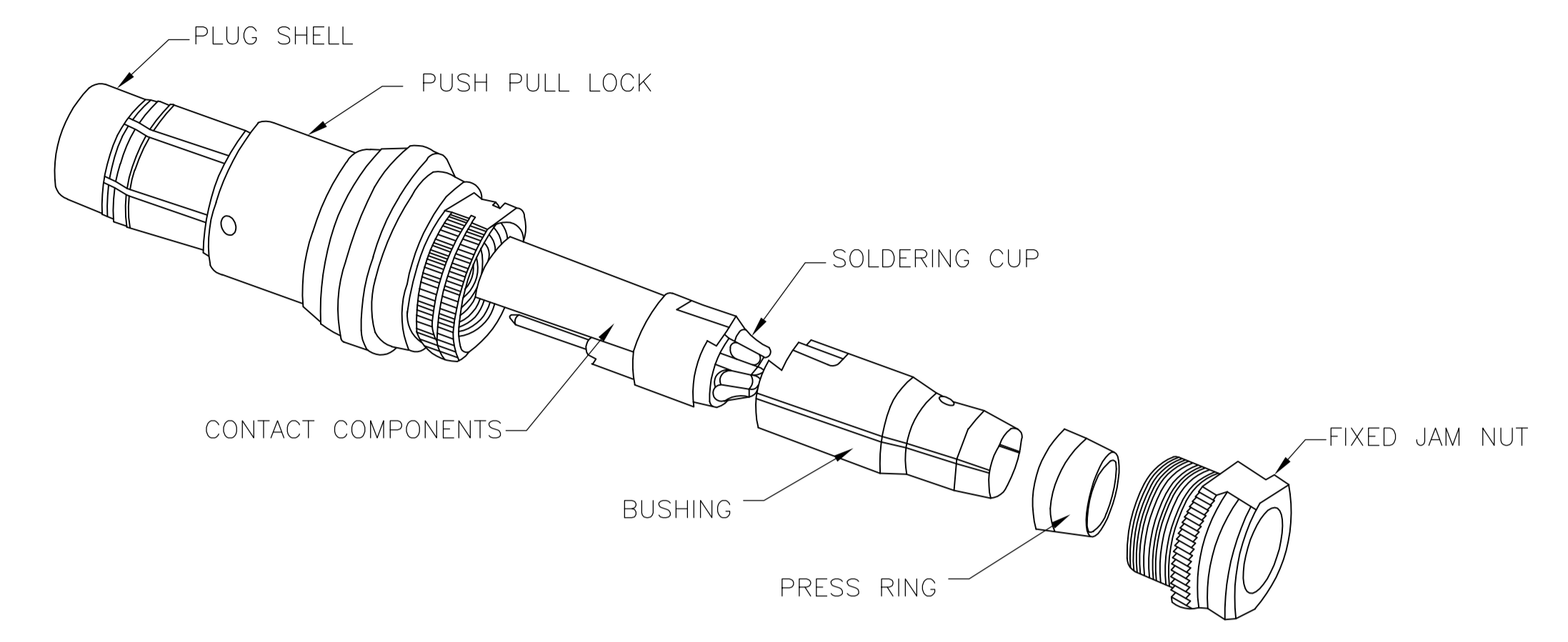
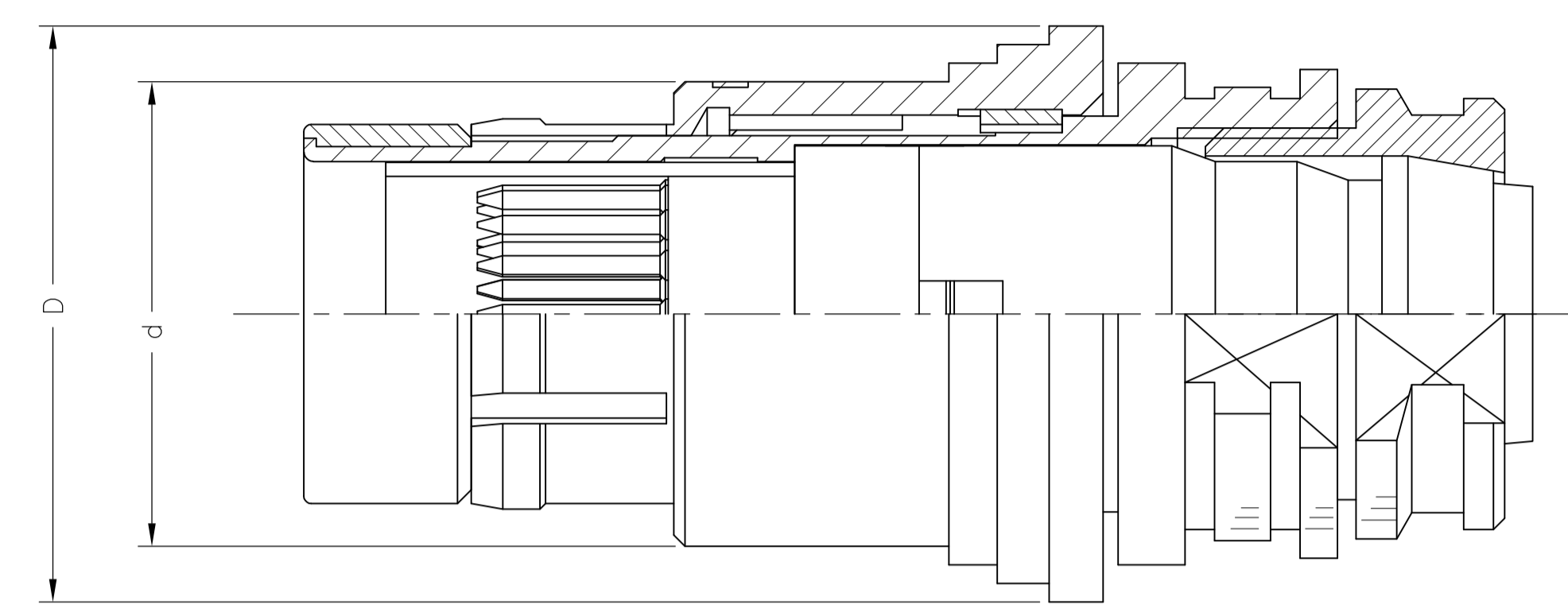
LOC		DIST		REVISIONS			
P	LTR	DESCRIPTION	DATE	DWN	APVD		
C		REVISED PER ECO 13-001843.	08FEB2013	MGM	CT		



SINGLE POLARIZATION



DOUBLE POLARIZATION



CAVITY IDENTIFICATION WHEN VIEWED FROM REAR OF THE CONNECTOR

- 1. DWV RATING: 725VAC @ SEA LEVEL
- 2. WIRE SIZE: 28 AWG MAX
- 3. WORKING TEMPERATURE: -55°C ~ +125°C
- 4 MATERIAL: CONTACT : COPPER ALLOY  
SHELL : COPPER ALLOY  
INSULATOR : PEEK
- 5 FINISH CONTACT: GOLD OVER NICKEL  
SHELL : BLACK CHROMIUM
- 6 PART IS MARKED WITH THE TE PART NUMBER,  
CHINA, DATE CODE AND LOT I.D.
- 7 ALL TOLERANCES TO BE ±0.20MM UNLESS NOTED.

CHROMIUM-BLACK	DOUBLE	SOLDERING	15	16	42.9	Ø18	Ø21.3	5	2101551-2
CHROMIUM-BLACK	SINGLE	SOLDERING	15	16	42.9	Ø18	Ø21.3	5	2101551-1
FINISH	POLARIZATION	TERMINATION	Q	S	L	d	D	SHELL SIZE	TE PART NUMBER

THIS DRAWING IS A CONTROLLED DOCUMENT.

DIMENSIONS: mm	TOLERANCES UNLESS OTHERWISE SPECIFIED:	DIN C.C. THOMAS 21AUG2009	TE Connectivity
0 PLC ± - 1 PLC ± - 2 PLC ± 0.20 3 PLC ± - 4 PLC ± - ANGLES ± °	± 0.20 ± 0.20 ± 0.20 ± 0.20 ± 0.20	CJK R GROSS 21AUG2009 APVD R GROSS 21AUG2009 PRODUCT SPEC 108-127005 APPLICATION SPEC	
MATERIAL: - 4	FINISH: - 5	SIZE: A1 CAGE CODE: 00779 DRAWING NO: 2101551 WEIGHT: - CUSTOMER DRAWING	RESTRICTED TO: - SCALE: NTS SHEET: 1 OF 1 REV: C

## X-ON Electronics

Largest Supplier of Electrical and Electronic Components

*Click to view similar products for [Circular Push Pull Connectors](#) category:*

*Click to view products by [TE Connectivity](#) manufacturer:*

Other Similar products are found below :

[6407-249V-11273P](#) [6408-201V-13273](#) [6408-202V-13343](#) [6408-202V-17343](#) [EZG.0B.309.CLN](#) [FFA.2S.310.ZLA](#) [FGA.1B.307.CYCD72Z](#)  
[FGJ.1B.304.CLLD76](#) [FGJ.1B.306.CWLD72](#) [FGJ.3B.304.CYMD82Z](#) [FHG.1B.303.CYCZ](#) [PCS.01.250.DLLE24](#) [PHG.0K.305.CYMC40Z](#)  
[PHG.1K.308.CLLK85](#) [PHG.2K.310.CYMC60Z](#) [PHG.2K.310.CYMC85Z](#) [PKG.M0.6BL.LZ](#) [PLC.M1.0SL.LA](#) [GMA.10.290.DN](#)  
[GMA.3B.090.DA](#) [PRG.M0.6GL.LC52GZ](#) [PSA.1S.275.CTLC66](#) [ABF.1S.250.NTA](#) [133020F](#) [1331ER193MZ](#) [1332M107MZ](#)  
[EAJ.1B.306.CWA](#) [ECG.XB.312.CLL](#) [1589430-2](#) [ELF.00.250.NTL](#) [BRR.2S.200.PZVG](#) [HR10A-P](#) [CAH.M34.SLL.C72GZ](#)  
[CAJ.M34.SLL.C72GZ](#) [300500](#) [EXG.0B.309.HLN](#) [FFA.2E.302.CLAC80Z](#) [FFB.1S.250.CLAC27](#) [FGA.2B.306.CYCD92Z](#)  
[FGJ.2B.302.CYMD62Z](#) [FGJ.2B.307.CLLD99](#) [FGJ.3B.308.CLLD72Z](#) [FHG.1B.303.CYCD62](#) [FLC.00.250.CTAC31](#) [PCS.01.250.DLLE31](#)  
[PHG.2K.310.CYMC80](#) [PKA.M1.0TL.LG](#) [PKC.M0.7GL.NG](#) [PKG.M0.4TL.LZ](#) [PPG.M1.0GG.N](#)