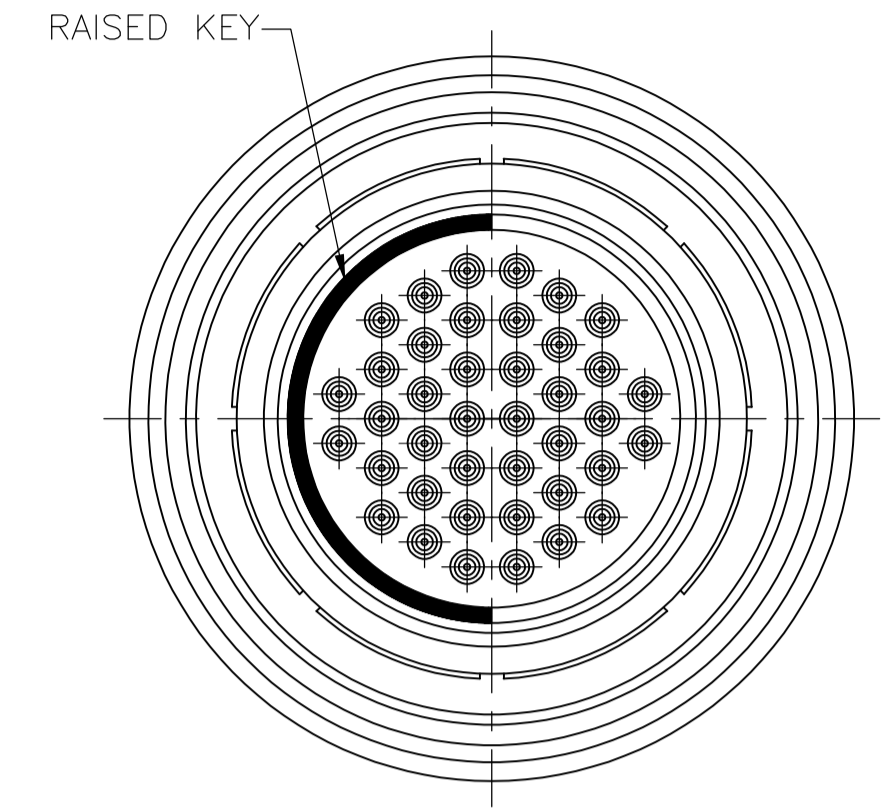
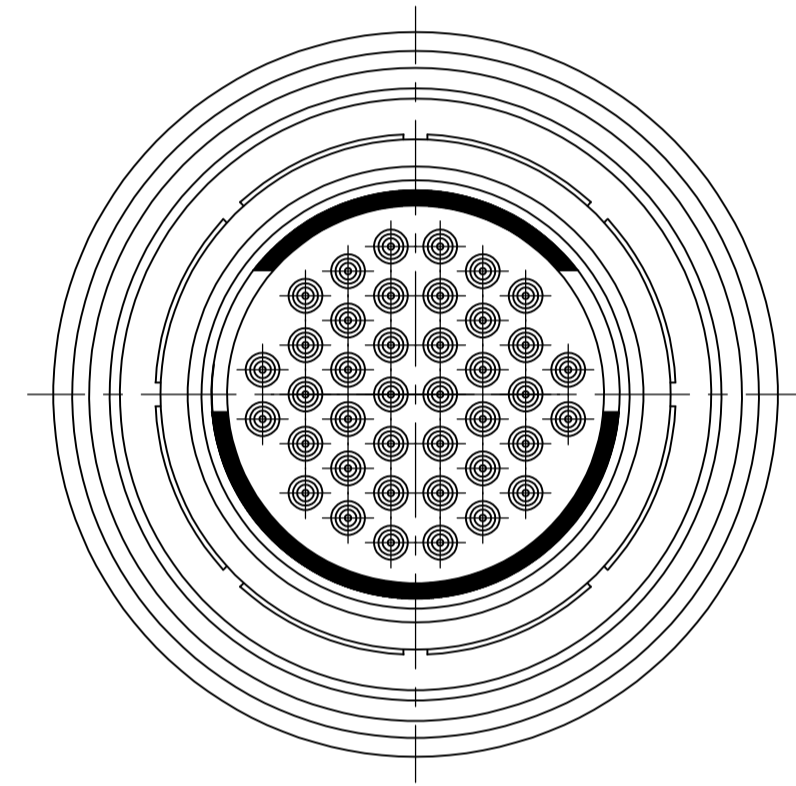


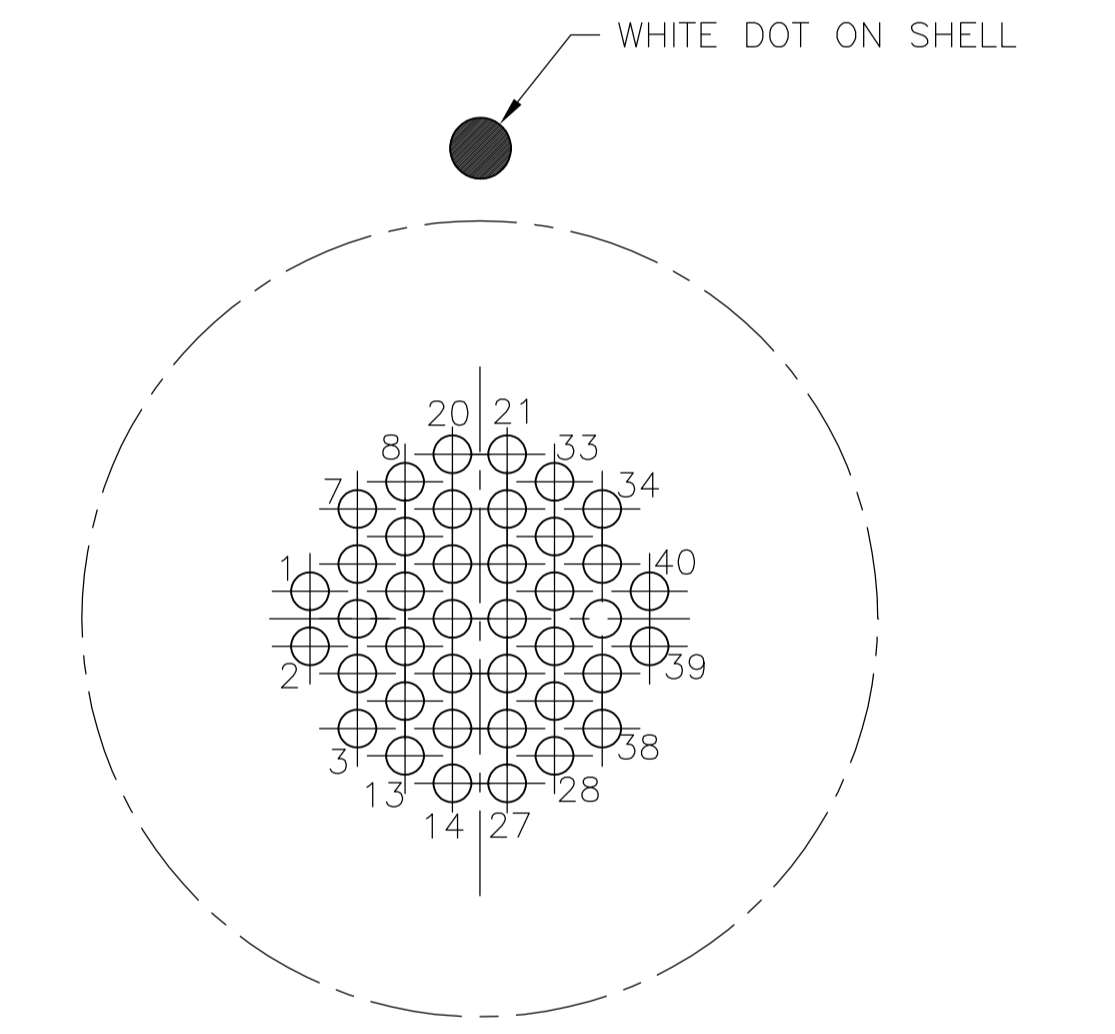
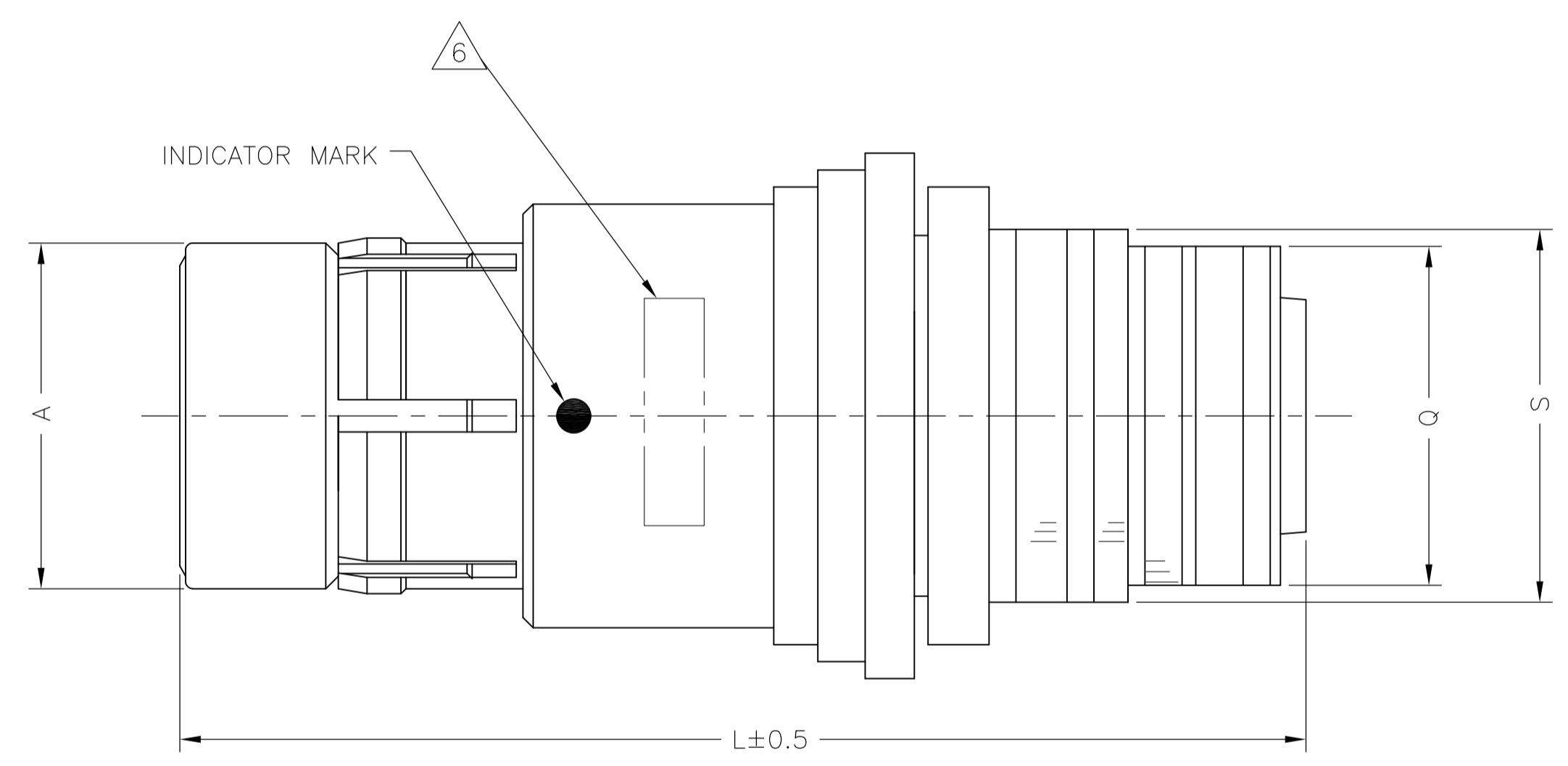
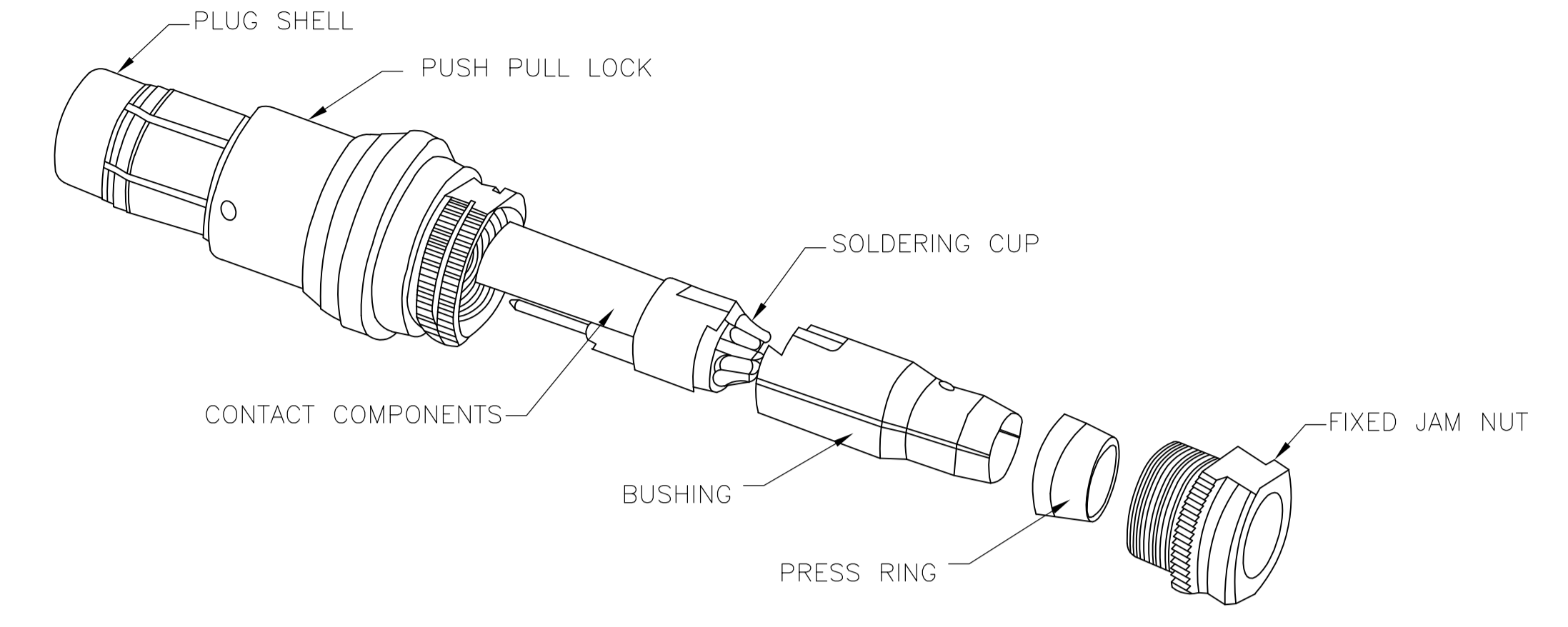
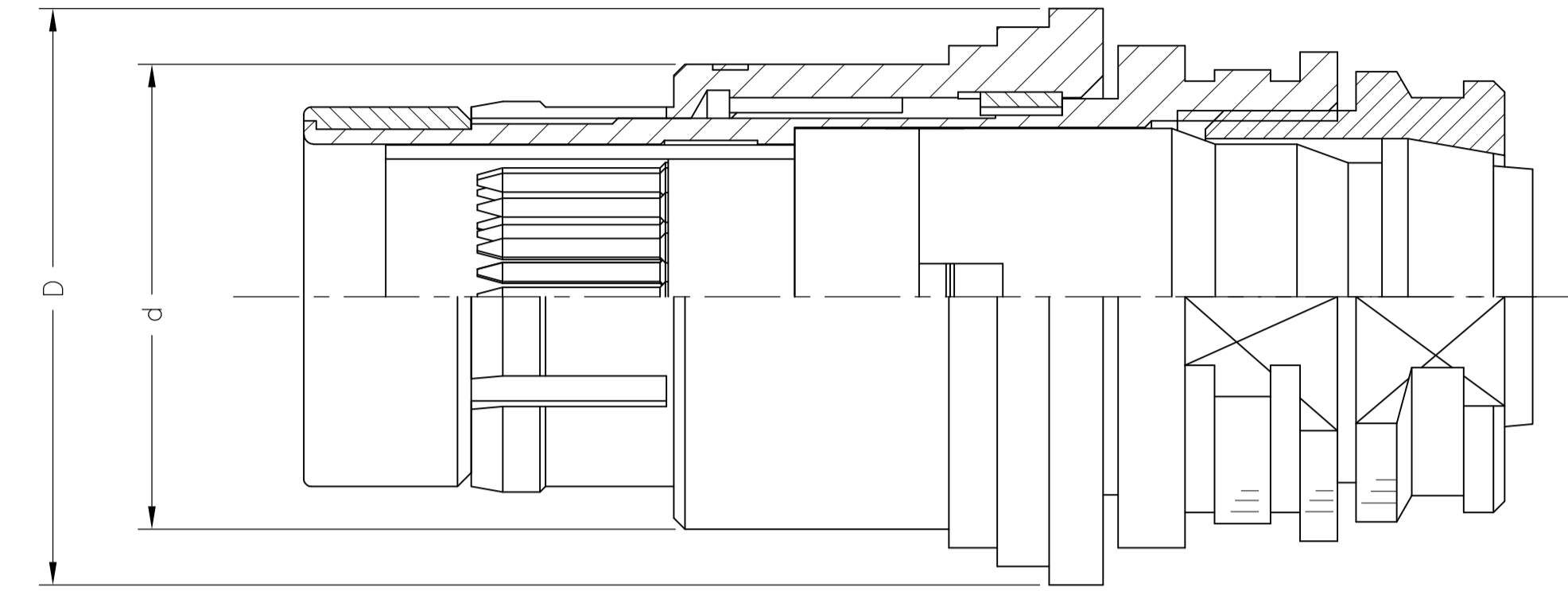
LOC		DIST		REVISIONS			
P	LTR	DESCRIPTION	DATE	DWN	APVD		
C		REVISED PER ECO 13-001843.	08FEB2013	MGM	CT		



SINGLE POLARIZATION



DOUBLE POLARIZATION



CAVITY IDENTIFICATION WHEN VIEWED FROM REAR OF THE CONNECTOR

- DWV RATING: 725VAC @ SEA LEVEL
- WIRE SIZE: 28 AWG MAX
- WORKING TEMPERATURE: -55°C ~ +125°C
- MATERIAL: CONTACT : COPPER ALLOY
SHELL : COPPER ALLOY
INSULATOR : PEEK
- FINISH CONTACT: GOLD OVER NICKEL
SHELL : BLACK CHROMIUM
- PART IS MARKED WITH THE TE PART NUMBER, CHINA, DATE CODE AND LOT I.D.
- ALL TOLERANCES TO BE ±0.20MM UNLESS NOTED.

CHROMIUM-BLACK	DOUBLE	SOLDERING	15	16	42.9	Ø18	Ø21.3	5	2101551-2
CHROMIUM-BLACK	SINGLE	SOLDERING	15	16	42.9	Ø18	Ø21.3	5	2101551-1
FINISH	POLARIZATION	TERMINATION	Q	S	L	d	D	SHELL SIZE	TE PART NUMBER

THIS DRAWING IS A CONTROLLED DOCUMENT.

DIMENSIONS:	TOLERANCES UNLESS OTHERWISE SPECIFIED:	DIN C.C. THOMAS 21AUG2009	TE Connectivity
mm	0 PLC ± -	21AUG2009	
	1 PLC ± -		NAME
	2 PLC ± 0.20		CIRCULAR HD PLUG WITH PINS, SOLDER CUP 40 POS
	3 PLC ± -		PRODUCT SPEC
	4 PLC ± -		108-127005
	ANGLES ± °		APPLICATION SPEC
MATERIAL	FINISH	SIZE	CAGE CODE
- 4	- 5	A1	00779
		DRAWING NO.	2101551
		WEIGHT	
		CUSTOMER DRAWING	SCALE NTS SHEET 1 OF 1 REV C

X-ON Electronics

Largest Supplier of Electrical and Electronic Components

Click to view similar products for [Circular Push Pull Connectors](#) category:

Click to view products by [TE Connectivity](#) manufacturer:

Other Similar products are found below :

[6407-249V-11273P](#) [6408-201V-13273](#) [6408-202V-13343](#) [6408-202V-17343](#) [EZG.0B.309.CLN](#) [FFA.2S.310.ZLA](#) [FGA.1B.307.CYCD72Z](#)
[FGJ.1B.304.CLLD76](#) [FGJ.1B.306.CWLD72](#) [FGJ.3B.304.CYMD10Z](#) [FGJ.3B.304.CYMD82Z](#) [FHG.1B.303.CYCZ](#) [PCS.01.250.DLLE24](#)
[PHG.0K.305.CYMC40Z](#) [PHG.1K.308.CLLK85](#) [PKG.M0.6BL.LZ](#) [PLC.M1.0SL.LA](#) [GMA.10.290.DN](#) [GMA.3B.090.DA](#)
[PRG.M0.6GL.LC52GZ](#) [PSA.1S.275.CTLC66](#) [ABF.1S.250.NTA](#) [133020F](#) [1331ER193MZ](#) [1332M107MZ](#) [DTS26Z19-32JA-LC](#) [DTS26Z19-](#)
[32SA](#) [DTS26Z19-32SA-LC](#) [EAJ.1B.306.CWA](#) [ECG.XB.312.CLL](#) [1589430-2](#) [ELF.00.250.NTL](#) [BRR.2S.200.PZVG](#) [HR10A-P](#)
[CAH.M34.SLL.C72GZ](#) [CAJ.M34.SLL.C72GZ](#) [300500](#) [EXG.0B.309.HLN](#) [FFB.1S.250.CLAC27](#) [FGA.2B.306.CYCD92](#)
[FGA.2B.306.CYCD92Z](#) [FGJ.3B.308.CLLD72Z](#) [FHG.1B.303.CYCD62](#) [FLC.00.250.CTAC27](#) [FLC.00.250.CTAC31](#) [PCS.01.250.DLLE31](#)
[PKA.M1.0TL.LG](#) [PKC.M0.7GL.NG](#) [PKG.M0.4TL.LZ](#) [GMA.2B.045.RG](#)