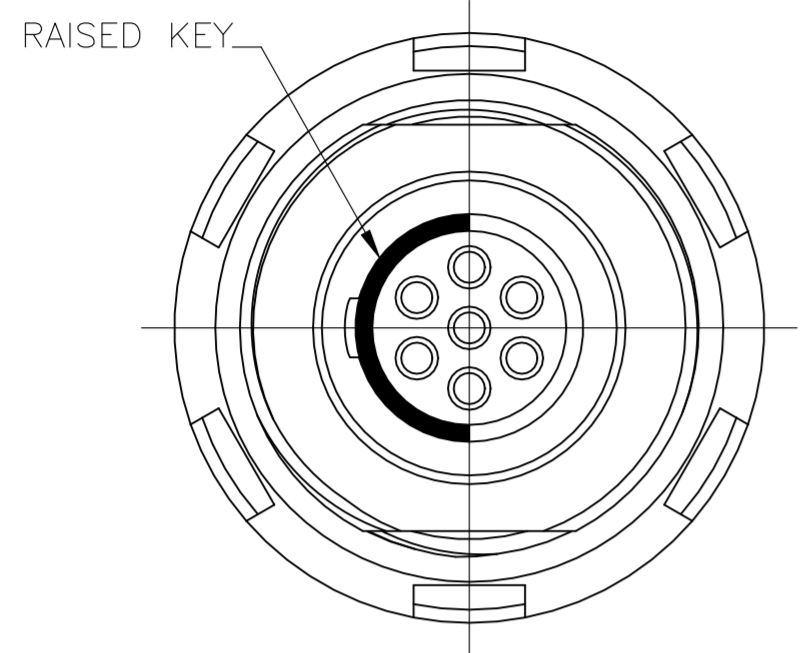
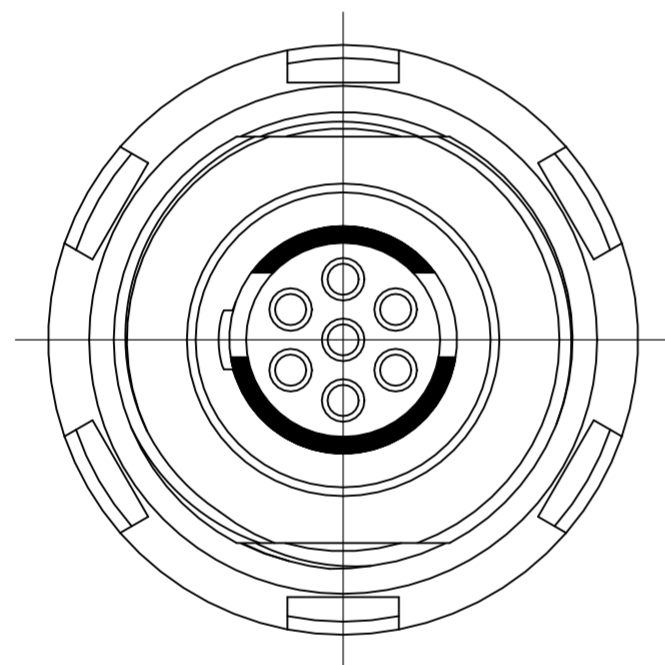


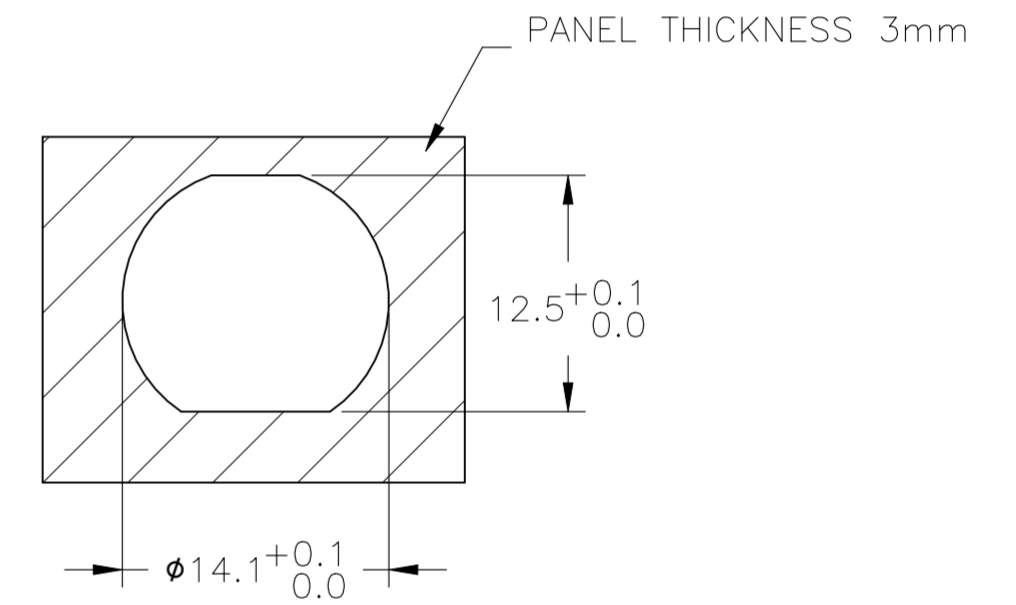
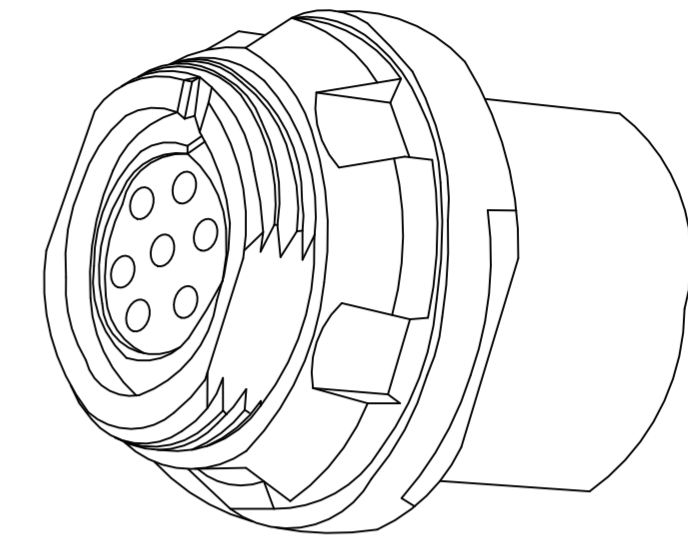
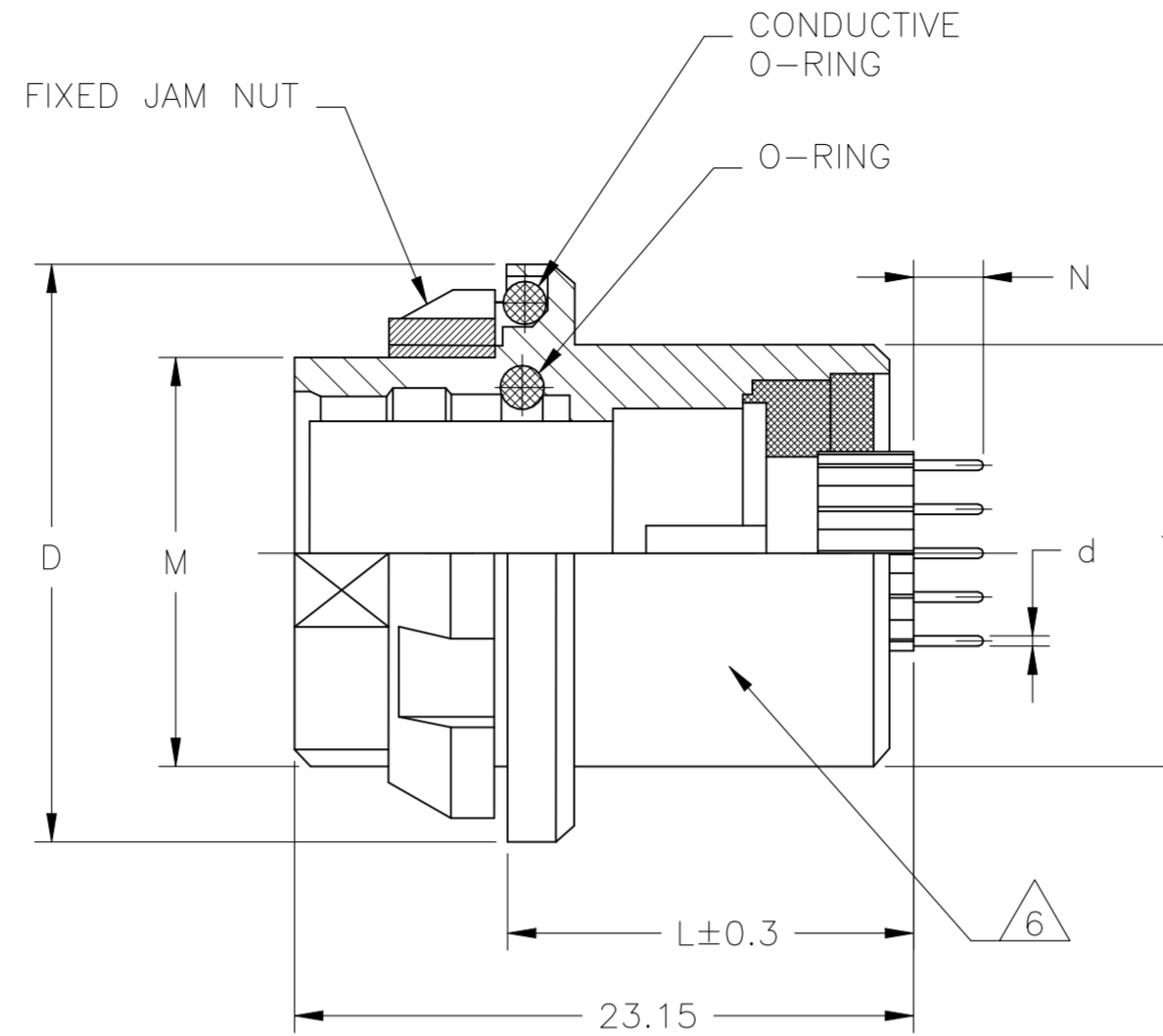
REVISIONS					
P	LTR	DESCRIPTION	DATE	DWN	APVD
D		REVISED PER ECO-20-012256	05FEB2021	LN	CT



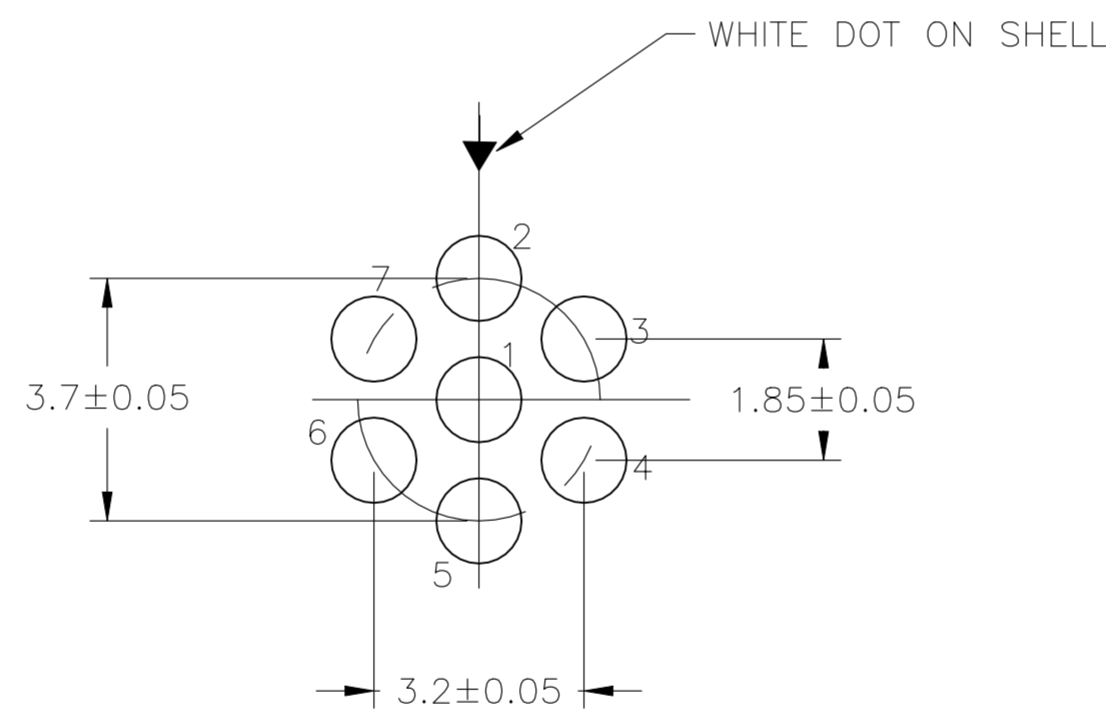
SINGLE POLARIZATION



DOUBLE POLARIZATION



PANEL CUTOUT



CAVITY IDENTIFICATION WHEN VIEWED FROM REAR OF CONNECTOR

- 1. DWV RATING: 875VAC @ SEA LEVEL
- 2. WORKING TEMPERATURE: -55°C ~ +125°C

**3** MATERIAL:  
 CONTACT : COPPER ALLOY  
 SHELL : COPPER ALLOY  
 INSULATOR : PEEK  
 O RING : SILICON RUBBER

**4** FINISH  
 CONTACT: GOLD OVER NICKEL  
 SHELL : BLACK CHROMIUM

- 5. WATER PROOF: 1M IMMERSION

**6** PART IS MARKED WITH THE TE PART NUMBER, CHINA, DATE CODE AND LOT ID

**7** ALL TOLERANCES ±0.20 MM UNLESS NOTED.

CHROMIUM-BLACK	DOUBLE	SOLDERING	2.54	φ0.5	16.08	φ14	M14X1	φ18	2	2101553-2
CHROMIUM-BLACK	SINGLE	SOLDERING	2.54	φ0.5	16.08	φ14	M14X1	φ18	2	2101553-1
FINISH	POLARIZATION	TERMINATION	N	d	L	T	THREAD	D	SHELL SIZE	TE PART NUMBER

THIS DRAWING IS A CONTROLLED DOCUMENT.

DWN	C.C THOMAS	20AUG2009
CHK	R. GROSS	20AUG2009
APVD	R. GROSS	20AUG2009
PRODUCT SPEC	108-127005	
APPLICATION SPEC		
NAME	CIRCULAR HD RECEPTACLE WITH SOCKET, JAM NUT, FRONT MOUNTING, STRAIGHT PCB 7 POS.	
SIZE	A2	
CAGE CODE	00779	
DRAWING NO	C=2101553	
RESTRICTED TO		
WEIGHT	0.000000	
CUSTOMER DRAWING	SCALE 2:1	SHEET 1 of 1
		REV D

## X-ON Electronics

Largest Supplier of Electrical and Electronic Components

*Click to view similar products for [Circular Push Pull Connectors](#) category:*

*Click to view products by [TE Connectivity](#) manufacturer:*

Other Similar products are found below :

[6407-249V-11273P](#) [6408-201V-13273](#) [6408-202V-13343](#) [6408-202V-17343](#) [EZG.0B.309.CLN](#) [FFA.2S.310.ZLA](#) [FGA.1B.307.CYCD72Z](#)  
[FGJ.1B.304.CLLD76](#) [FGJ.1B.306.CWLD72](#) [FGJ.3B.304.CYMD82Z](#) [FHG.1B.303.CYCZ](#) [PCS.01.250.DLLE24](#) [PHG.0K.305.CYMC40Z](#)  
[PHG.1K.308.CLLK85](#) [PHG.2K.310.CYMC60Z](#) [PHG.2K.310.CYMC85Z](#) [PKG.M0.6BL.LZ](#) [PLC.M1.0SL.LA](#) [GMA.10.290.DN](#)  
[GMA.3B.090.DA](#) [PRG.M0.6GL.LC52GZ](#) [PSA.1S.275.CTLC66](#) [ABF.1S.250.NTA](#) [133020F](#) [1331ER193MZ](#) [1332M107MZ](#)  
[EAJ.1B.306.CWA](#) [ECG.XB.312.CLL](#) [1589430-2](#) [ELF.00.250.NTL](#) [BRR.2S.200.PZVG](#) [HR10A-P](#) [CAH.M34.SLL.C72GZ](#)  
[CAJ.M34.SLL.C72GZ](#) [300500](#) [EXG.0B.309.HLN](#) [FFA.2E.302.CLAC80Z](#) [FFB.1S.250.CLAC27](#) [FGA.2B.306.CYCD92Z](#)  
[FGJ.2B.302.CYMD62Z](#) [FGJ.2B.307.CLLD99](#) [FGJ.3B.308.CLLD72Z](#) [FHG.1B.303.CYCD62](#) [FLC.00.250.CTAC31](#) [PCS.01.250.DLLE31](#)  
[PHG.2K.310.CYMC80](#) [PKA.M1.0TL.LG](#) [PKC.M0.7GL.NG](#) [PKG.M0.4TL.LZ](#) [PPG.M1.0GG.N](#)