

4

3

2

1

THIS DRAWING IS UNPUBLISHED.

RELEASED FOR PUBLICATION

-. - .

LOC

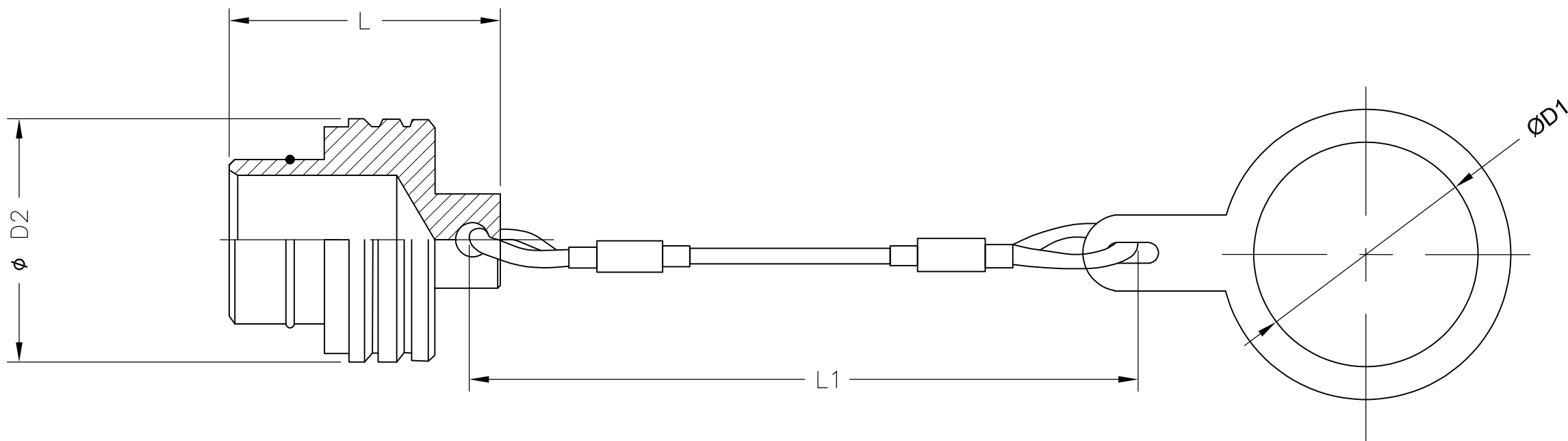
DIST

REVISIONS

© COPYRIGHT - By -

ALL RIGHTS RESERVED.

P	LTR	DESCRIPTION	DATE	DWN	APVD
	C	REV PER EC0-12-013349	20JUL12	PY	RG


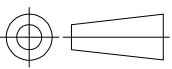




MATERIAL
 BODY - BRASS
 LANYARD - BROCADED SILK
 O RING - SILICONE RUBBER



FINISH
 BODY - BLACK CHROMATE

19	20.1	135	21	2101579-2
13	14.1	85	15	2101579-1
D2	D1	L1	L	PART NUMBER

THIS DRAWING IS A CONTROLLED DOCUMENT.		DWN C C THOMAS 16SEP2009	 TE Connectivity CIRCULAR HD CAPS W/LANYARDS FOR SIZE 2 & 5 RECEPTACLE CONNECTORS				
DIMENSIONS: mm		CHK R GROSS 16SEP2009				NAME	
		APVD R GROSS 16SEP2009				PRODUCT SPEC 108-127005	
TOLERANCES UNLESS OTHERWISE SPECIFIED: 0 PLC ± 0.20 1 PLC ± - 2 PLC ± - 3 PLC ± - 4 PLC ± - ANGLES ± -		APPLICATION SPEC				RESTRICTED TO	
MATERIAL - 		WEIGHT -	SIZE A3	CAGE CODE 00779	DRAWING NO C-2101579		
FINISH - 		CUSTOMER DRAWING		SCALE NTS	SHEET 1 OF 1		
				REV C			

X-ON Electronics

Largest Supplier of Electrical and Electronic Components

Click to view similar products for [Circular Push Pull Connectors](#) category:

Click to view products by [TE Connectivity](#) manufacturer:

Other Similar products are found below :

[6407-249V-11273P](#) [6408-201V-13273](#) [6408-202V-13343](#) [6408-202V-17343](#) [EZG.0B.309.CLN](#) [FFA.2S.310.ZLA](#) [FGA.1B.307.CYCD72Z](#)
[FGJ.1B.304.CLLD76](#) [FGJ.1B.306.CWLD72](#) [FGJ.3B.304.CYMD82Z](#) [FHG.1B.303.CY CZ](#) [PCS.01.250.DLLE24](#) [PHG.0K.305.CYMC40Z](#)
[PHG.1K.308.CLLK85](#) [PHG.2K.310.CYMC60Z](#) [PHG.2K.310.CYMC85Z](#) [PKG.M0.6BL.LZ](#) [PLC.M1.0SL.LA](#) [GMA.10.290.DN](#)
[GMA.3B.090.DA](#) [PRG.M0.6GL.LC52GZ](#) [PSA.1S.275.CTLC66](#) [ABF.1S.250.NTA](#) [133020F](#) [1331ER193MZ](#) [1332M107MZ](#) [DTS26Z19-](#)
[32JA-LC](#) [DTS26Z19-32SA](#) [DTS26Z19-32SA-LC](#) [EAJ.1B.306.CWA](#) [ECG.XB.312.CLL](#) [1589430-2](#) [ELF.00.250.NTL](#) [BRR.2S.200.PZVG](#)
[HR10A-P](#) [CAH.M34.SLL.C72GZ](#) [CAJ.M34.SLL.C72GZ](#) [300500](#) [EXG.0B.309.HLN](#) [FFB.1S.250.CLAC27](#) [FGA.2B.306.CYCD92](#)
[FGA.2B.306.CYCD92Z](#) [FGJ.3B.308.CLLD72Z](#) [FHG.1B.303.CYCD62](#) [FLC.00.250.CTAC27](#) [FLC.00.250.CTAC31](#) [PCS.01.250.DLLE31](#)
[PKA.M1.0TL.LG](#) [PKC.M0.7GL.NG](#) [PKG.M0.4TL.LZ](#)