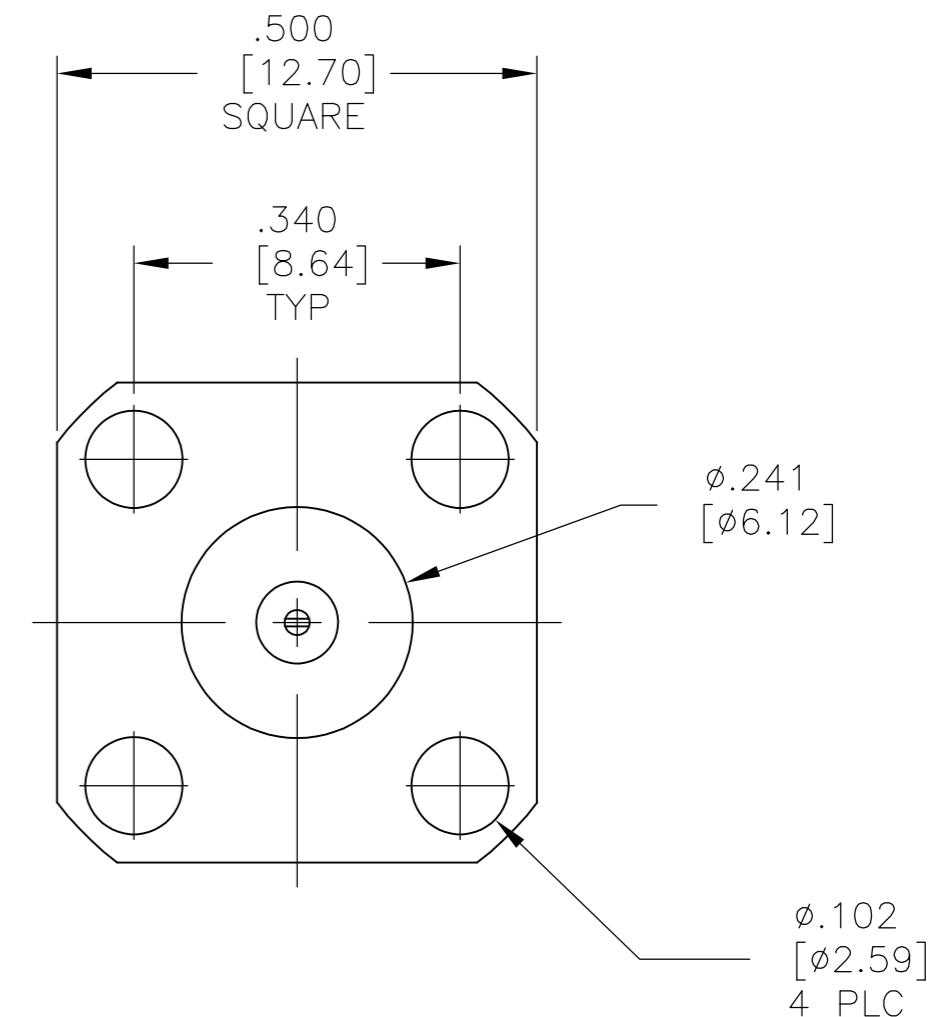
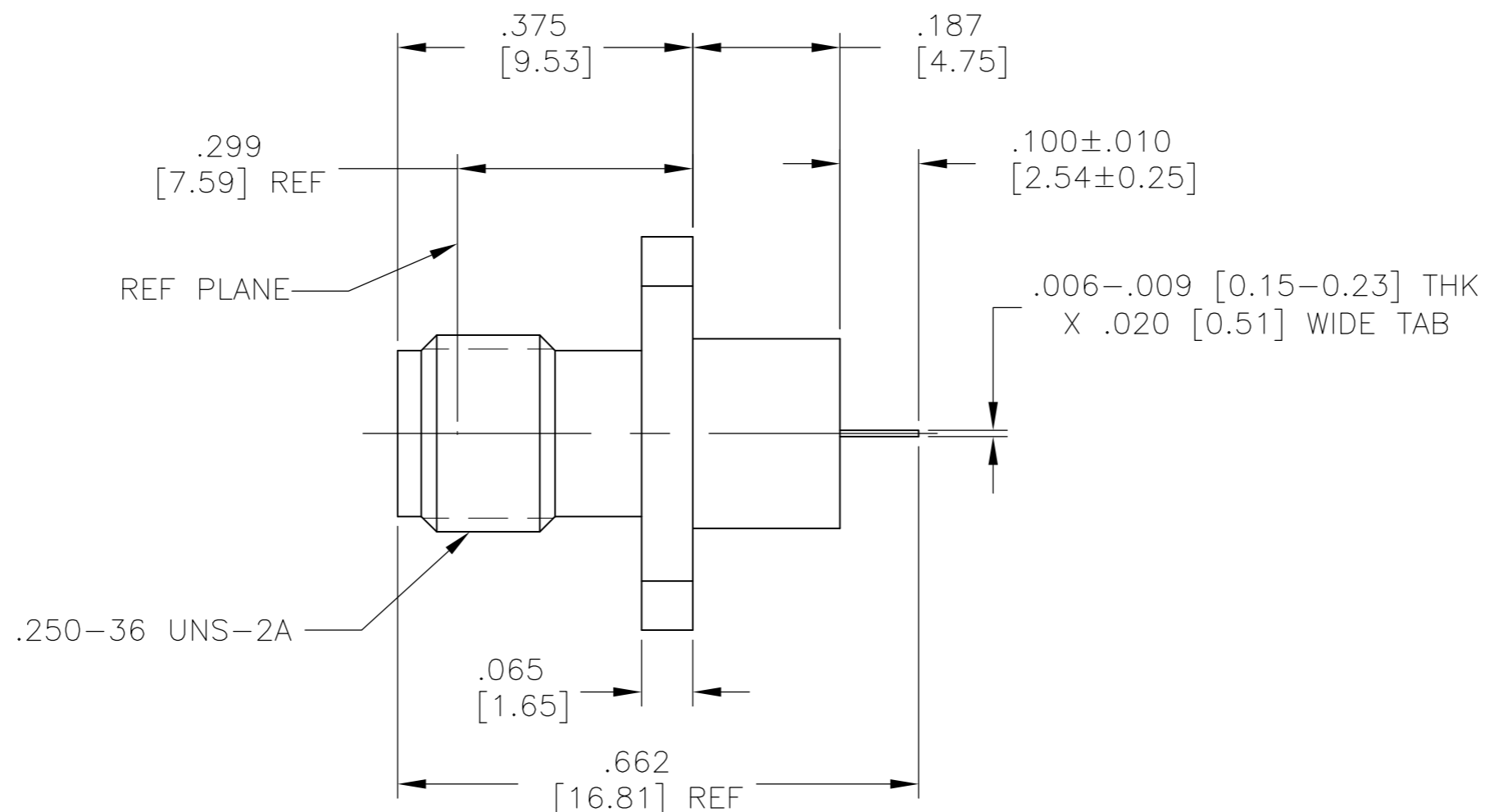


THIS DRAWING IS UNPUBLISHED. RELEASED FOR PUBLICATION  
 © COPYRIGHT - By - ALL RIGHTS RESERVED.

REVISIONS				
P	LTR	DESCRIPTION	DATE	APVD
B		REV PER ECO 16-016338	12-12-16	CT DW

COMPONENT	MATERIAL	FINISH
HOUSING	STAINLESS STEEL PER ASTM-A484 AND ASTM-A582, TYPE 303	PASSIVATE PER ASTM-A380
DIELECTRIC	TFE FLUOROCARBON PER ASTM-D-1457	N/A
CENTER CONTACT	BERYLLIUM COPPER PER ASTM B 196, ALLOY C17300, CONDITION H	GOLD PLATE PER ASTM-B-488 OVER NICKEL PLATE PER AMS-QQ-N-290



ELECTRICAL	MECHANICAL	ENVIRONMENTAL
Nominal Impedance (Ohms) 50	Interface Dimensions MIL-STD-348A, Fig. 310.2	TEMPERATURE RATING -55°C TO +105°C
Frequency Range (GHz) DC to 18	Recommended Mating Torque N/A	Vibration MIL-STD-202, Method 204, Condition D.
Volt Rating (VRMS MAX) @ Sea Level 190	Mating Characteristics:	Shock MIL-STD-202, Method 213, Condition I.
VSWR 1.05 ± .005 F (GHZ)	Insertion (MAX Lbs) 3.0	Thermal Shock MIL-STD-202, Method 107, Condition A
Insertion Loss (dB MAX) .03 f(GHz)	Withdrawal (MIN Oz) 1.0	Moisture Resistance MIL-STD-202, Method 106
RF Leakage (dB MIN) -[60 - f(GHz)]	Force to Engage and Disengage (In-Lbs MAX) 2.0	Corrosion - MIL-STD-202, Method 101, Condition B, 5% salt spray
Corona, 70,000 Ft (VRMS MIN) 250	Center Contact Captivation Axial (Lbs) 6.0	
Dielectric Withstanding Voltage (VRMS MIN) @ Sea Level 1,000	Radial (In-Oz) 4.0	
Contact Resistance (Milliohms MAX) Center Contact 2.0	Cable Retention Axial Force (Lbs) N/A	
Outer Contact 2.0	Torque (In-Oz) N/A	
Cable to Housing N/A	Weight (Grams) N/A	
RF High Potential @ Sea Level (VRMS MIN @ 5 MHz) 670		
I.R.(Megohms MIN) 10,000		

2101675-1  
PART NUMBER

THIS DRAWING IS A CONTROLLED DOCUMENT.		DWN C.C.THOMAS 16AUG2011		
DIMENSIONS: INCHES		CHK D.WILSON 8-16-11		
TOLERANCES UNLESS OTHERWISE SPECIFIED:		APVD D.WILSON 8-16-11	NAME SMA FLANGE MOUNT JACK RECEPTACLE, TAB TERMINAL	
0 PLC ± -		PRODUCT SPEC	SIZE CAGE CODE DRAWING NO RESTRICTED TO	
1 PLC ± -		APPLICATION SPEC	A2 00779 C=2101675	
2 PLC ± -		WEIGHT 0.000000	SCALE 10:1 SHEET 1 of 1 REV B	
3 PLC ± .005 [0.13]		CUSTOMER DRAWING		
4 PLC ± -				
ANGLES ± 1°				
FINISH				

## X-ON Electronics

Largest Supplier of Electrical and Electronic Components

*Click to view similar products for [RF Connectors](#) / [Coaxial Connectors](#) category:*

*Click to view products by [TE Connectivity](#) manufacturer:*

Other Similar products are found below :

[8915-1511-000](#) [89674-0827](#) [6001-7071-019](#) [6002-7051-003](#) [6002-7551-202](#) [6059674-1](#) [619550-1](#) [630059-000](#) [M39030/3-01N](#) [6500-7071-046](#) [6769](#) [CX050L2AQ](#) [7002-1541-010](#) [7002-1542-011](#) [7004-1512-000](#) [7009-1511-004](#) [7010-1511-000](#) [7029-1511-060](#) [7101-1541-010](#) [7101-1571-002](#) [7145-1521-002](#) [7203-1571-003](#) [7209-1511-011](#) [7210-1511-015](#) [7210-1511-019](#) [73137-5015](#) [73216-2241](#) [73404-2300](#) [7405-1521-005](#) [7405-1521-802](#) [8527](#) [8547](#) [FS11V](#) [877931](#) [8808-1511-001](#) [9074-9513-000](#) [9101-9573-002](#) [910A205F](#) [9130-9573-002](#) [PL11SC-026](#) [PL375-33](#) [PL40-5](#) [PL74C-221](#) [PL75MC-217](#) [PL803-7](#) [1200690078](#) [1-201144-1](#) [R107003010W](#) [R110A172100](#) [R112186000](#)