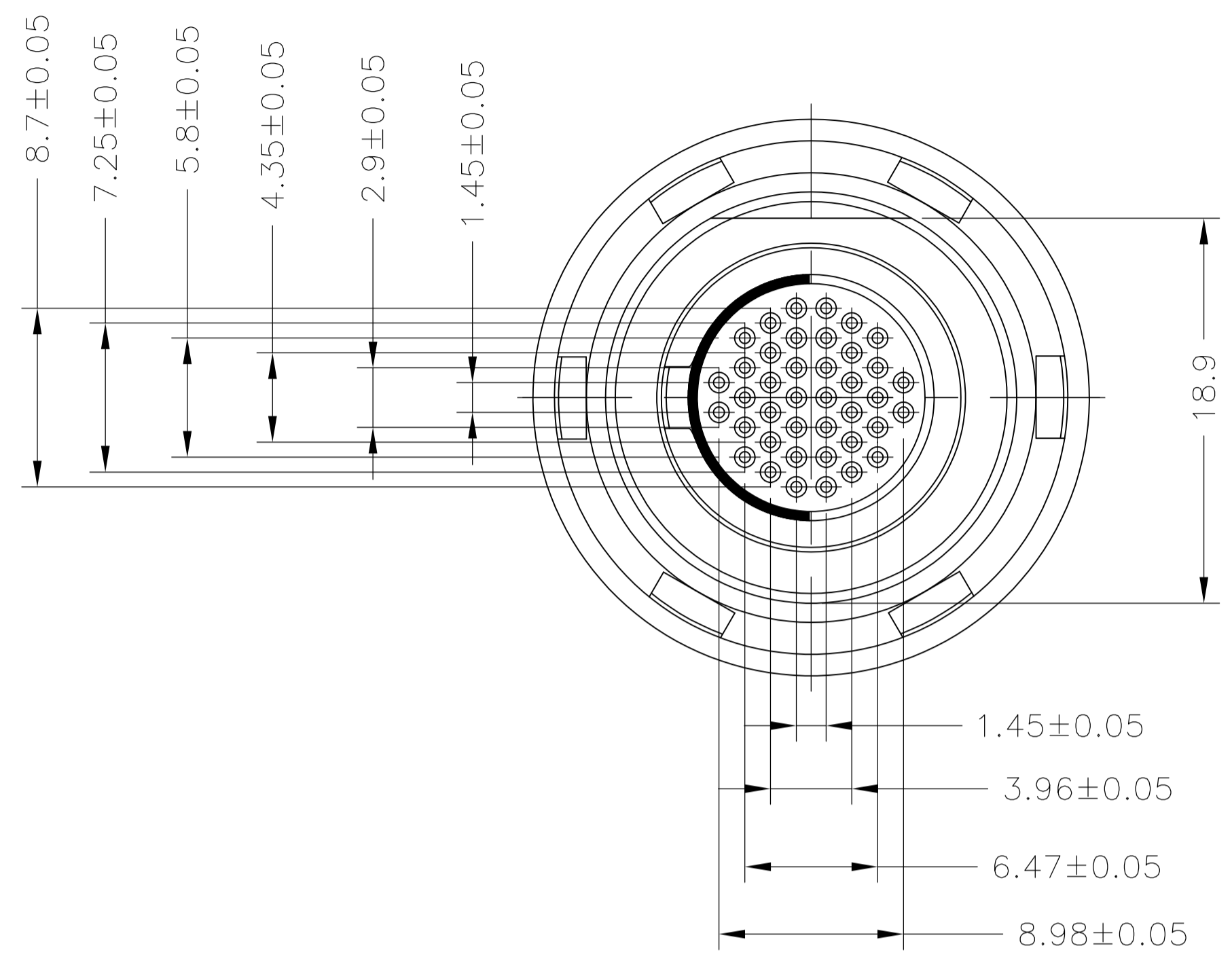
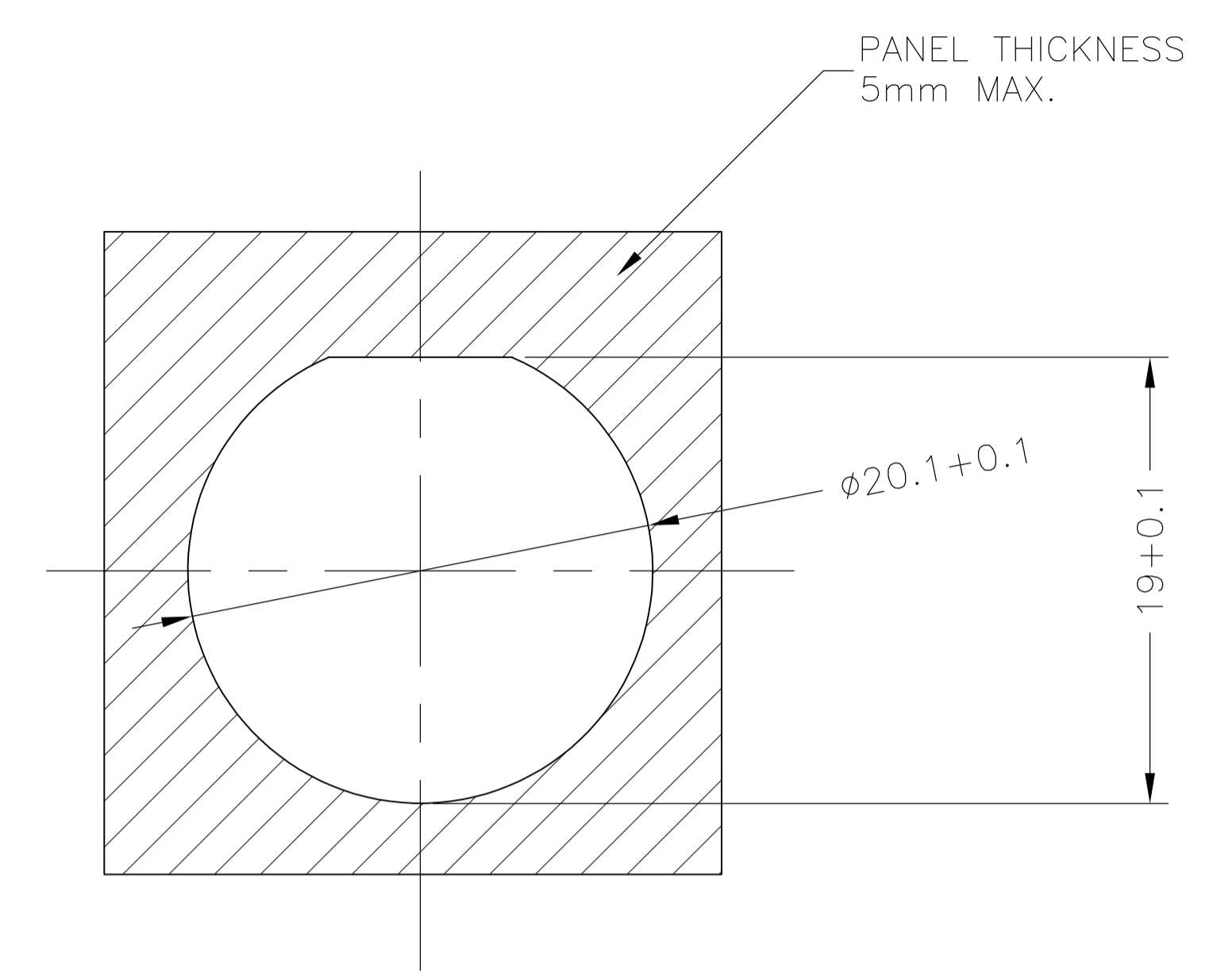
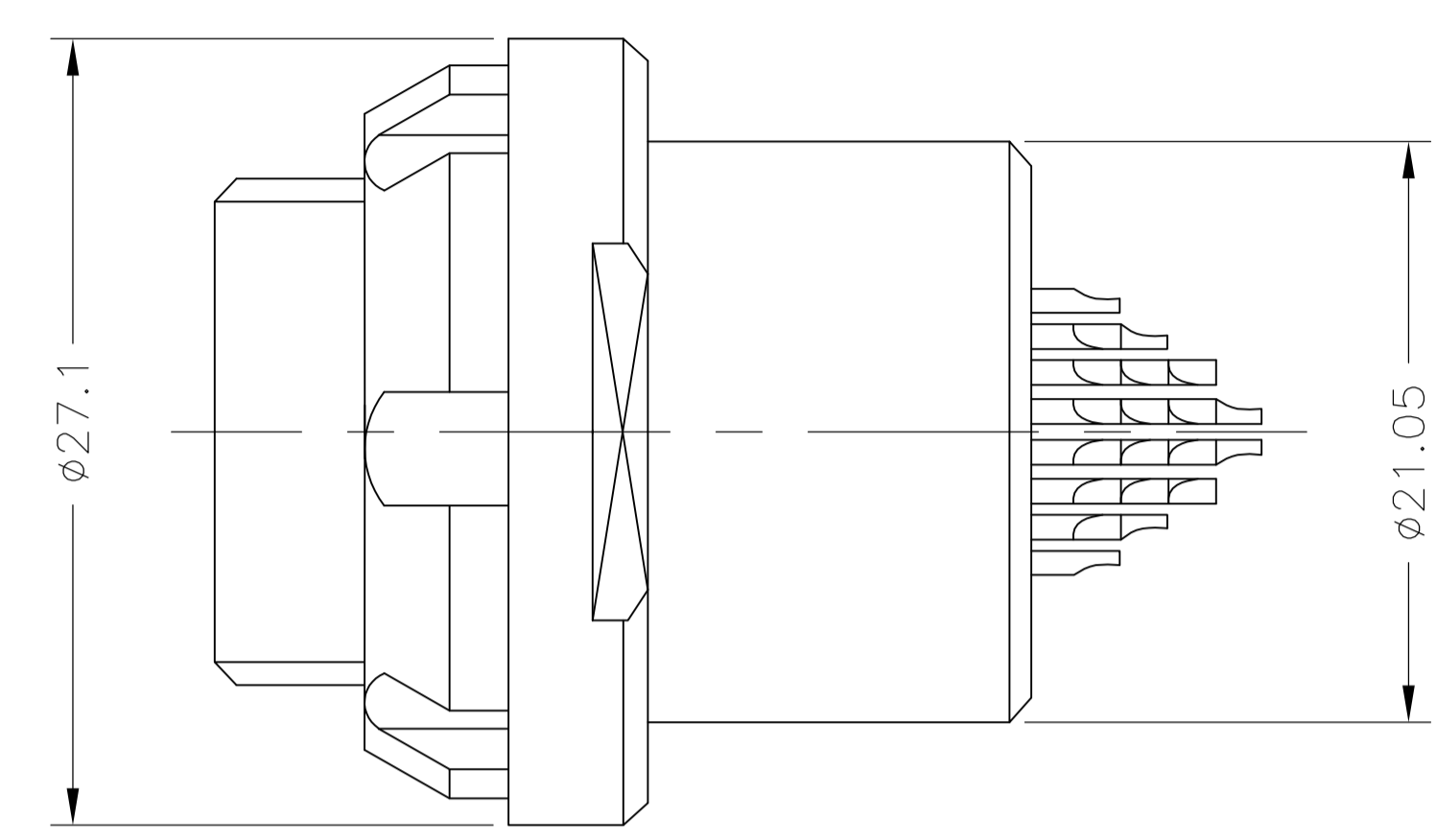


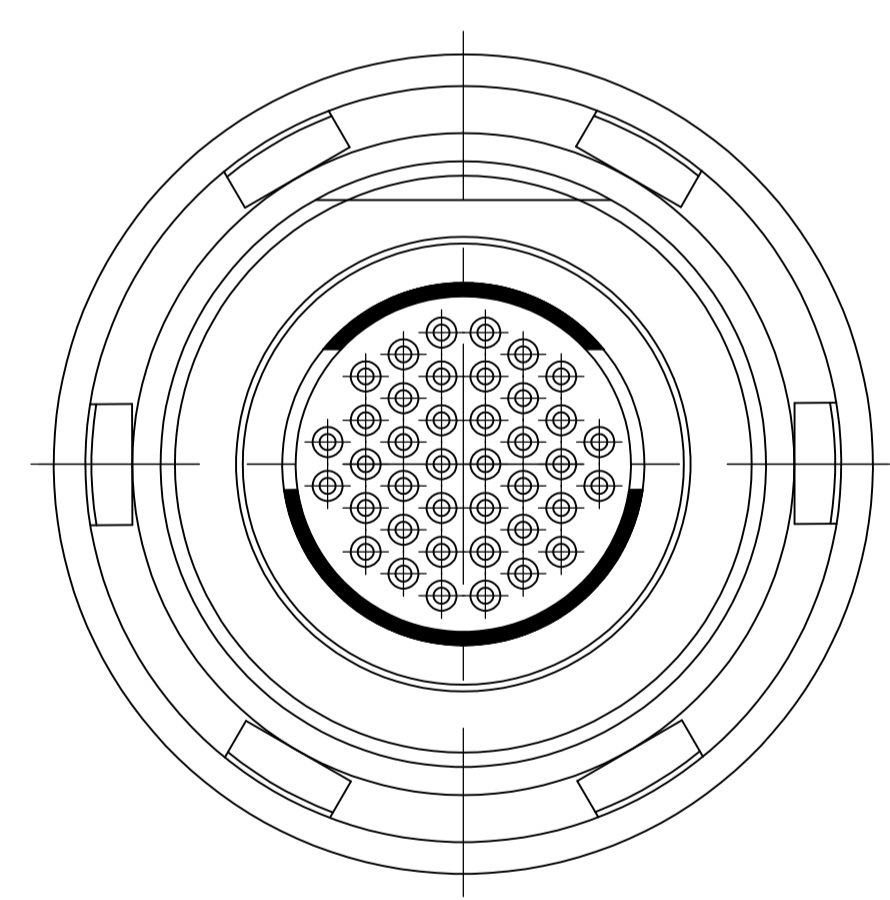
LOC		DIST		REVISIONS			
P	LTR	DESCRIPTION	DATE	DN	APVD		
C		REVISED PER ECO 13-001843.	08FEB2013	MGM	CT		



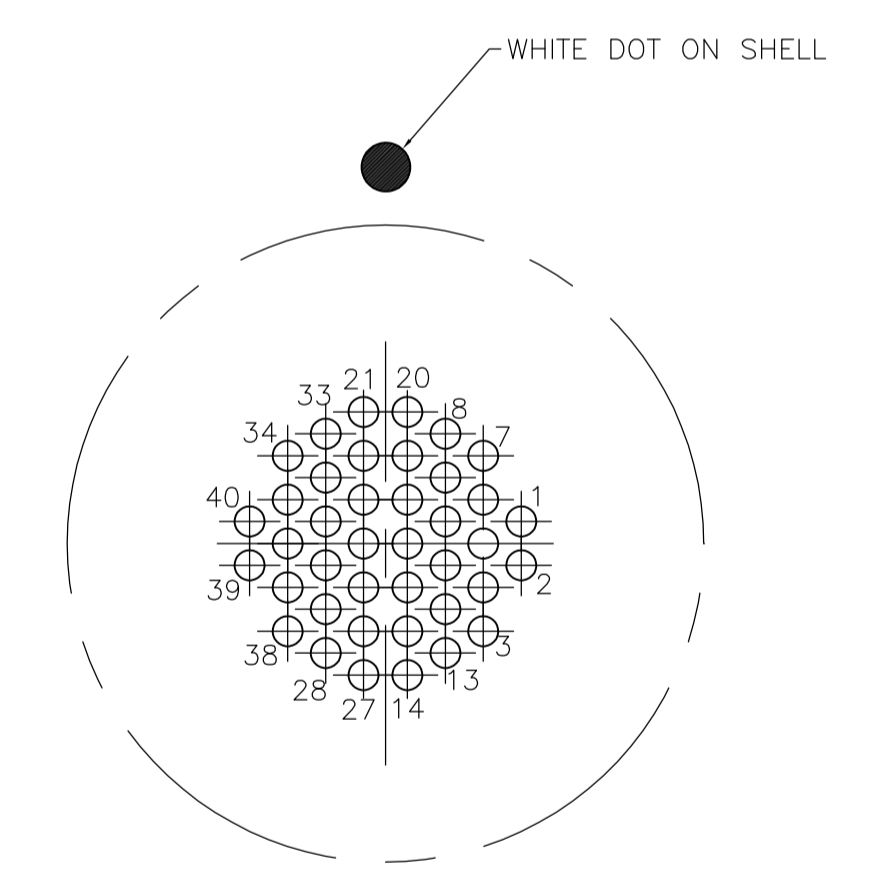
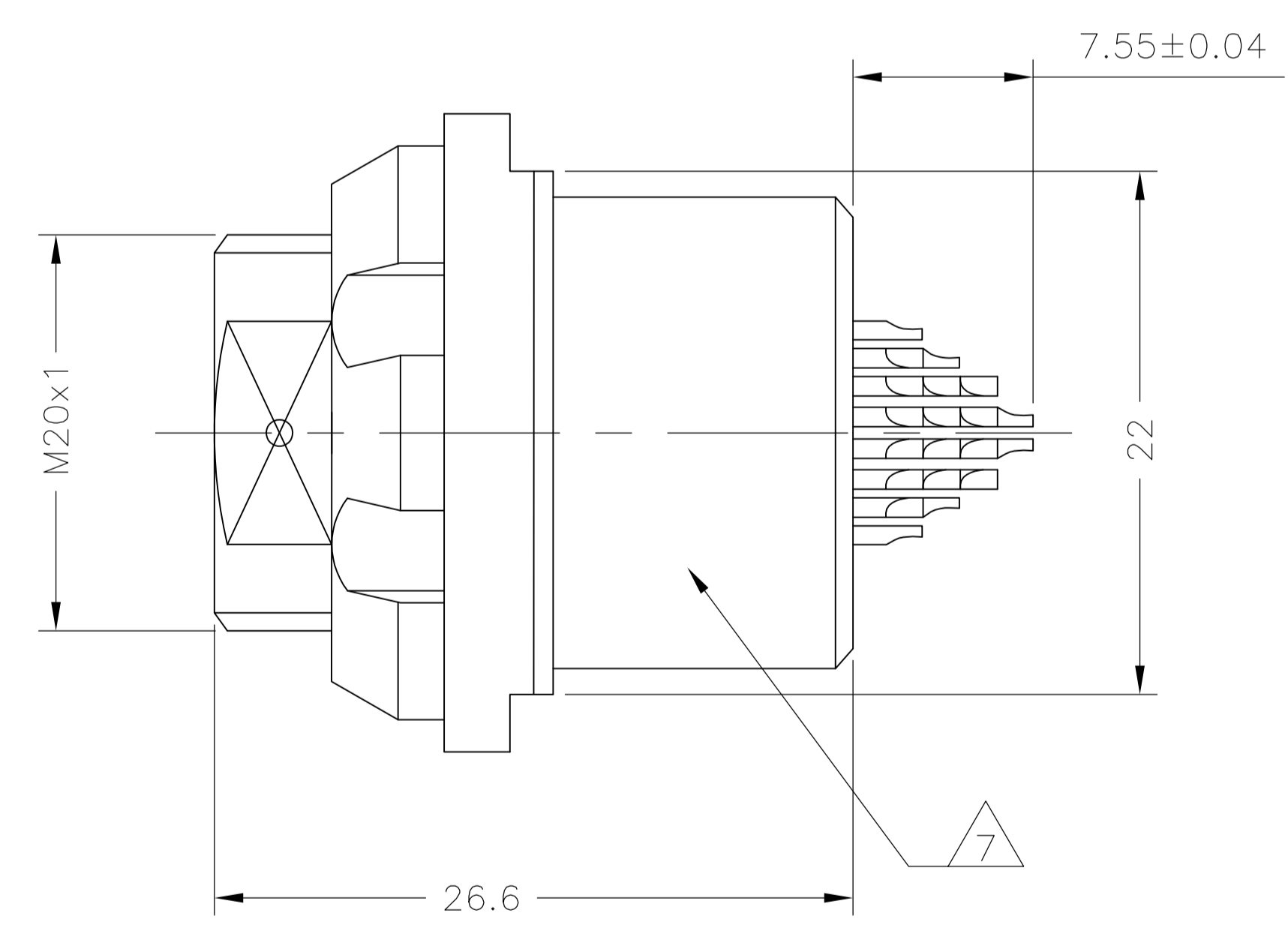
SINGLE POLARIZATION



PANEL CUTOUT



DOUBLE POLARIZATION



CAVITY IDENTIFICATION WHEN VIEWED FROM REAR OF CONNECTOR

- DWV RATING: 725VAC @ SEA LEVEL
- WIRE SIZE: 28 AWG MAX
- WORKING TEMPERATURE: -55°C ~ +125°C

**4** MATERIAL:  
 CONTACT : COPPER ALLOY  
 SHELL : COPPER ALLOY  
 INSULATOR : PEEK  
 O RING : SILICON RUBBER

**5** FINISH  
 CONTACT: GOLD OVER NICKEL  
 SHELL : BLACK CHROMIUM

6. WATER PROOF: 1M IMMERSION

**7** PART IS MARKED WITH TE PART NUMBER, CHINA, DATE CODE AND LOT ID

**8** ALL TOLERANCES +/-0.20 UNLESS NOTED.

5	CHROMIUM-BLACK	DOUBLE	SOLDER CUP	2101677-2
5	CHROMIUM-BLACK	SINGLE	SOLDER CUP	2101677-1
SHELL SIZE	FINISH	POLARIZATION	TERMINATION	TE CONNECTIVITY PART NUMBER

THIS DRAWING IS A CONTROLLED DOCUMENT.

DIMENSIONS: mm	TOLERANCES UNLESS OTHERWISE SPECIFIED:	APPROVED: R. GROSS	DATE: 03MAR2010	TE Connectivity
0 PLC ± -	1 PLC ± -	APPROVED: R. GROSS	DATE: 03MAR2010	
1 PLC ± -	2 PLC ± 0.20	NAME: CIRCULAR HD RECEPTACLE WITH SOLDER CUP SOCKET CONTACTS, PANEL MOUNT 40 POS.	PRODUCT SPEC: 108-127005	SIZE: A1
2 PLC ± -	3 PLC ± -	APPLICATION SPEC: 108-127005	WEIGHT: -	SCALE: NTS
3 PLC ± -	4 PLC ± -	RESTRICTED TO: -	CUSTOMER DRAWING	SHEET 1 OF 1
4 PLC ± -	ANGLES ± °	DATE: 08FEB2013	REV: C	

## X-ON Electronics

Largest Supplier of Electrical and Electronic Components

*Click to view similar products for [Standard Circular Connector](#) category:*

*Click to view products by [TE Connectivity](#) manufacturer:*

Other Similar products are found below :

[C015](#) [10F006](#) [001](#) [1](#) [5M2530B10P](#) [600247N007](#) [600259N006](#) [600273N007](#) [600432N009](#) [6280-2PG-519](#) [6280-3PG-311](#) [6280-3SG-311](#)  
[6280-7SG-3DC](#) [6280-7SG-522](#) [6282-5PG-311](#) [6282-6PG-519](#) [6282-8SG-311](#) [6283-11](#) [6283-15](#) [6290](#) [6293](#) [6382-2PG-311](#) [6382-2PG-3DC](#)  
[6382-2SG-321](#) [6382-2SG-3DC](#) [6382-4SG-516](#) [67-03E20-37P](#) [681-PMG](#) [CXS3102A14S2P](#) [CXS3102A181S](#) [CXS3106A14S6S](#) [MB12P-1](#)  
[MB12R-6](#) [7251-2PG-300](#) [7251-2SG-300](#) [7251-4PG-300](#) [7251-4SG-300](#) [7251-5PG-300](#) [7251-5SG-300](#) [7251-6SG-300](#) [7251-7PG-300](#) [7251-](#)  
[8PG-300](#) [7271-6SG-300](#) [7282-3PG-300-CH3](#) [73000005663](#) [75-190011-03P](#) [75-190216-08S](#) [75-190218-10P](#) [75-214636-52P](#) [75-474118-10P](#)  
[75-474211-03P](#) [75-474218-19S](#) [75-474618-01S](#)