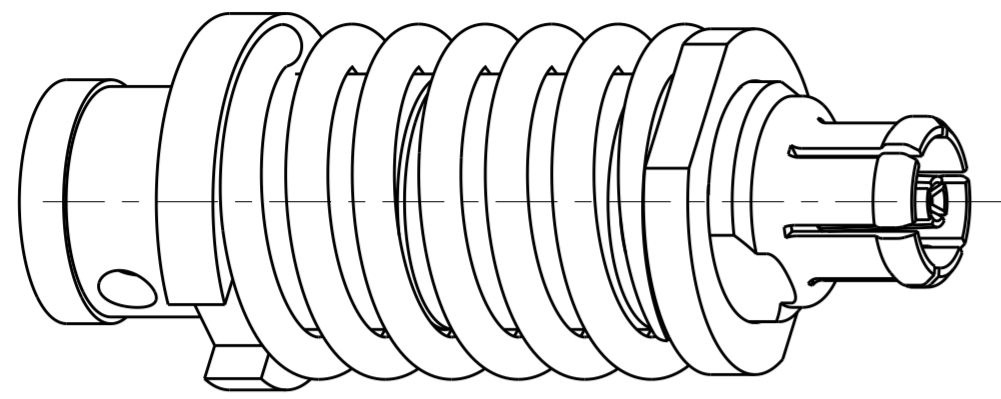


THIS DRAWING IS UNPUBLISHED. RELEASED FOR PUBLICATION
 © COPYRIGHT - BY - ALL RIGHTS RESERVED.

REVISIONS				
P	LTR	DESCRIPTION	DATE	APVD
E		REV PER ECO 18-000314	1-9-18	CT DW

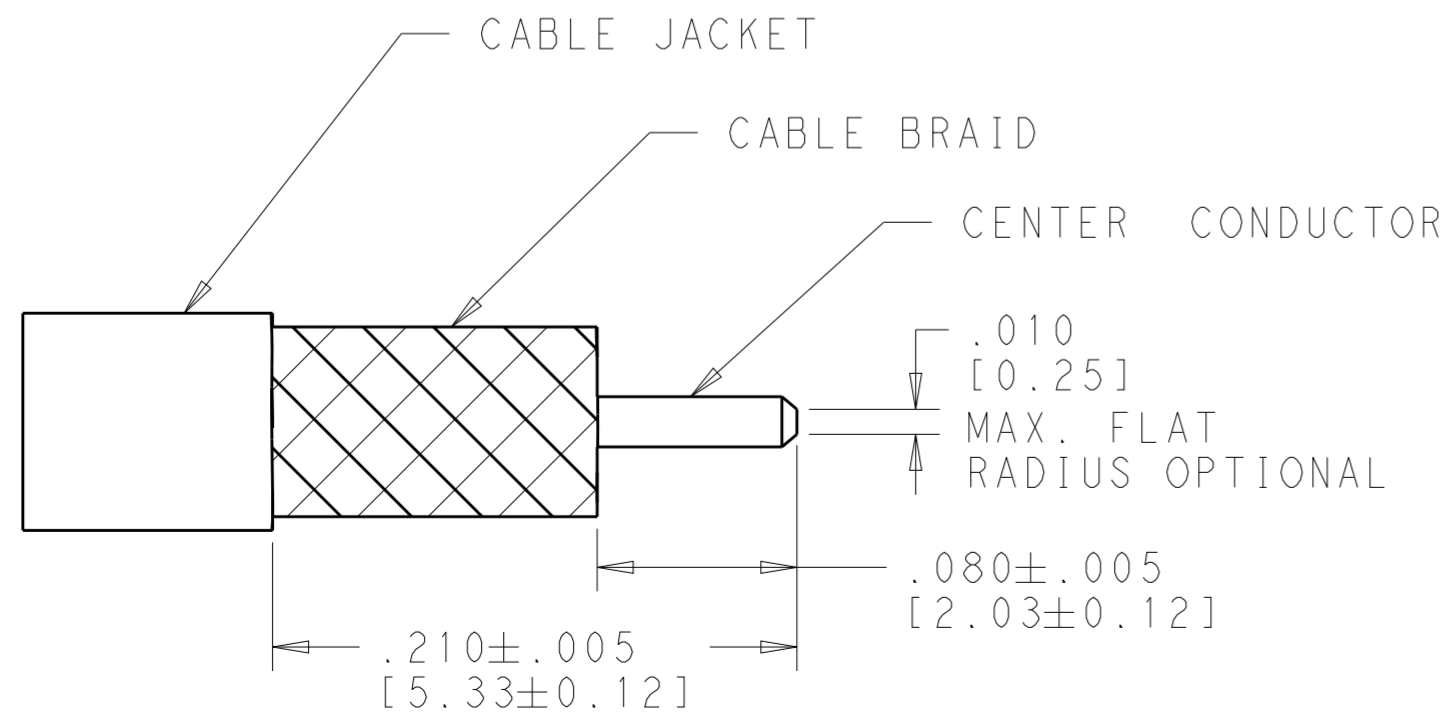
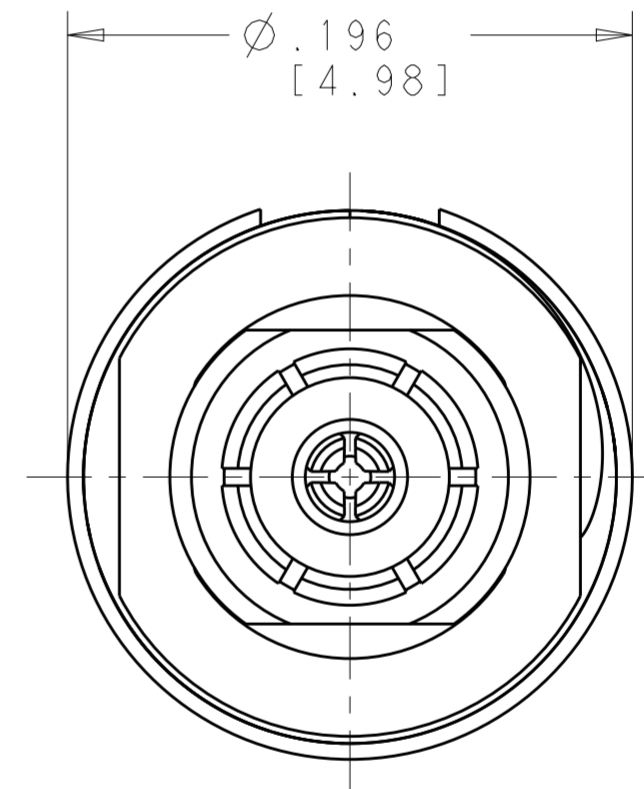
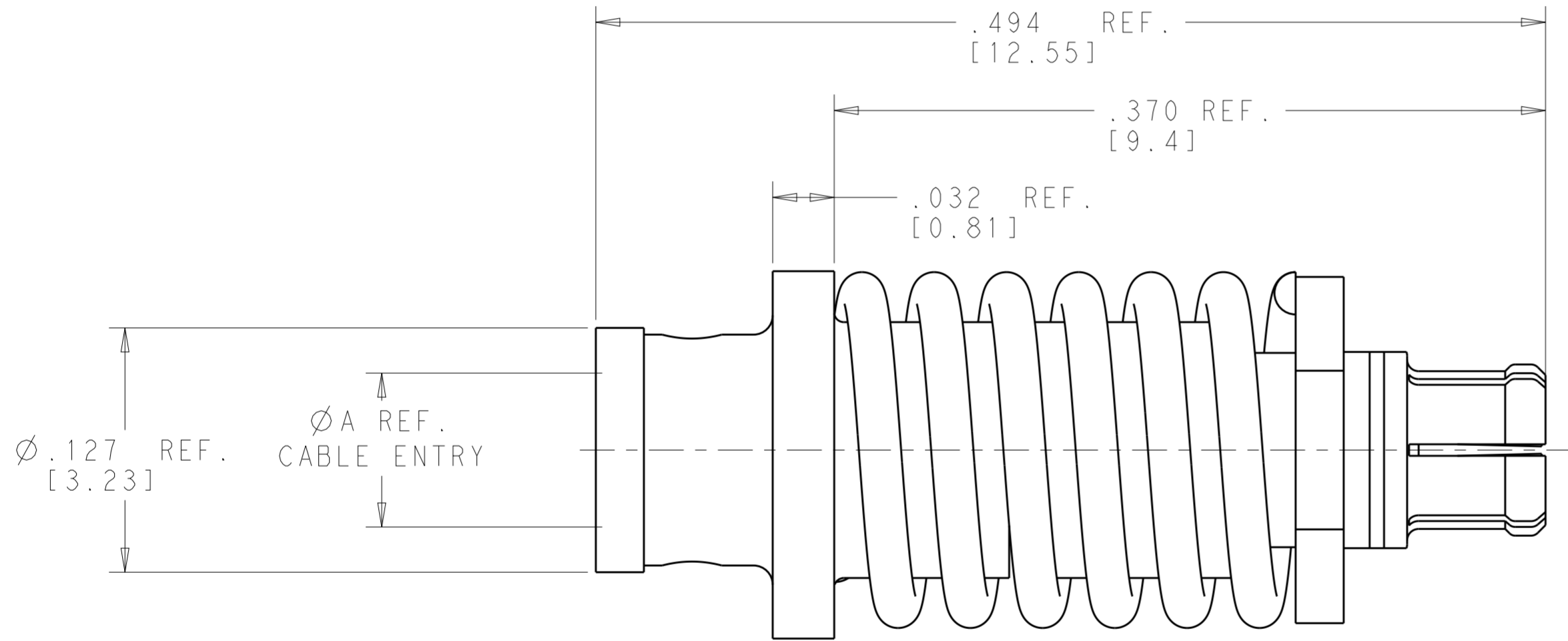


SCALE 10:1

1 MATERIAL:
 BODY & CENTER CONTACT - BERYLIUM COPPER,
 ALLOY UNS C17300 CONDITION TDO4, PER ASTM B196
 INSULATOR - TEFLON (PTFE) ROD, PER ASTM D 1710
 RETAINING RING - STAINLESS STEEL, PER UNS S30200
 SPRING - MUSIC WIRE, PER ASTM A228

2 FINISH:
 BODY & CENTER CONTACT - GOLD PLATE, PER ASTM B488
 OVER NICKEL PLATE PER SAE-ASM-QQ-N-290
 RETAINING RING - PASSIVATED
 SPRING - NICKEL PLATE, PER SAE-ASM-QQ-N-290

3. SPRING FORCE:
 PRELOAD = 2.35 ±.25 LBF
 FORCE AT .052 DEFLECTION = 3.60±.25 LBF
 MINIMUM FULL DEFLECTION = .078 [2.0]



CABLE PREPARATION

CC-.0201 [0.51] NOM BRD-.078 [1.98] NOM	.083 [2.11]	2101814-2
CC-.0197 [0.5] NOM BRD-.0756 [1.92] NOM	.080 [2.03]	2101814-1
CABLE	DIM A	PART NUMBER

THIS DRAWING IS A CONTROLLED DOCUMENT.		DWN 07JUL2010 S.T. Morley	STE TE Connectivity	
DIMENSIONS: INCHES [mm]		CHK 07JUL2010 S.T. Morley		
TOLERANCES UNLESS OTHERWISE SPECIFIED:		APVD 07JUL2010 S.T. Morley	NAME SMPM STRAIGHT CABLE JACK (F) FLOATING PANEL MOUNT - FOR USE WITH LOW LOSS CABLE	
0 PLC ±.1	1 PLC ±.01	PRODUCT SPEC	SIZE CAGE CODE DRAWING NO	
2 PLC ±.005	3 PLC ±.0005	APPLICATION SPEC	RESTRICTED TO	
4 PLC ±.0005	ANGLES ±1.0°	408-10373	A200779 C-2101814	
MATERIAL	FINISH	WEIGHT	CUSTOMER DRAWING	
1	2		SCALE 15:1 SHEET 1 OF 1 REV E	

X-ON Electronics

Largest Supplier of Electrical and Electronic Components

Click to view similar products for [TE Connectivity](#) manufacturer:

Other Similar products are found below :

[D38999/24FJ4AN](#) [570416-000](#) [CLTEQ-M81CE-SSRELAY-4-20V](#) [4-1195131-0](#) [650069-000](#) [SMD100-2](#) [358838-000](#) [CB-1022B-78](#)
[RM707012](#) [RP410012](#) [MMS42](#) [1-640426-8](#) [2EDL4CM](#) [DTS20W19-11PD-3028-LC](#) [RM202615](#) [NC6-P104-06](#) [MSPS103B](#) [DTS26F21-](#)
[41HE-LC](#) [DTS26F21-41AE](#) [DTS26F21-41PE-LC](#) [DTS26F21-11SE-3028-LC](#) [30DCB6](#) [1932144-1](#) [293545-4](#) [LVR125S](#) [MS27466T25F4PB](#)
[CKB-38-78010](#) [TR04AI-TINELLOCKRING](#) [1206SFF150F/63-2](#) [D38999/20JB35HA](#) [TE1500A2R2J](#) [D38999/20WC8BB](#) [DTS24F19-11SC-](#)
[3028-LC](#) [D38999/24WG11HA](#) [D38999/24WG11HN](#) [MS27467T21F11H](#) [DJT16E21-11HA](#) [MS27467T21F35J](#) [MS27467T21F11J](#)
[MS27467T21F16H-LC](#) [MS27467T21F35H](#) [MS27467T21F41H-LC](#) [1206SFH150F/24-2](#) [RP330024](#) [DJT16E21-11PA-LC](#) [DJT16E21-11HA-](#)
[LC](#) [DJT16E21-11AA](#) [MS27467T21B11JA](#) [DJT16E21-11JA](#) [MS27467T21B11JA-LC](#)