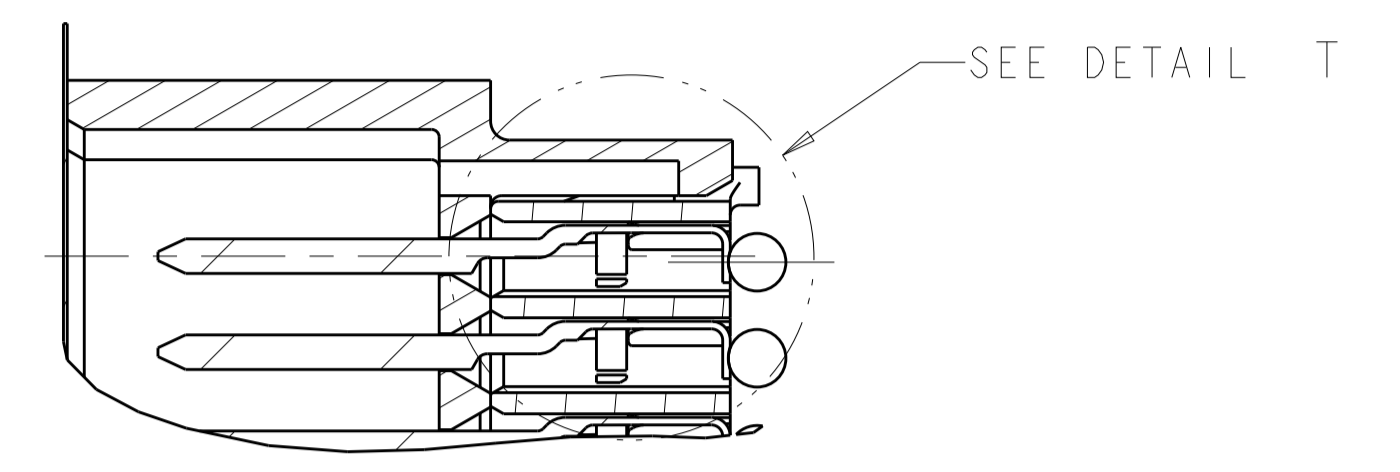
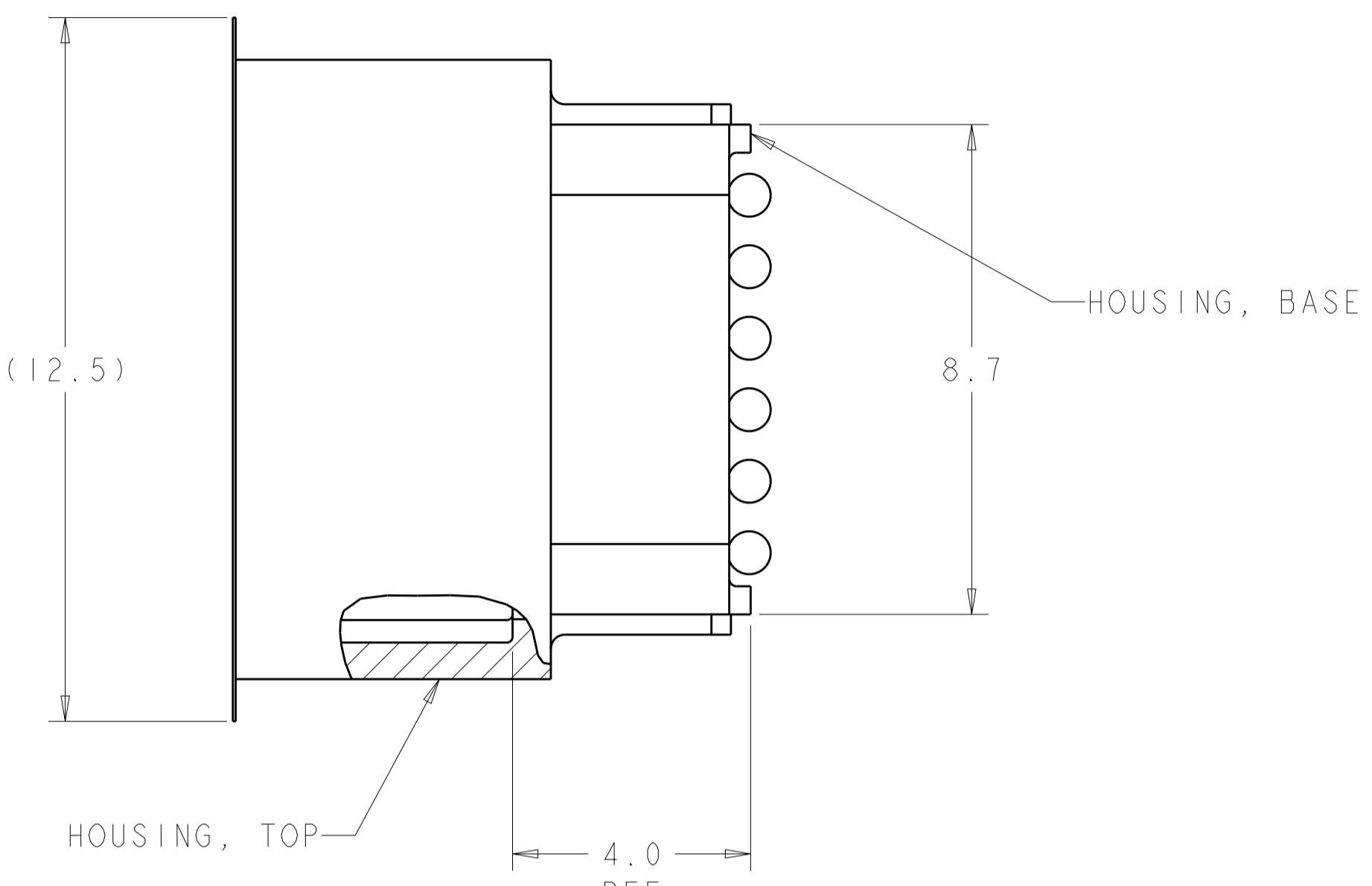
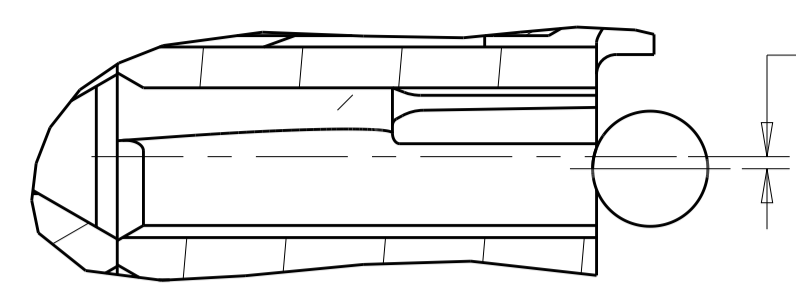
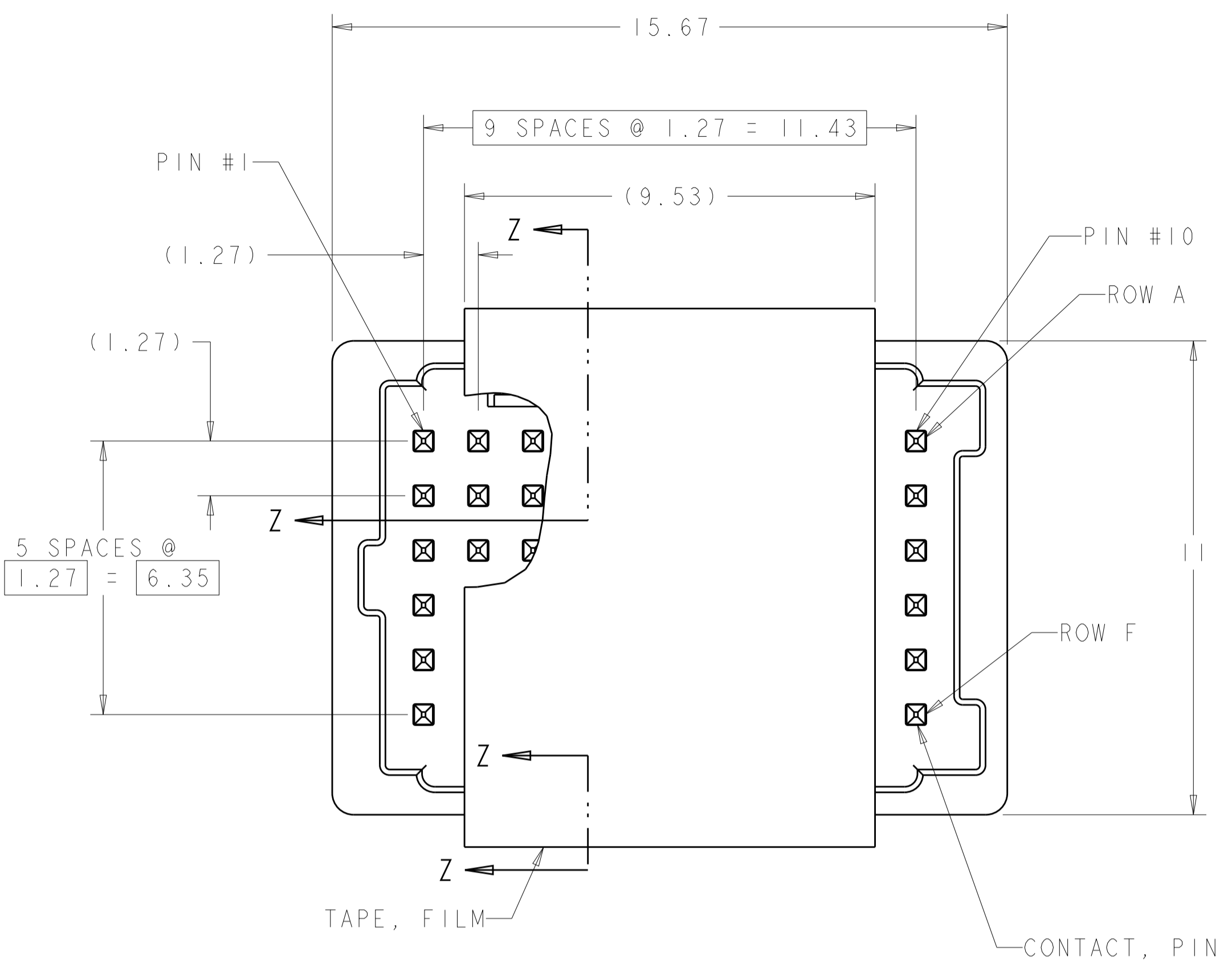
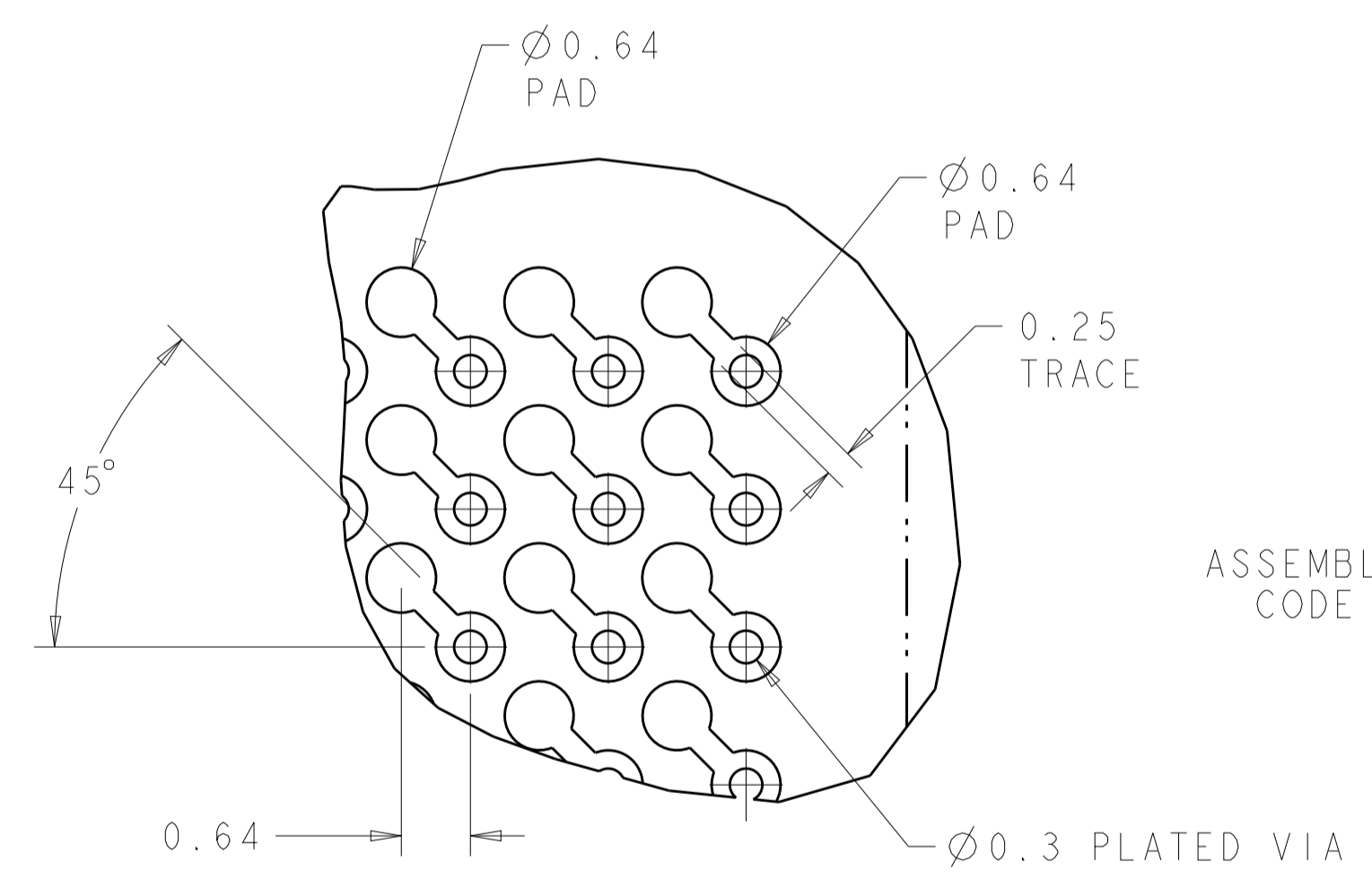
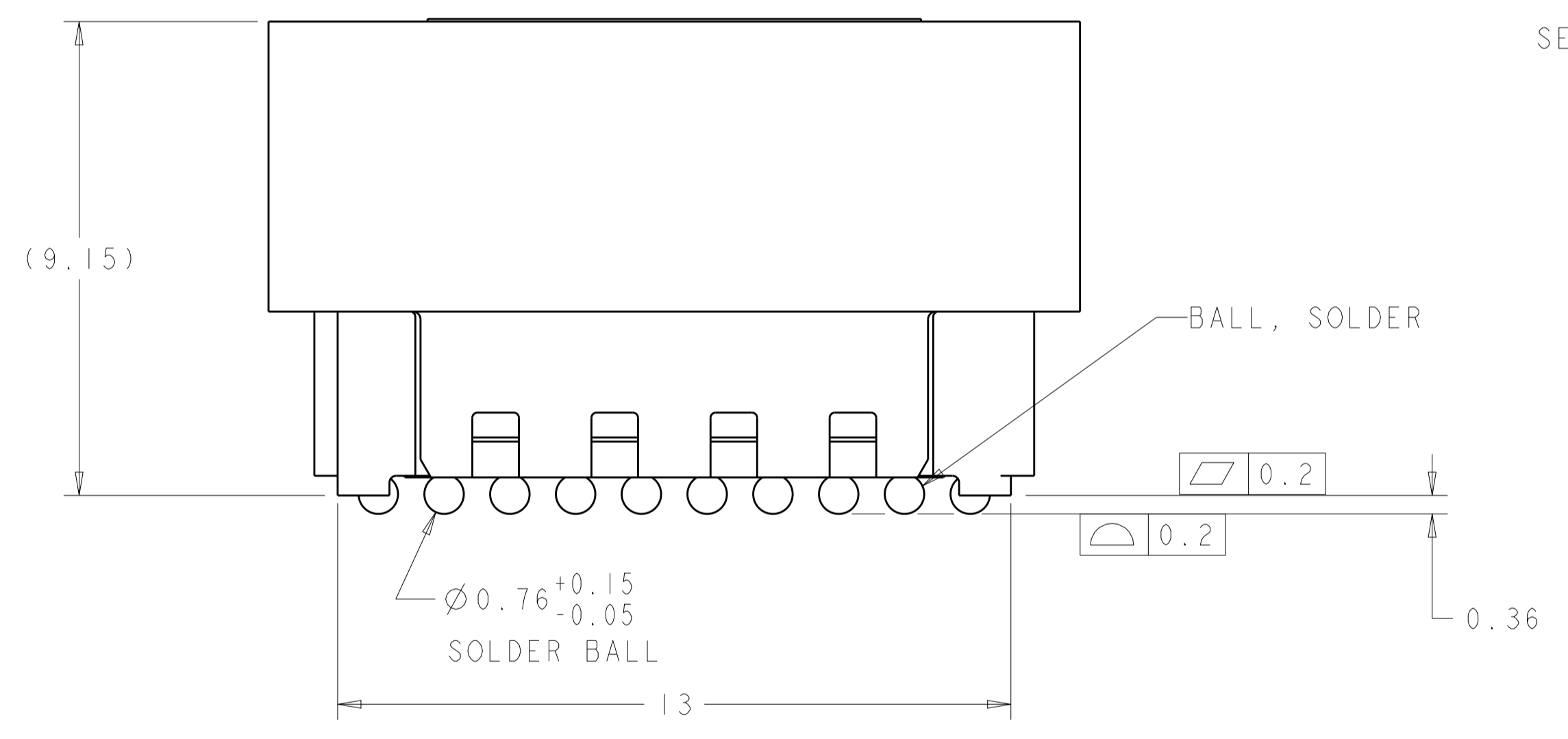


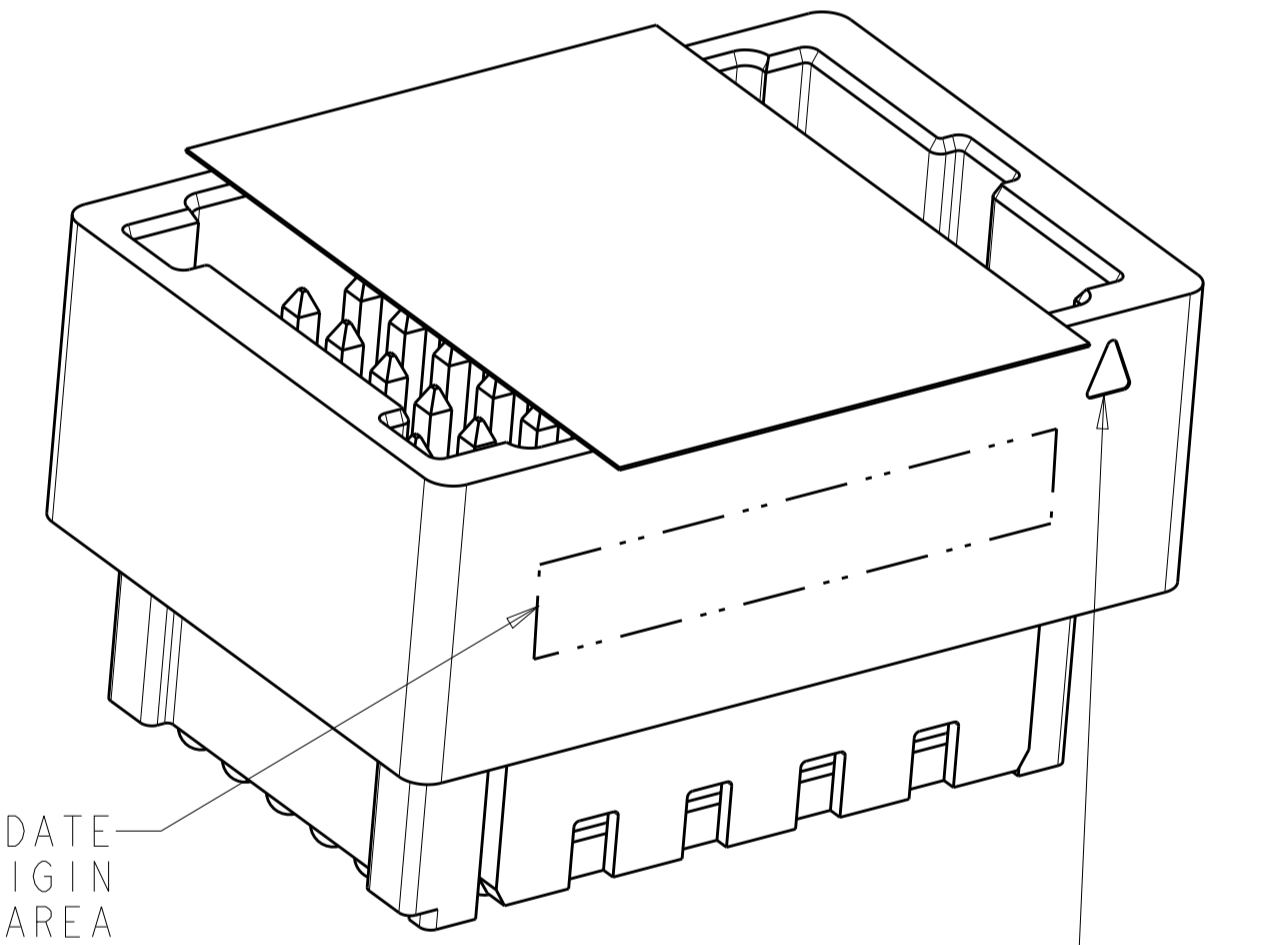
REVISIONS					
REV	DATE	DESCRIPTION	BY	CHK	APPV
E	1-24-18	REV PER ECO 18-010457	CT	CJ	
F	21MAR2019	REVISED PER ECO-19-004671	DCB	RL	



SECTION Z-Z



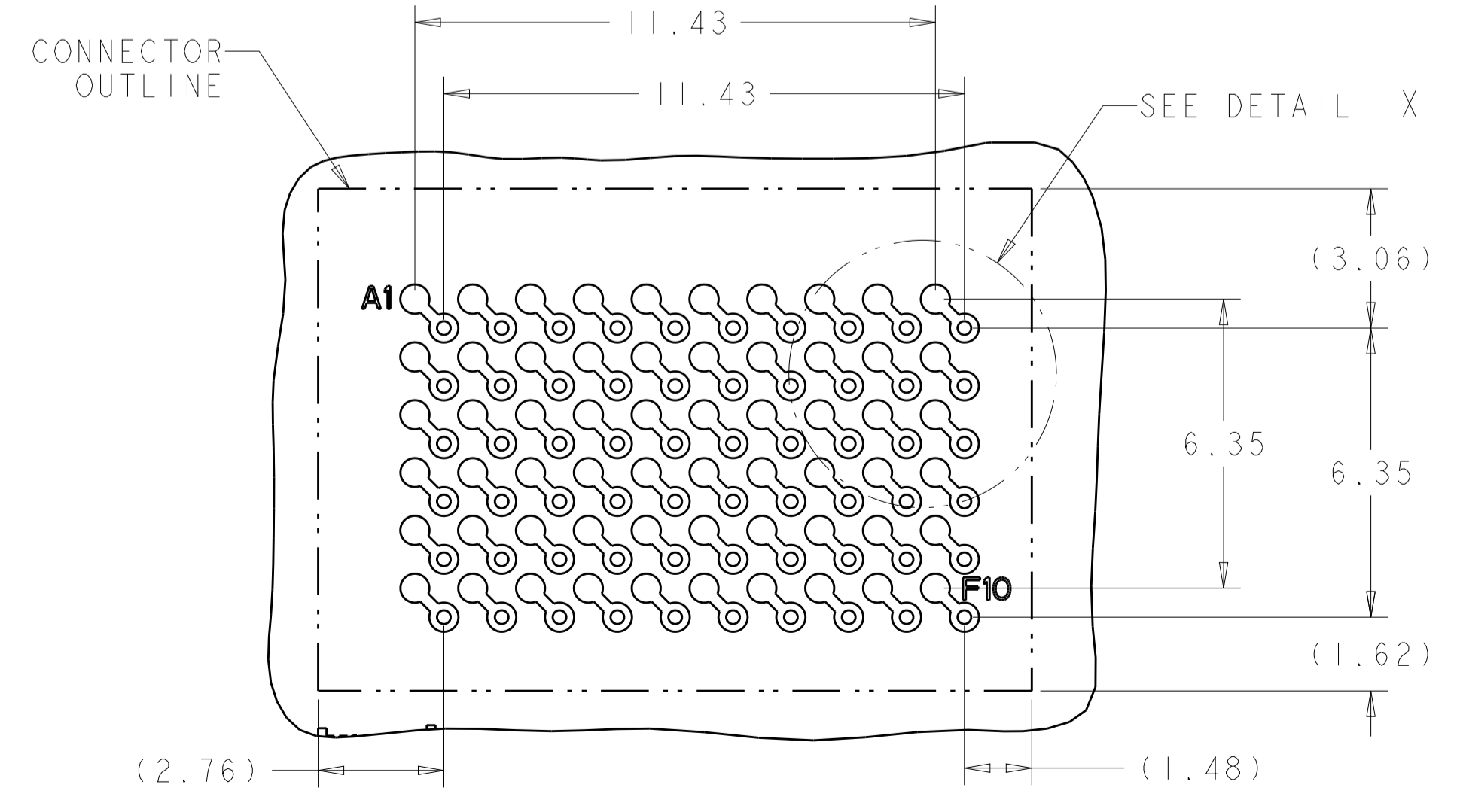
DETAIL X SCALE 16:1



ASSEMBLY PART NUMBER, DATE CODE & COUNTRY OF ORIGIN MARKED IN THIS AREA

A1 INDICATOR MARKED APPROX AS SHOWN

SCALE 8:1



PCB LAYOUT (CONNECTOR SIDE) SCALE - 8:1

SUPERSEDED BY 2102079-2	1-2102080-2	2102080-8	2102080-6	0.76 $\mu$ m	LEAD FREE PER SAC405	2102079-4
SUPERSEDED BY 2102079-1	1-2102080-1	2102080-7	2102080-5	0.76 $\mu$ m	TIN LEAD	2102079-3
	1-2102080-0	2102080-4	2102080-2	1.27 $\mu$ m	LEAD FREE PER SAC405	2102079-2
	2102080-9	2102080-3	2102080-1	1.27 $\mu$ m	TIN LEAD	2102079-1
	18 mm STACK HEIGHT MATING CONNECTOR	12mm STACK HEIGHT MATING CONNECTOR	10mm STACK HEIGHT MATING CONNECTOR	GOLD PLATING THICKNESS	SOLDER BALL MATERIAL	PART NUMBER

- 1 MATERIAL: HOUSINGS ; LCP, COLOR-NATURAL CONTACT; PHOSPHOR BRONZE SOLDER BALL; SEE TABLE TAPE, FILM; KAPTON WITH SILICON ADHESIVE
- 2 FINISH: CONTACT; GOLD (SEE TABLE) ON MATING AREA OVER NICKEL ON ENTIRE CONTACT.

THIS DRAWING IS A CONTROLLED DOCUMENT.

DIMENSIONS:	TOLERANCES UNLESS OTHERWISE SPECIFIED:	DWN G. DUTY 22JUL2009	CHK K. DOWHOWER 22JUL2009	APV K. DOWHOWER 22JUL2009
mm	0 PLC $\pm$	PRODUCT SPEC 108-2411		
	1 PLC $\pm 0.13$	APPLICATION SPEC 114-13279		
	2 PLC $\pm$	WEIGHT		
	3 PLC $\pm$	CUSTOMER DRAWING		
	4 PLC $\pm$	SCALE 8:1 SHEET 1 OF 1 REV F		

STE TE Connectivity

NAME ASSEMBLY, PIN, 60 POSITION, MEZALOK STACKING CONNECTOR

SIZE CAGE CODE DRAWING NO. RESTRICTED TO A100779C=2102079

## X-ON Electronics

Largest Supplier of Electrical and Electronic Components

*Click to view similar products for [Board to Board & Mezzanine Connectors](#) category:*

*Click to view products by [TE Connectivity](#) manufacturer:*

Other Similar products are found below :

[10135583-642402LF](#) [89885-310LF](#) [589158040000018](#) [6-1393048-0](#) [68683-613](#) [MDF7-12DP-2.54DSA](#) [MDF7-18P-2.54DSA\(01\)](#) [MDF7-20DP-2.54DSA](#) [MDF7-26D-2.54DSA\(55\)](#) [MDF7-3P-2.54DSA\(01\)](#) [MDF7B-20P-2.54DSA\(01\)](#) [MDF7B-3P-2.54DSA\(55\)](#) [MDF7C-18P-2.54DSA\(55\)](#) [MDF7P-5P-2.54DSA\(55\)](#) [75234-0516](#) [FCN-230C068-11](#) [FCN-268F012-G/BD](#) [FCN-268F036-G/BD](#) [FCN-268M012-G/0D](#) [FCN-268M024-G/1D](#) [FCN-360C008-C](#) [FCN-723J004/1](#) [MIS-048-01-F-D-DP-K](#) [832-10-034-10-001000](#) [93696-325LF](#) [11828-1FA](#) [AXK630345P](#) [18097-0013](#) [2007042-2](#) [304400-2](#) [FCN-214Q030-G/0](#) [FCN-215Q040-G/0](#) [FCN-230C068-ESA](#) [FCN-234P048-G/0](#) [FCN-235D050-G/C](#) [FCN-360A3](#) [FCN-360C040-B](#) [210-93-314-41-105000](#) [2-22603-0](#) [379-064-521-202](#) [MDF7-12P-2.54DSA\(01\)](#) [MDF7-16P-2.54DS\(56\)](#) [MDF7-16P-2.54DSA\(55\)](#) [MDF7-40DP-2.54DSA\(55\)](#) [MDF7-8P-2.54DSA\(55\)](#) [AXG720047](#) [5031084030](#) [55323-1519](#) [DF33-2P-3.3DSA\(24\)](#) [DF33-2S-3.3C](#)