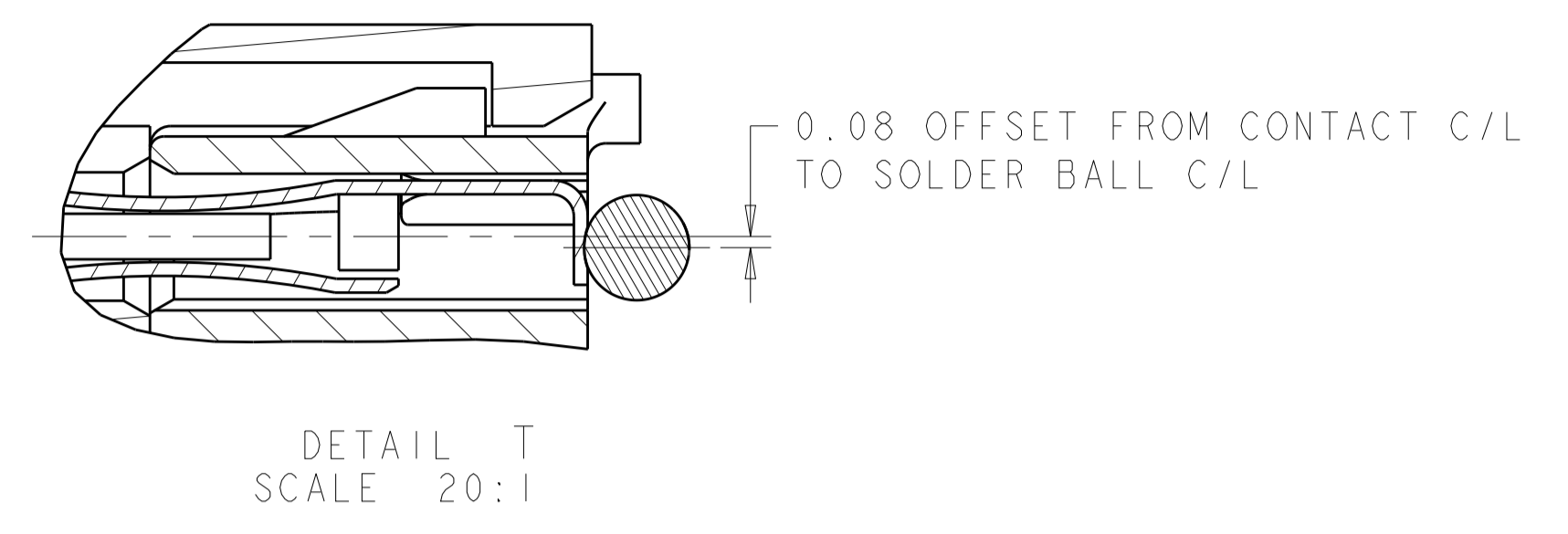
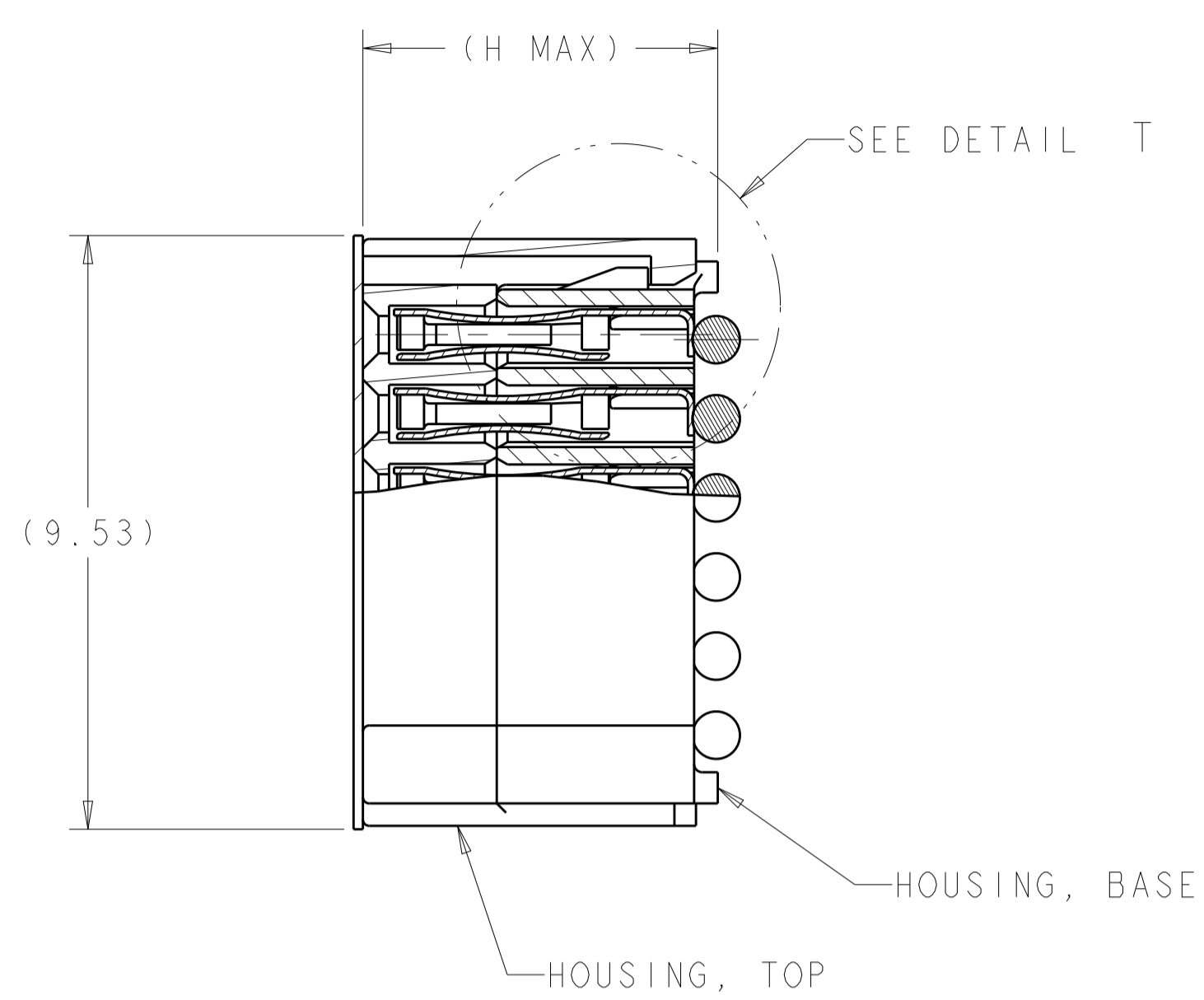
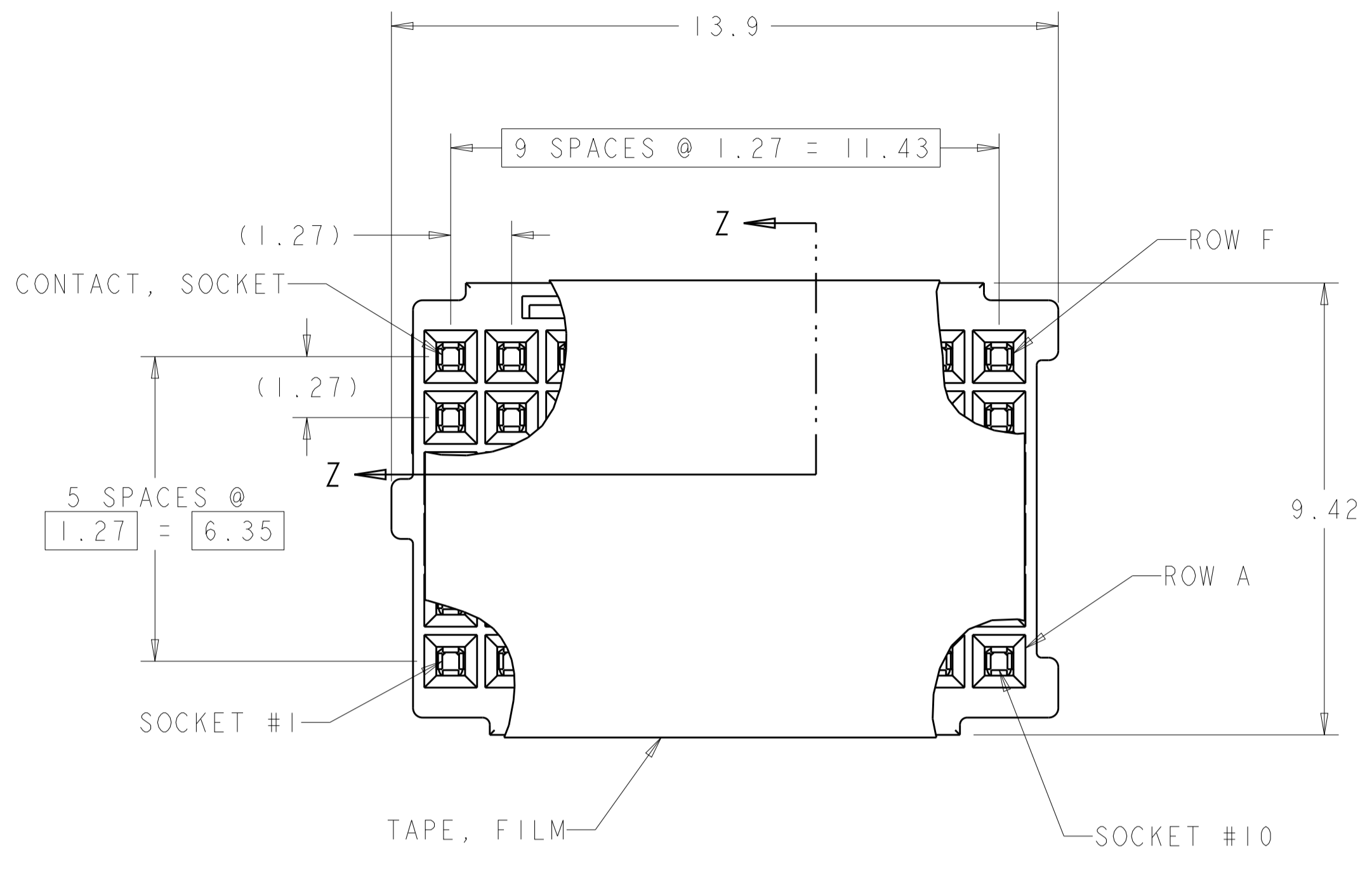
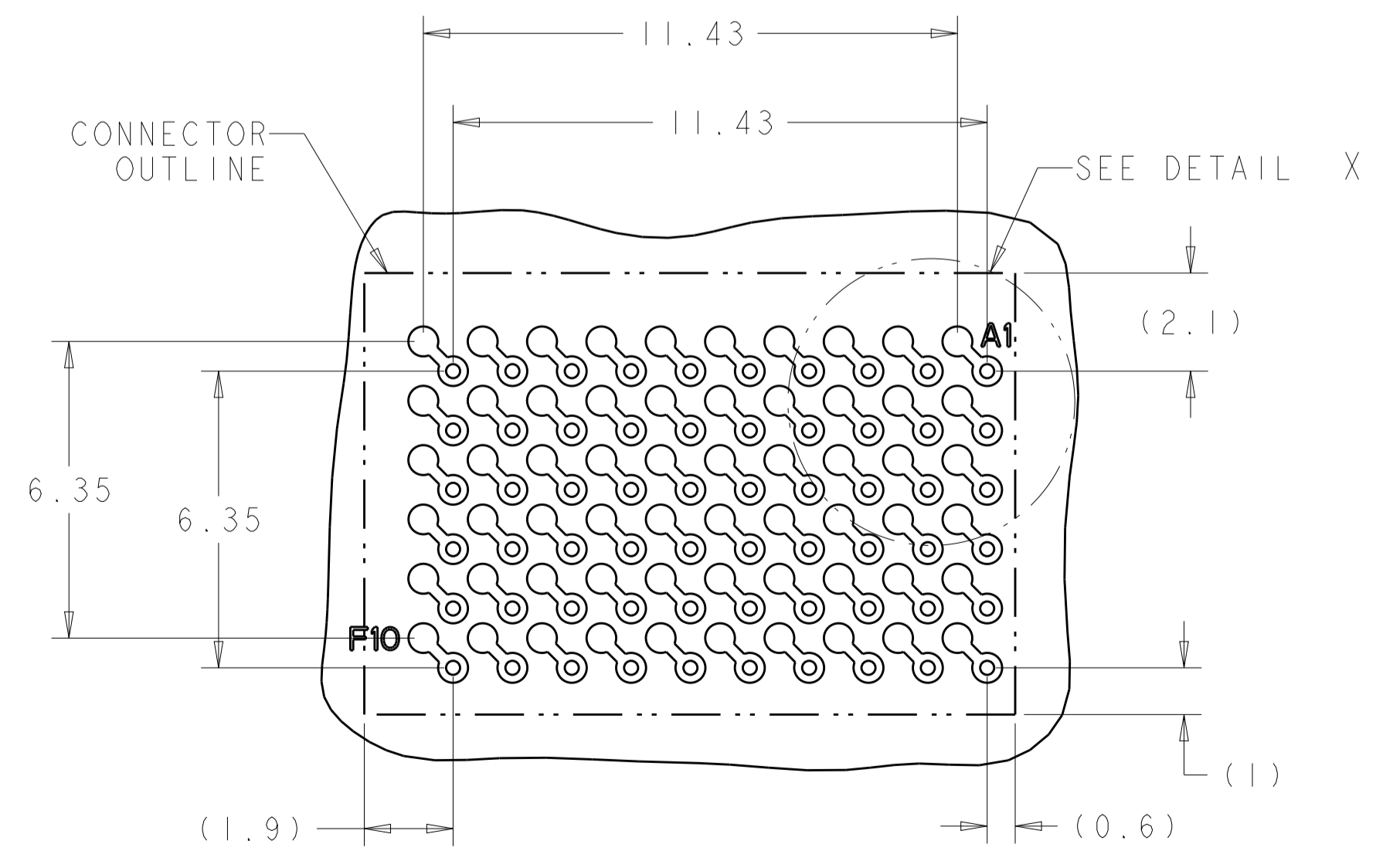
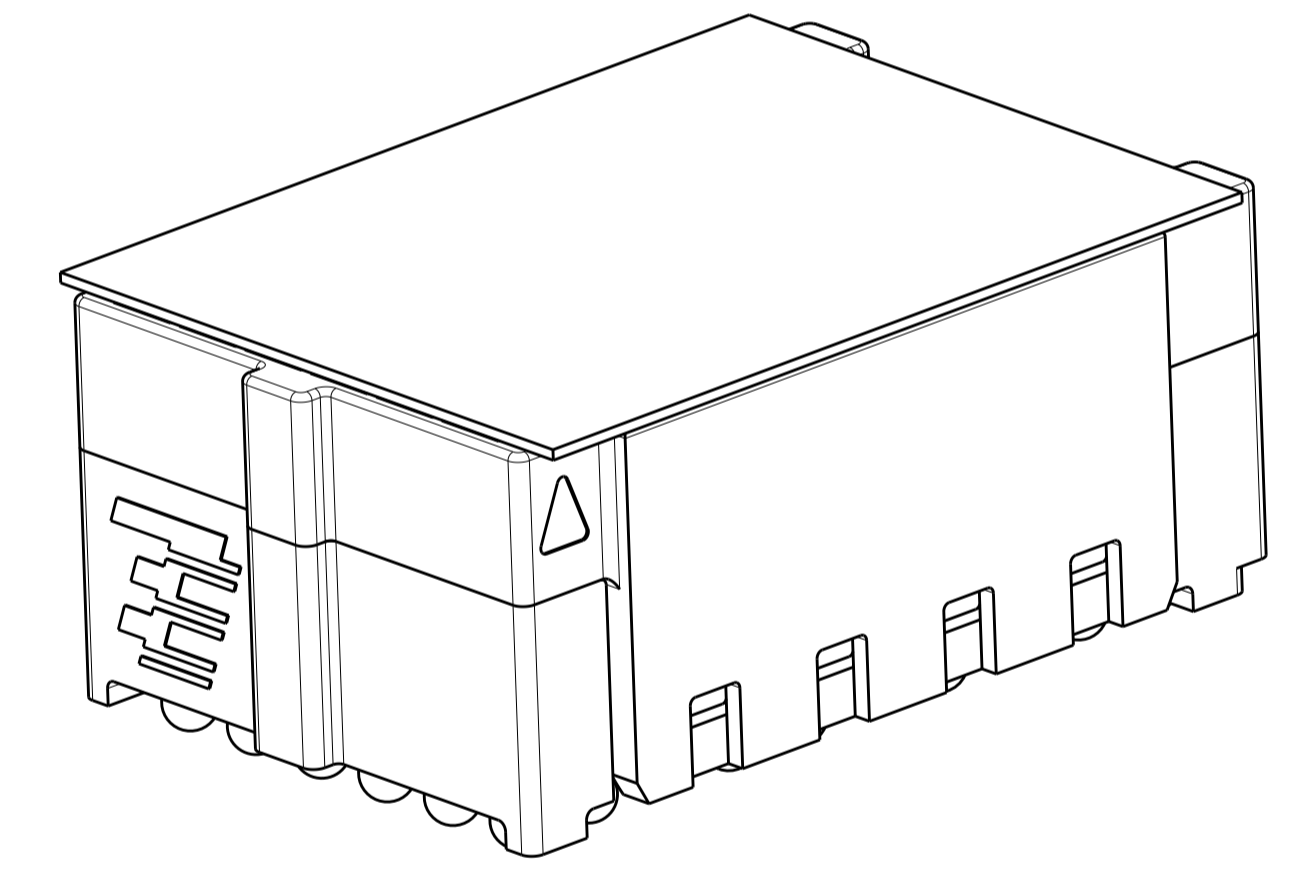
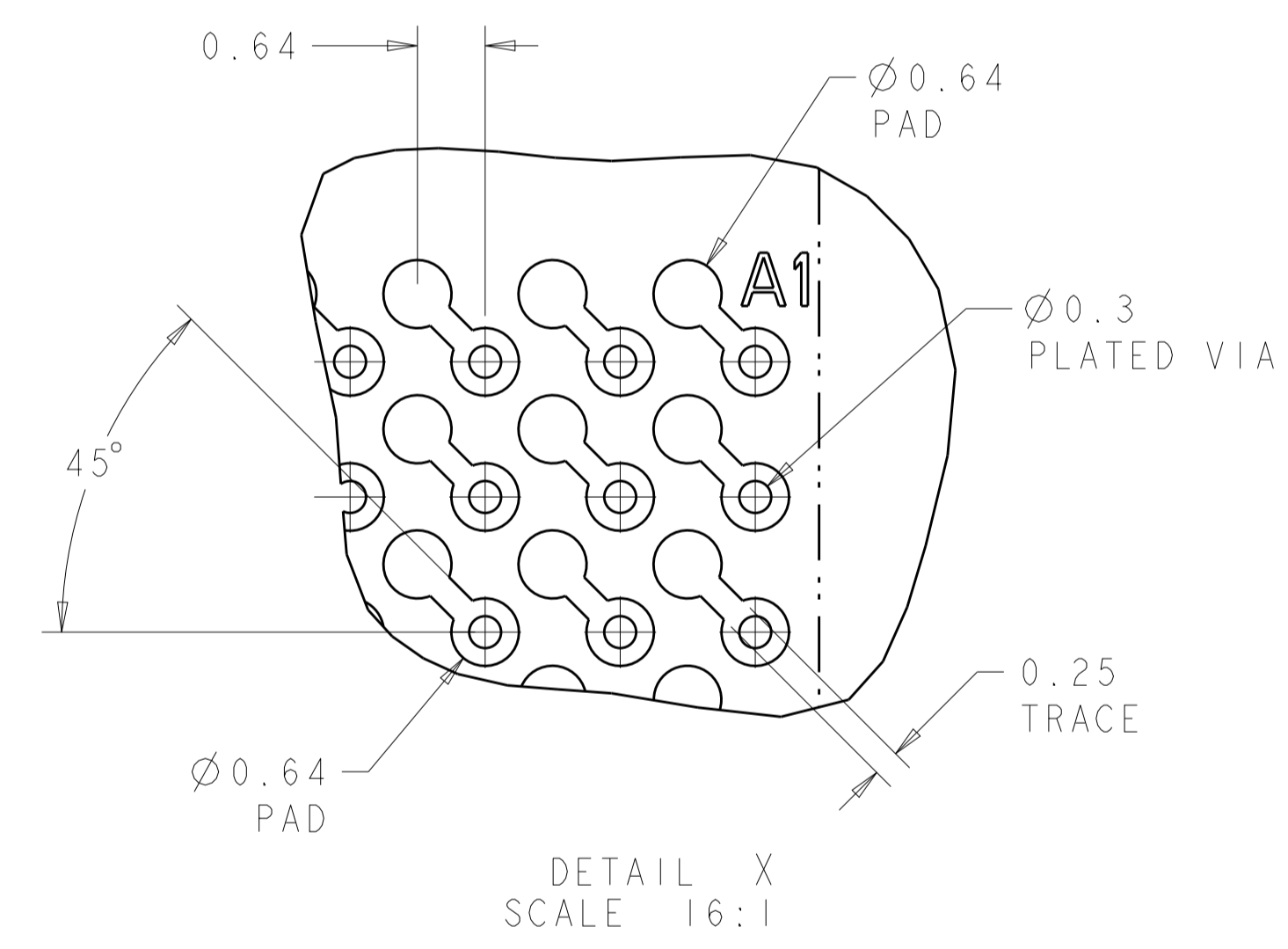
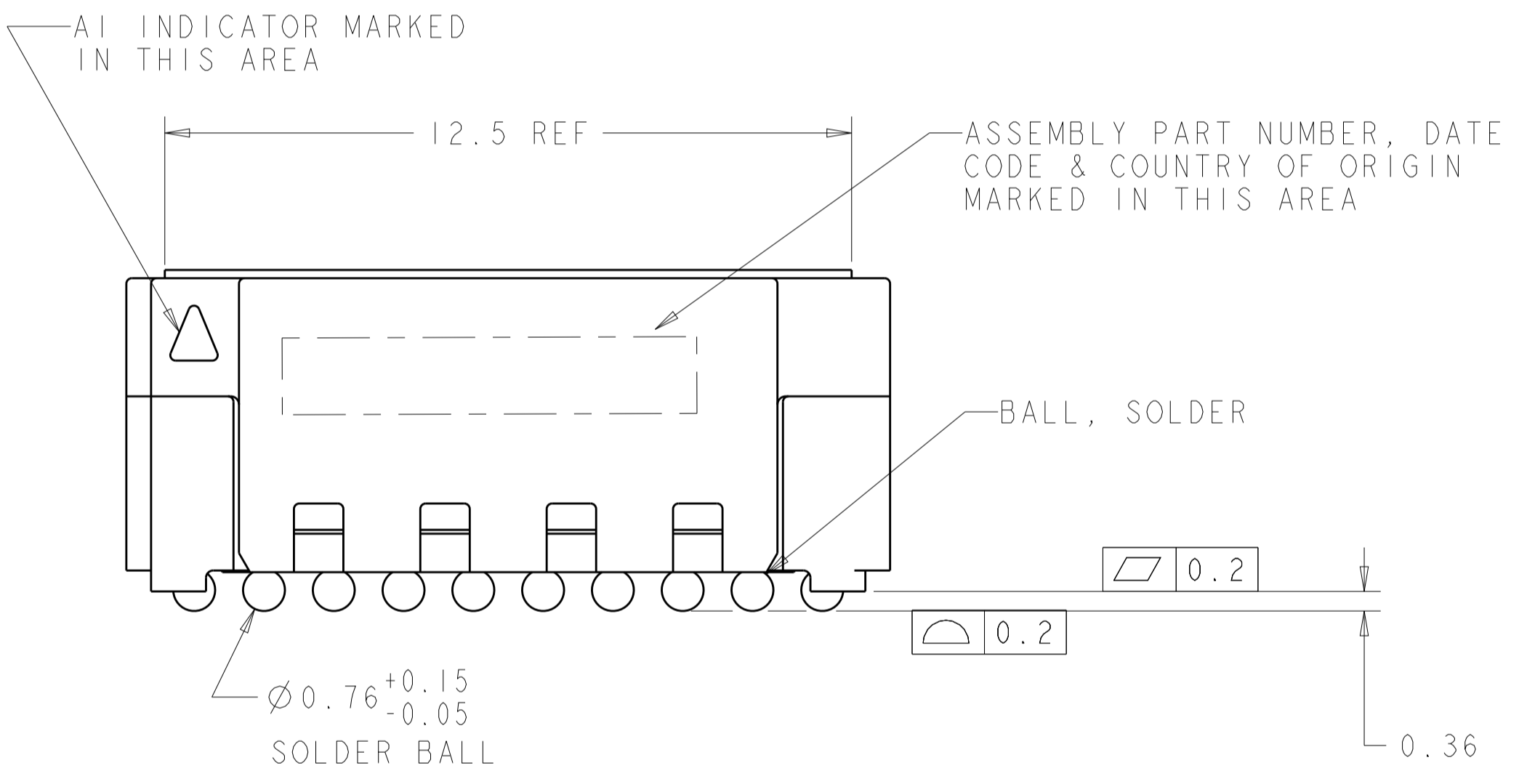


REVISIONS					
P.	LTN	DESCRIPTION	DATE	DWN	APVD
E		REV PER ECO 18-010457	7-24-18	CT	CJ
F		REVISED PER ECO-19-004671	26MAR2019	DCB	RL



△ MATERIAL: HOUSINGS; LCP, COLOR-NATURAL
CONTACT; BERYLLIUM COPPER
SOLDER BALL; SEE TABLE
TAPE, FILM; KAPTON WITH SILICON ADHESIVE

△ FINISH: CONTACT; GOLD (SEE TABLE) ON MATING AREA OVER NICKEL ON ENTIRE CONTACT.



SUPERSEDED BY 2102080-4	2102079-4	12	0.76 μ m	8	LEAD FREE PER SAC405	2102080-8
SUPERSEDED BY 2102080-3	2102079-3	12	0.76 μ m	8	TIN LEAD	2102080-7
SUPERSEDED BY 2102080-2	2102079-4	10	0.76 μ m	6	LEAD FREE PER SAC405	2102080-6
SUPERSEDED BY 2102080-1	2102079-3	10	0.76 μ m	6	TIN LEAD	2102080-5
	2102079-2	12	1.27 μ m	8	LEAD FREE PER SAC405	2102080-4
	2102079-1	12	1.27 μ m	8	TIN LEAD	2102080-3
	2102079-2	10	1.27 μ m	6	LEAD FREE PER SAC405	2102080-2
	2102079-1	10	1.27 μ m	6	TIN LEAD	2102080-1
MATING PART NUMBER	MATED STACK HEIGHT (mm)	GOLD PLATING THICKNESS	H MAX REF	SOLDER BALL MATERIAL	PART NUMBER	

PCB LAYOUT (CONNECTOR SIDE)
SCALE 8:1

THIS DRAWING IS A CONTROLLED DOCUMENT.

DWN: G. DOWNEY 23JUL2009
CHK: K. DOWHOWER 23JUL2009
APVD: K. DOWHOWER 23JUL2009

TE Connectivity

NAME: ASSEMBLY, SOCKET, 60 POSITION, MEZALOK STACKING CONNECTOR

PRODUCT SPEC: 108-2411
APPLICATION SPEC: 114-13279

SIZE: A1
CAGE CODE: 100779
DRAWING NO: C=2102080

RESTRICTED TO: F

SCALE: 8:1 SHEET: 1 OF 1 REV: F

X-ON Electronics

Largest Supplier of Electrical and Electronic Components

Click to view similar products for [Board to Board & Mezzanine Connectors](#) category:

Click to view products by [TE Connectivity](#) manufacturer:

Other Similar products are found below :

[10135583-642402LF](#) [89885-310LF](#) [589158040000018](#) [6-1393048-0](#) [68683-613](#) [MDF7-12DP-2.54DSA](#) [MDF7-18P-2.54DSA\(01\)](#) [MDF7-20DP-2.54DSA](#) [MDF7-26D-2.54DSA\(55\)](#) [MDF7-3P-2.54DSA\(01\)](#) [MDF7B-20P-2.54DSA\(01\)](#) [MDF7B-3P-2.54DSA\(55\)](#) [MDF7C-18P-2.54DSA\(55\)](#) [MDF7P-5P-2.54DSA\(55\)](#) [75234-0516](#) [FCN-230C068-11](#) [FCN-268F012-G/BD](#) [FCN-268F036-G/BD](#) [FCN-268M012-G/0D](#) [FCN-268M024-G/1D](#) [FCN-360C008-C](#) [FCN-723J004/1](#) [MIS-048-01-F-D-DP-K](#) [832-10-034-10-001000](#) [93696-325LF](#) [11828-1FA](#) [AXK630345P](#) [18097-0013](#) [2007042-2](#) [304400-2](#) [FCN-214Q030-G/0](#) [FCN-215Q040-G/0](#) [FCN-230C068-ESA](#) [FCN-234P048-G/0](#) [FCN-235D050-G/C](#) [FCN-360A3](#) [FCN-360C040-B](#) [210-93-314-41-105000](#) [2-22603-0](#) [379-064-521-202](#) [MDF7-12P-2.54DSA\(01\)](#) [MDF7-16P-2.54DS\(56\)](#) [MDF7-16P-2.54DSA\(55\)](#) [MDF7-40DP-2.54DSA\(55\)](#) [MDF7-8P-2.54DSA\(55\)](#) [AXG720047](#) [5031084030](#) [55323-1519](#) [DF33-2P-3.3DSA\(24\)](#) [DF33-2S-3.3C](#)