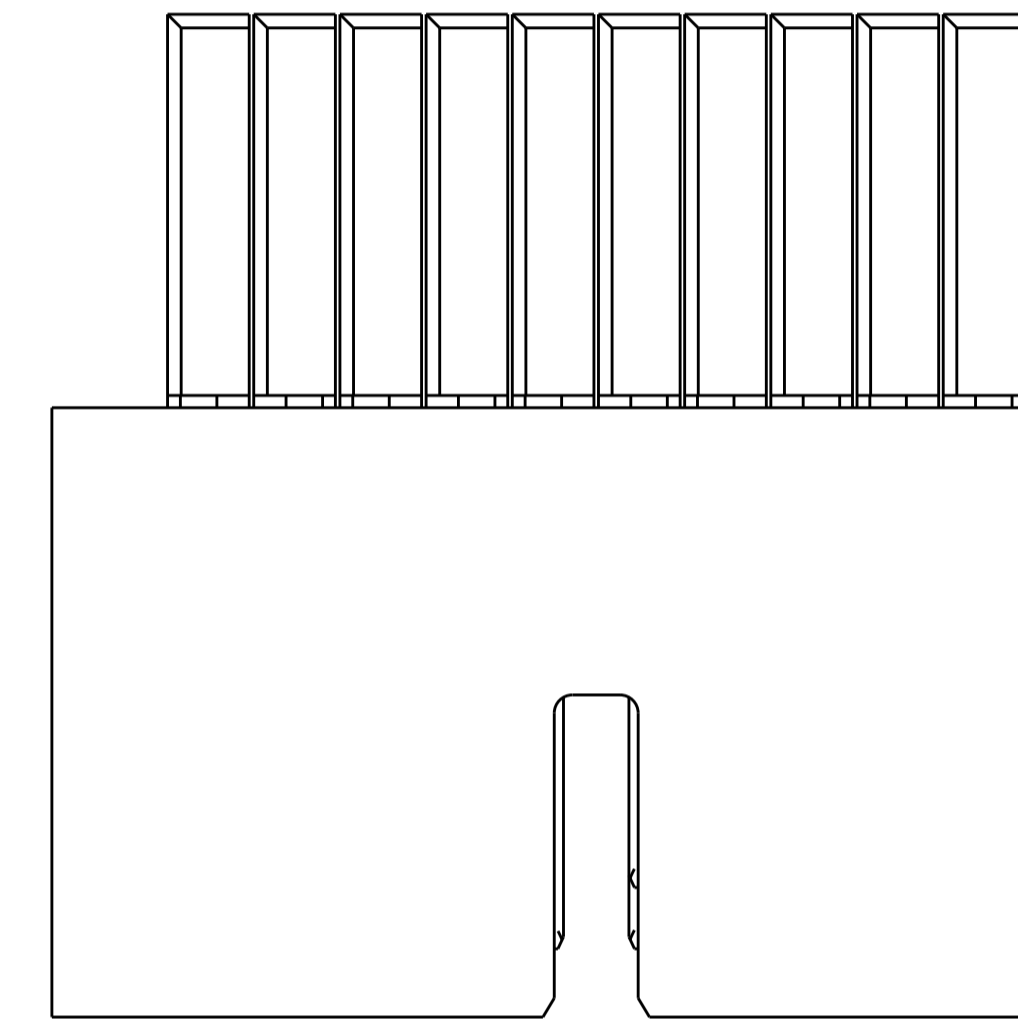
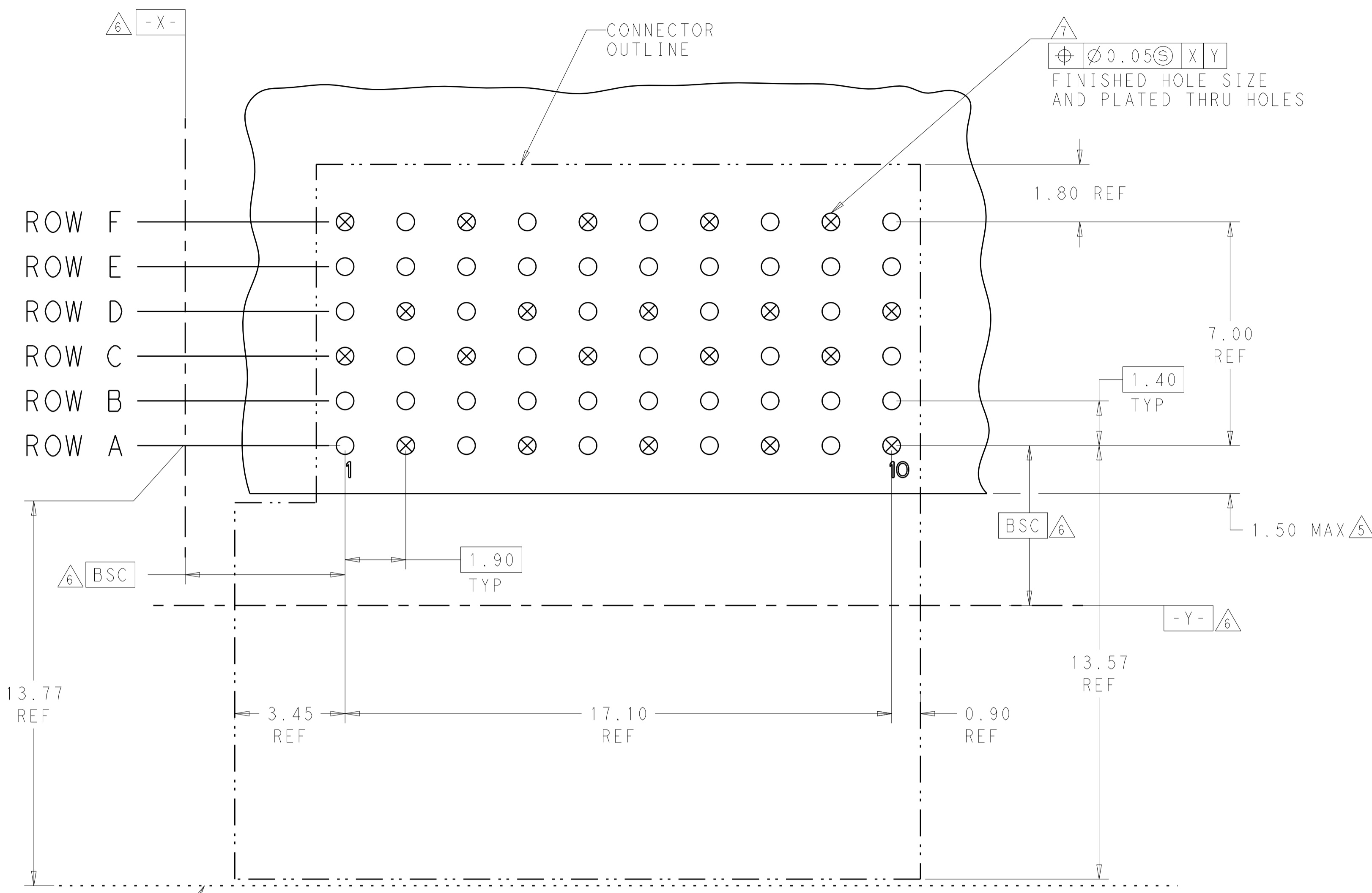


LOC	DIST	REV	DATE	BY	CHK	APPV
-	-	A	10-19-12	CT	DH	
-	-	B	01APR2013	KG	DH	
-	-	C	20NOV14	MGM	CT	



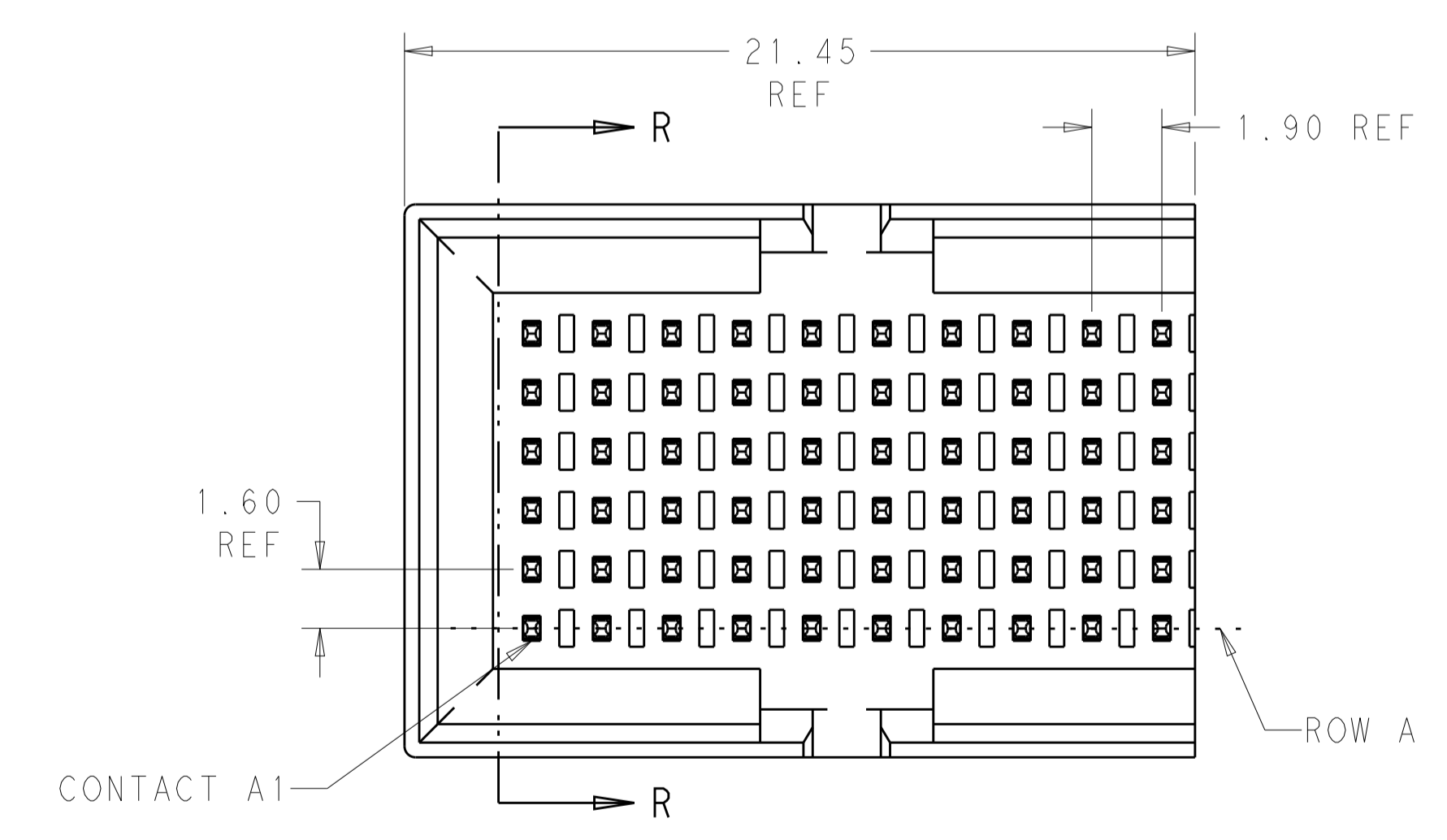
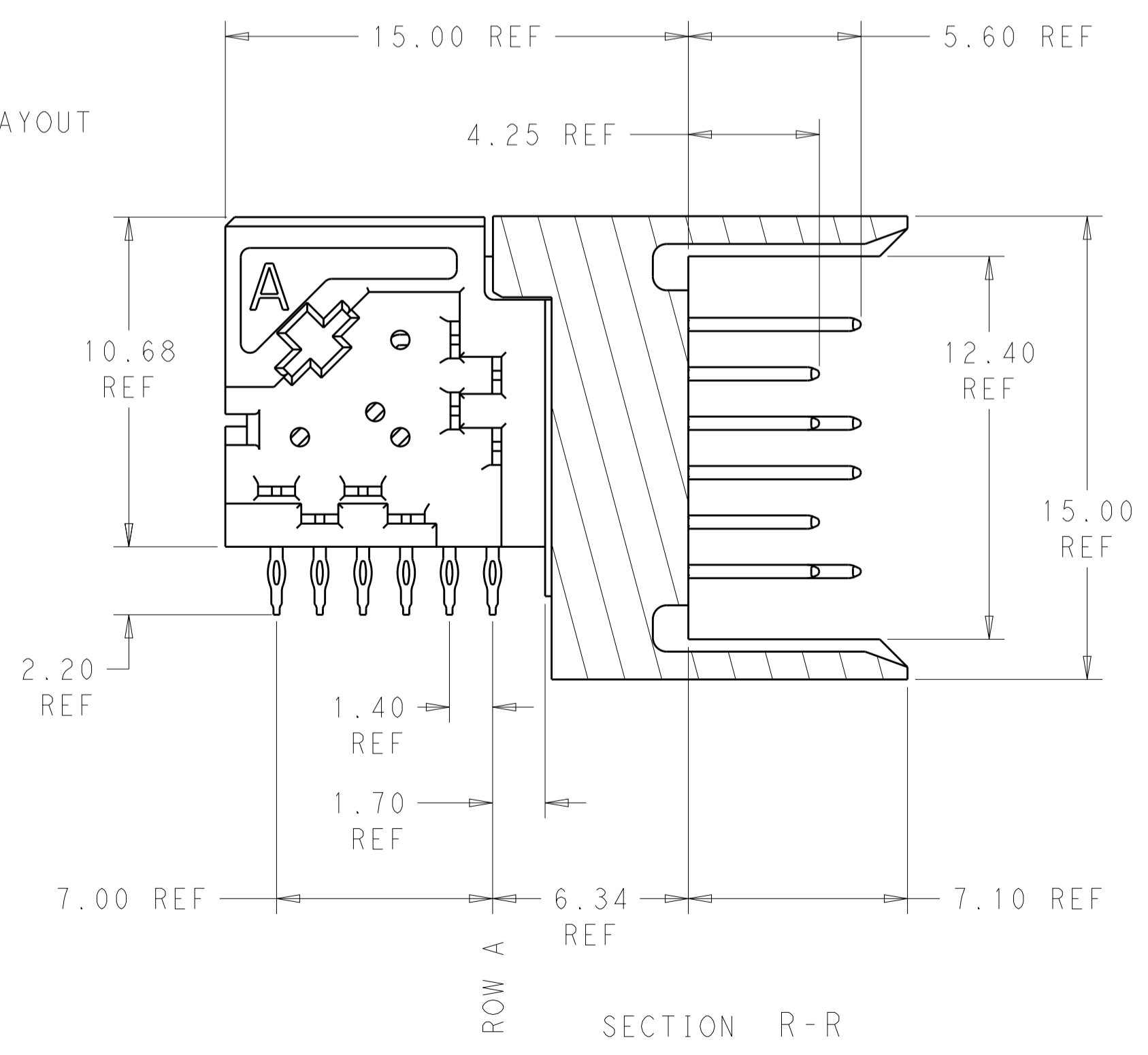
TOP OF MOTHER BOARD PCB

○ = SIGNAL  
⊗ = GROUND

RECOMMENDED DIFFERENTIAL PAIR PC BOARD LAYOUT  
COMPONENT SIDE SHOWN  
SCALE 10:1

- 1 MATERIAL:  
CONTACT AND SHIELD: COPPER ALLOY  
HOUSING AND CHICKLET: LCP, COLOR: BLACK
- 2 FINISH:  
CONTACT: MATING AREA: 1.27µm MIN GOLD OVER  
1.27µm MIN NICKEL  
SHIELD: 1.27µm MIN NICKEL
- 3 FINISH:  
COMPLIANT PIN AREA: 0.5µm MIN BRIGHT TIN LEAD OVER  
1.27µm MIN NICKEL
- 4 FINISH:  
COMPLIANT PIN AREA: 0.5µm MIN MATTE TIN OVER  
1.27µm MIN NICKEL
- 5 --

- 6 DIMENSION APPLIES TO CENTERLINE OF THRU HOLE.
- 7 DATUMS AND BASIC DIMENSIONS ESTABLISHED BY CUSTOMER.
- 8 REFERENCE APPLICATION SPEC 114-13267 FOR RECOMMENDED PLATED THRU HOLE DIAMETER AND PLATING THICKNESS.
- 9 RECOMMENDED DIFFERENTIAL PAIR CONFIGURATION SHOWN. THE CONNECTOR UTILIZES AN OPEN PIN FIELD AND CAN BE LAID OUT IN A SINGLE-ENDED CONFIGURATION.



2	4	2012086-2
2	3	2102086-1
FINISH		PART NUMBER

THIS DRAWING IS A CONTROLLED DOCUMENT. DIMENSIONING AND TOLERANCING PER ASME Y14.5M-2009.

DWN: D. BELACK 24NOV2010  
CHK: N. GARIBALDI 24NOV2010  
APPV: M. McALONIS 24NOV2010

PRODUCT SPEC: 108-2409  
APPLICATION SPEC: 114-13267  
WEIGHT: ~6.98 g

NAME: Fortis Zd, 2-PAIR, 10-COLUMN, R/A LEFT MODULE ASSEMBLY

SIZE: A1  
CAGE CODE: 100779  
DRAWING NO: 2102086

CUSTOMER DRAWING

SCALE: 6:1  
SHEET: 1 OF 1  
REV: C

## X-ON Electronics

Largest Supplier of Electrical and Electronic Components

*Click to view similar products for [High Speed/Modular Connectors](#) category:*

*Click to view products by [TE Connectivity](#) manufacturer:*

Other Similar products are found below :

[2332816-1](#) [89006-1137LF](#) [650827-1](#) [65762-001LF](#) [73474-201LF](#) [74040-1346](#) [74075-0267](#) [1410191-1](#) [1410337-1](#) [1410368-3](#) [1410964-2](#)  
[1410367-3](#) [1410971-4](#) [1467833-1](#) [2000877-1](#) [2000878-1](#) [2041314-1](#) [2065387-1](#) [2187307-1](#) [2187462-1](#) [91290-101LF](#) [163P](#) [1934290-1](#)  
[2000875-1](#) [2065917-1](#) [2102736-2](#) [FSR-40](#) [2169868-2](#) [22354-8](#) [437-5040-000](#) [5-1393565-0](#) [532449-3](#) [532803-2](#) [34745-0001](#) [1-1393708-5](#)  
[73774-1000](#) [532939-1](#) [5-531355-3](#) [85838-180LF](#) [HM1S43TRR460H6PLF](#) [0760205010](#) [0782341022](#) [1-966831-4](#) [3-1469268-7](#) [77427-121LF](#)  
[74748-102LF](#) [10009542-001LF](#) [73983-A001LF](#) [10041743-101LF](#) [10066670-100002LF](#)