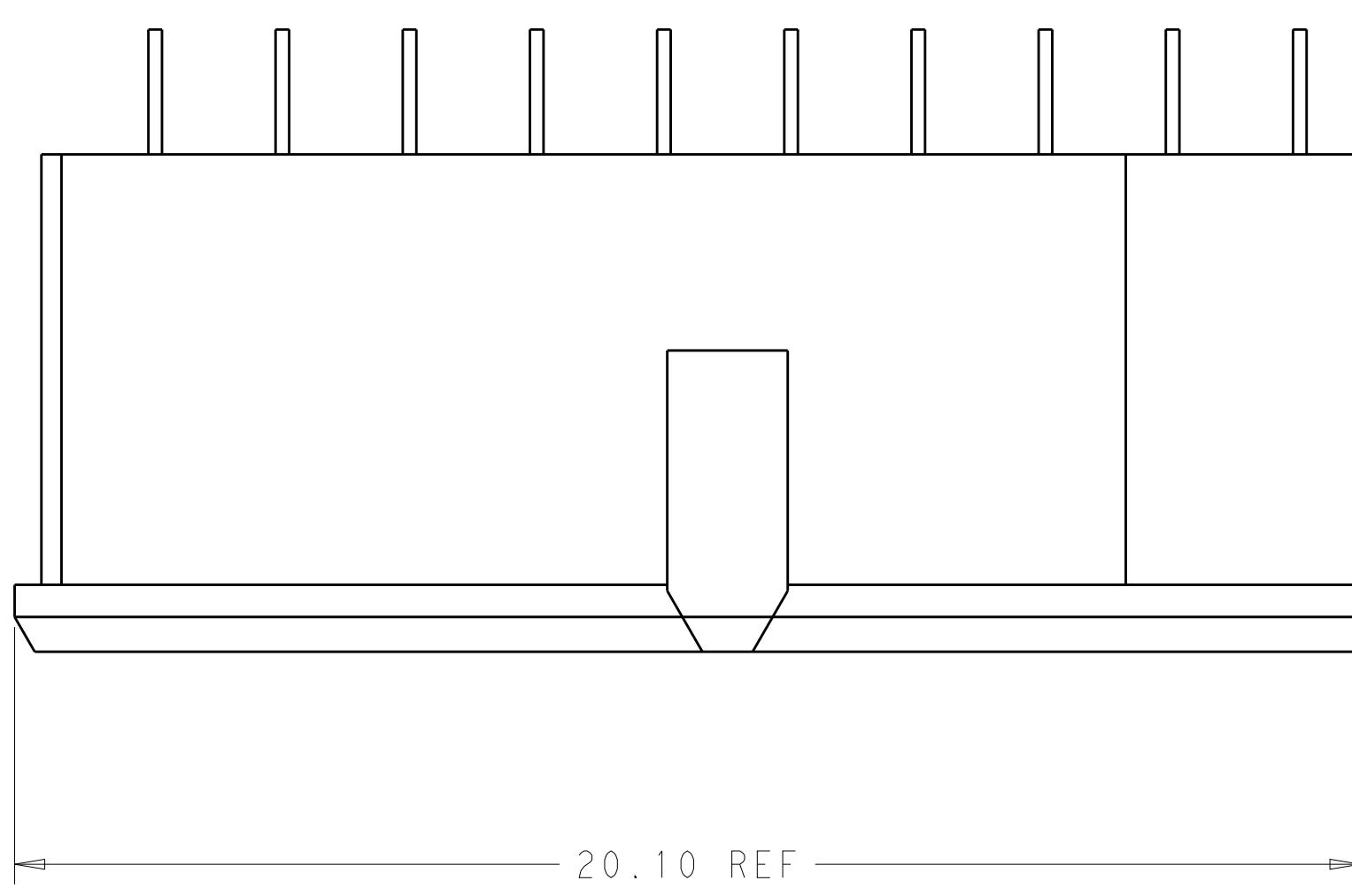
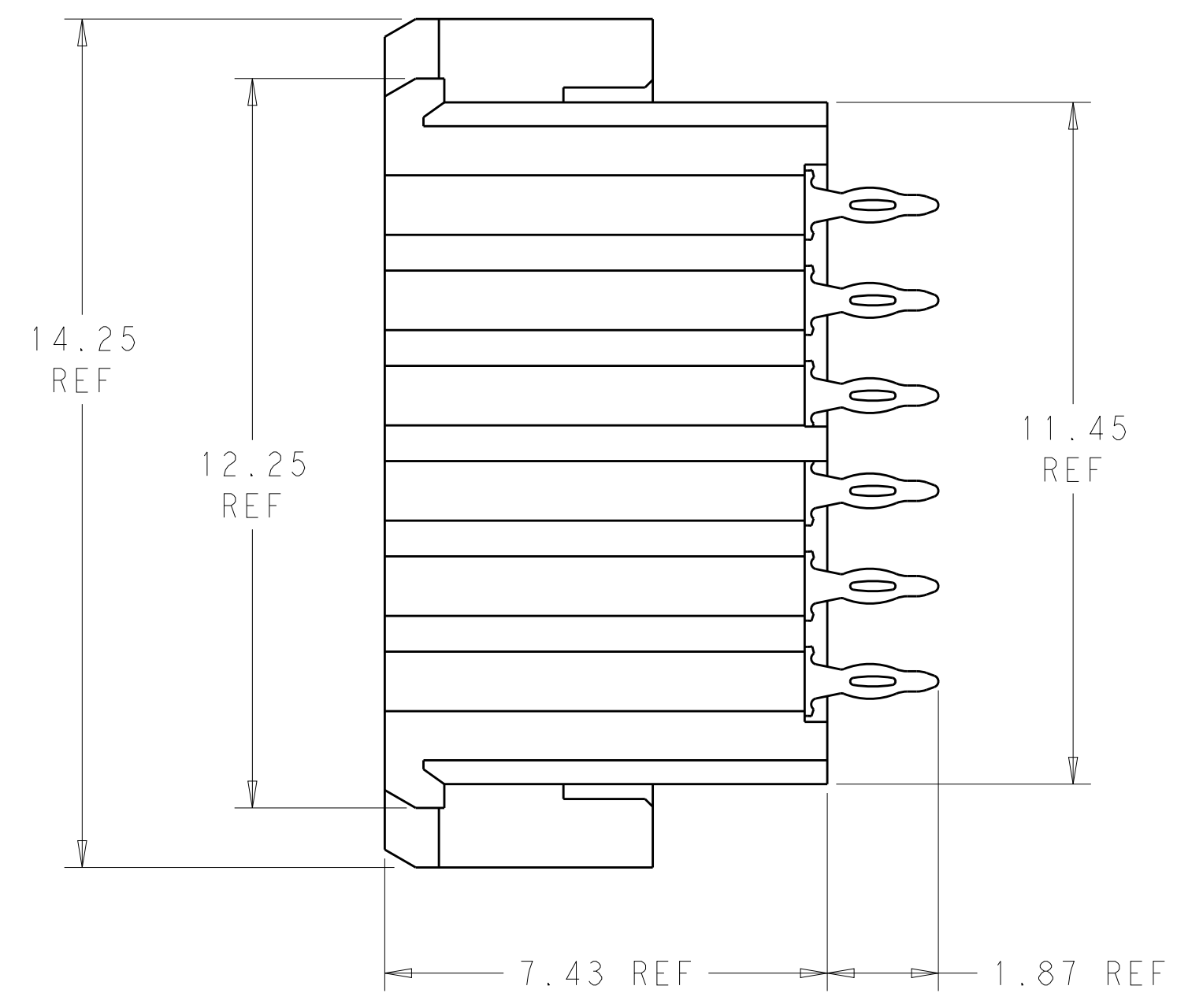
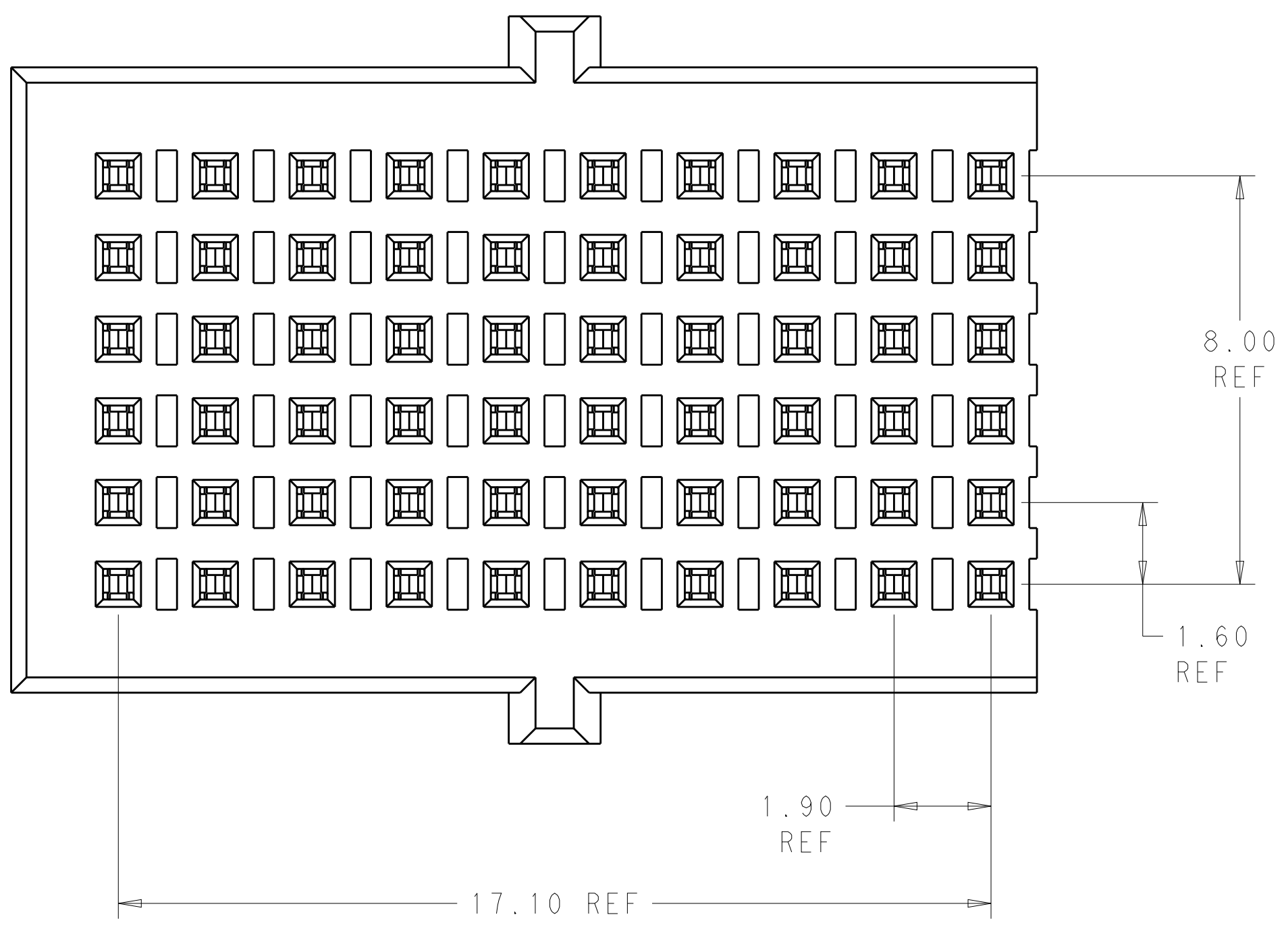


LOC		DIST		REVISIONS			
P	LTN	DESCRIPTION	DATE	DWN	APVD		
A		REVISED PER ECO-12-018102	11OCT2012	MGM	CT		
B		ECO-13-004759	01APR2013	KG	DH		
C		REVISED PER ECO-14-014385	20NOV14	MGM	CT		



- 1 MATERIAL:
CONTACT - COPPER ALLOY
HOUSING - LCP, COLOR - BLACK
- 2 FINISH:
MATING AREA: 1.27µm MIN GOLD OVER
1.25µm MIN NICKEL
- 3 FINISH:
COMPLIANT PIN AREA: 0.38µm MIN BRIGHT TIN LEAD
OVER 1.27µm MIN NICKEL
- 4 FINISH:
COMPLIANT PIN AREA: 0.38µm MIN MATTE TIN
OVER 1.27µm MIN NICKEL
- 5 --
- 6 DATUMS AND BASIC DIMENSIONS ESTABLISHED BY CUSTOMER.
- 7 REFERENCE APPLICATION SPEC 114-13267 FOR RECOMMENDED
PLATING THRU HOLE DIAMETER AND PLATING THICKNESS.
- 8 RECOMMENDED DIFFERENTIAL PAIR CONFIGURATION SHOWN.
THE CONNECTOR UTILIZES AN OPEN PIN FIELD AND
CAN BE LAID OUT IN A SINGLE-ENDED CONFIGURATION.



2 4	2102092-2
2 3	2102092-1
FINISH	PART NUMBER

THIS DRAWING IS A CONTROLLED DOCUMENT. DIMENSIONING AND TOLERANCING PER ASME Y14.5M-2009.

DWN: D. BELACK, ZANOV2010
 CHK: A. TSANG
 APVD: M. McALONIS

NAME: Fortis Zd, 2-PAIR, 10-COLUMN, VERTICAL, END MODULE ASSEMBLY

SIZE: A1, CAGE CODE: 100779, DRAWING NO: 2102092, RESTRICTED TO: -

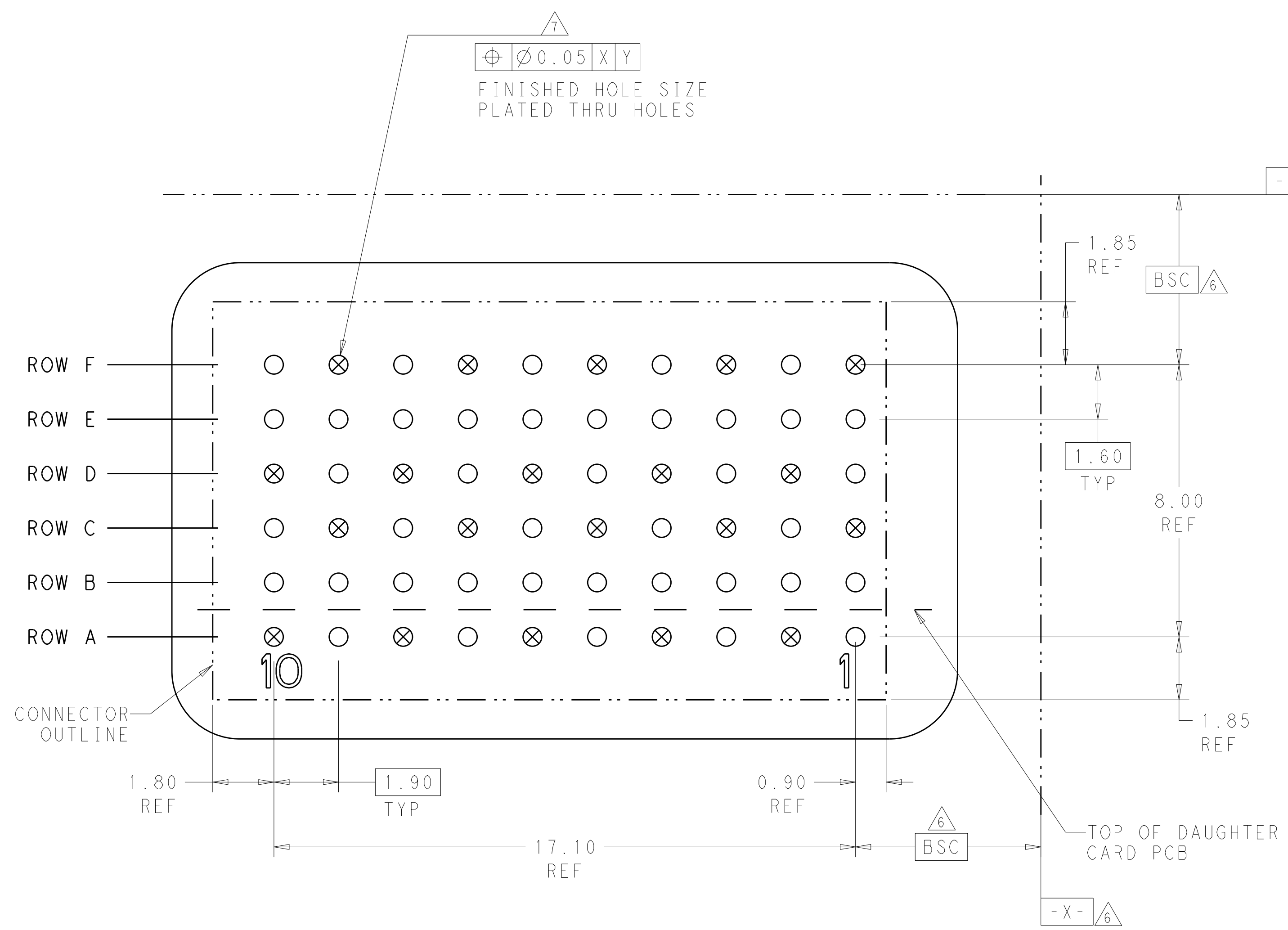
WEIGHT: ~2.57 g, SCALE: 10:1, SHEET: 1 OF 2, REV: C

MATERIAL: FINISH: -

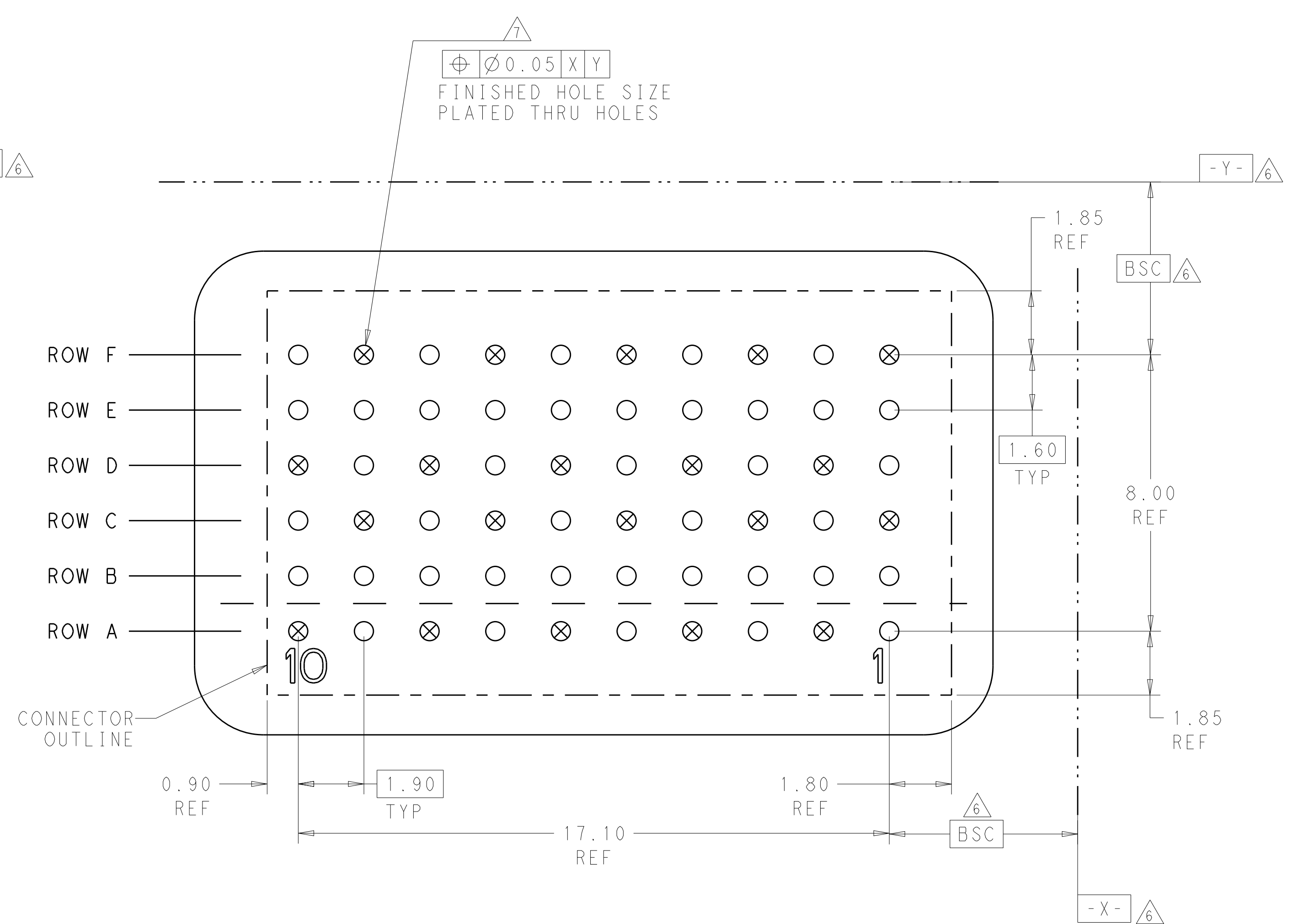
TOLERANCES UNLESS OTHERWISE SPECIFIED:
 0 PLC ±
 1 PLC ±0.13
 2 PLC ±0.05
 3 PLC ±
 4 PLC ±
 ANGLES ±2°

CUSTOMER DRAWING

LOC	DIST	REV	DATE	BY	APPV
-	-	1	-	-	-
REVISIONS					
P. LTH		DESCRIPTION	DATE	DWN	APVD
-		SEE SHEET 1	-	-	-



○ = SIGNAL
 ⊗ = GROUND
 RECOMMENDED DIFFERENTIAL PAIR PC BOARD LAYOUT 1
 COMPONENT SIDE SHOWN
 SCALE 10:1



○ = SIGNAL
 ⊗ = GROUND
 RECOMMENDED DIFFERENTIAL PAIR PC BOARD LAYOUT 2
 COMPONENT SIDE SHOWN
 SCALE 10:1

THIS DRAWING IS A CONTROLLED DOCUMENT. DIMENSIONING AND TOLERANCING PER ASME Y14.5M-2009.		DWN: D. BELACK ZANOV2010	TE Connectivity
TOLERANCES UNLESS OTHERWISE SPECIFIED:		CHK: A. TSANG	
DIMENSIONS:	mm	APVD: M. McALONIS	NAME: Fortis Zd, 2-PAIR, 10-COLUMN, VERTICAL, END MODULE ASSEMBLY
0 PLC ± 1 PLC ±0.13 2 PLC ±0.05 3 PLC ± 4 PLC ± ANGLES ±2°		PRODUCT SPEC	SIZE: CAGE CODE: DRAWING NO:
MATERIAL:	FINISH:	APPLICATION SPEC	RESTRICTED TO:
		WEIGHT: 2.57	A100779C=2102092
CUSTOMER DRAWING		SCALE: 10:1	SHEET 2 OF 2 REV C

X-ON Electronics

Largest Supplier of Electrical and Electronic Components

Click to view similar products for [High Speed/Modular Connectors](#) category:

Click to view products by [TE Connectivity](#) manufacturer:

Other Similar products are found below :

[650827-1](#) [74040-1346](#) [1410191-1](#) [1410368-3](#) [1410964-2](#) [1410326-3](#) [1410367-3](#) [1410971-4](#) [1467833-1](#) [2000877-1](#) [2000878-1](#) [2041314-1](#)
[2065387-1](#) [2187307-1](#) [163P](#) [1934290-1](#) [2000875-1](#) [2065917-1](#) [2102736-2](#) [FSR-40](#) [2169868-2](#) [22354-8](#) [437-5040-000](#) [5-1393565-0](#) [039-](#)
[0246-000](#) [0740618502](#) [0761601016](#) [0784461022](#) [10123159-12ELF](#) [030-2415-003/100 PK](#) [030-7380-004](#) [030-2494-001](#) [532939-1](#) [5532901-](#)
[3](#) [3-1469268-7](#) [74748-102LF](#) [10041743-101LF](#) [10066670-100002LF](#) [1-533915-1](#) [249-4515-000](#) [7-1469373-3](#) [DL2-2J/S](#) [2000713-8](#)
[2000713-7](#) [10124313-101LF](#) [3011-21](#) [757105208](#) [430305-001](#) [4395800100](#) [8140115](#)