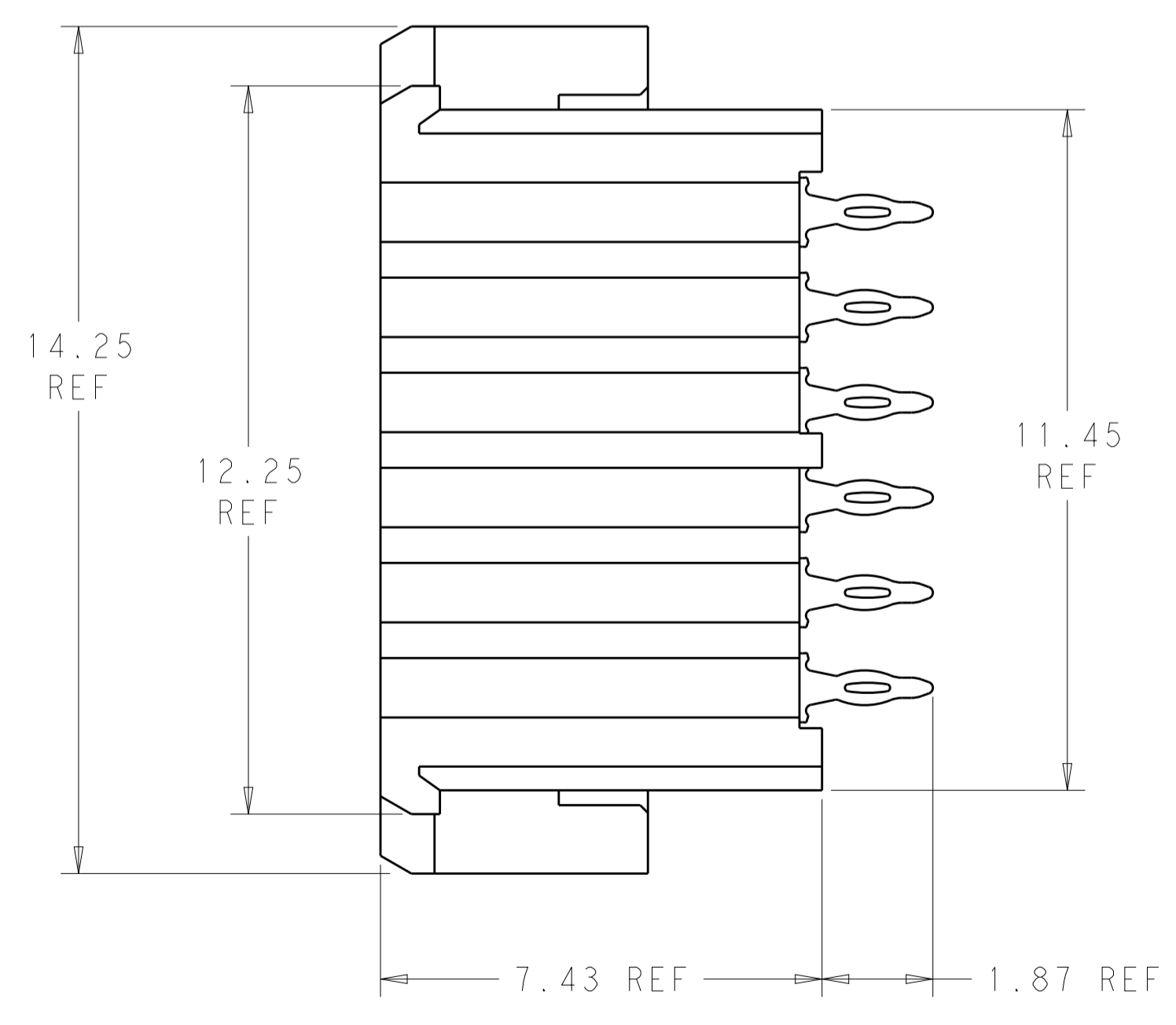
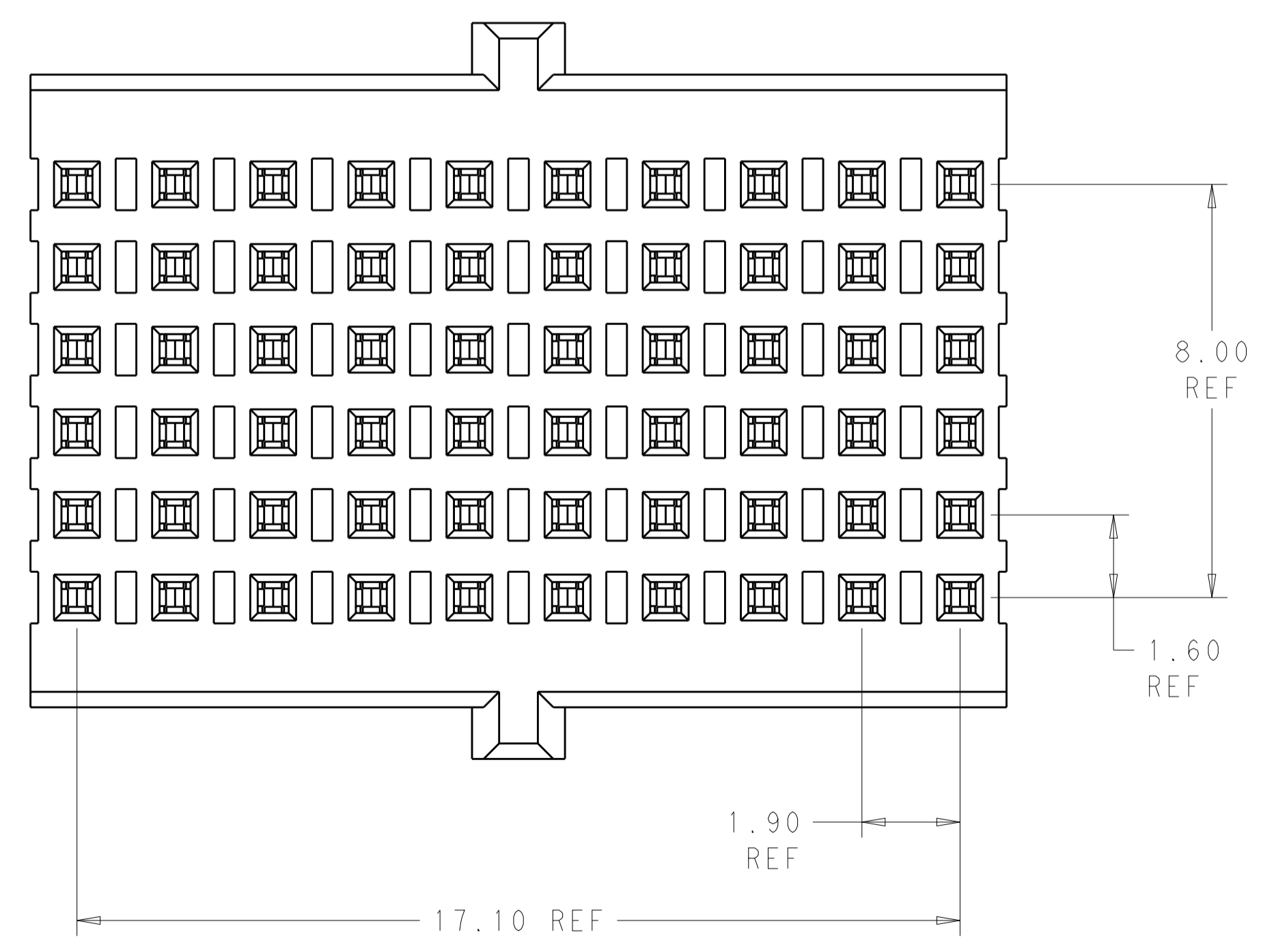
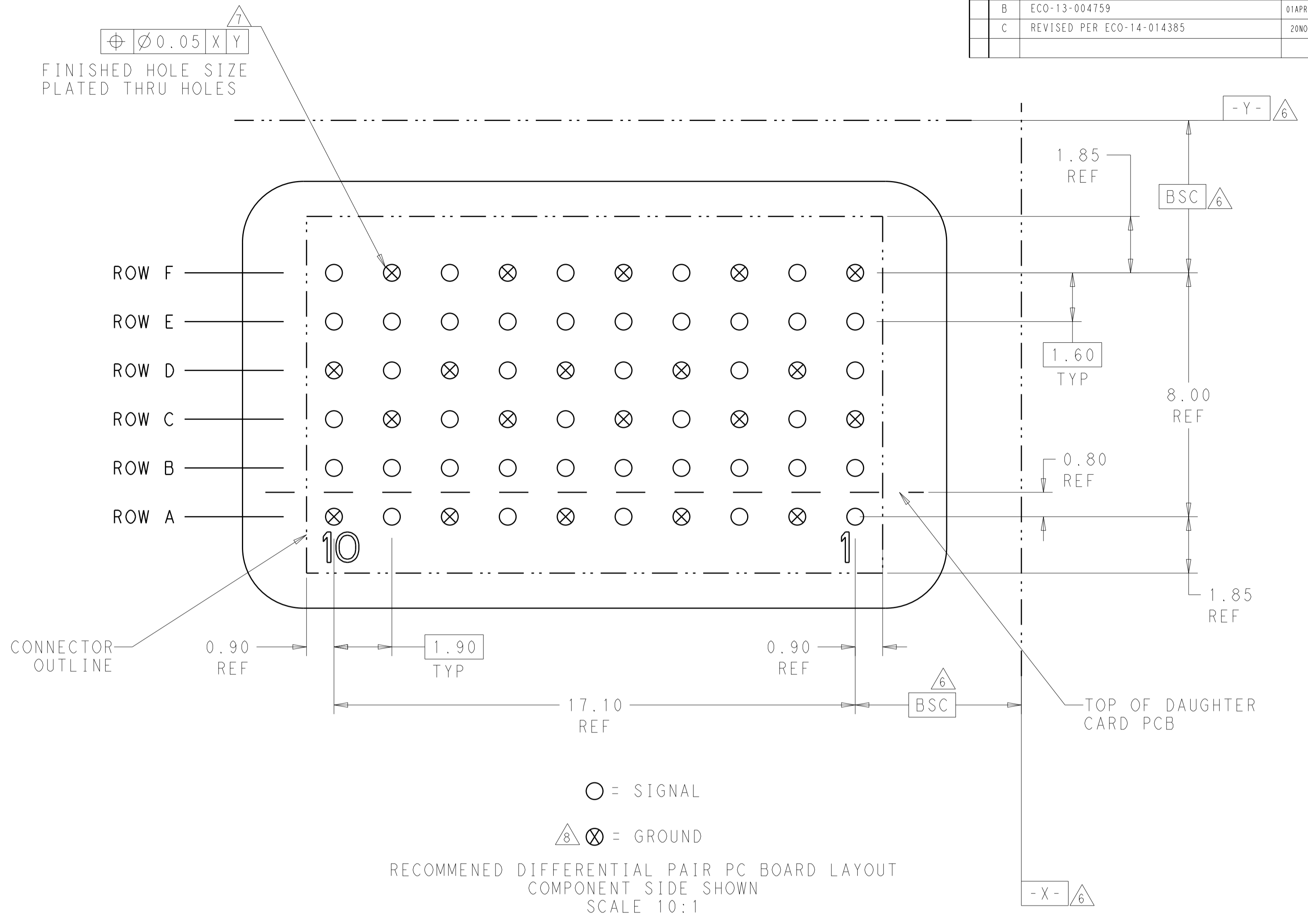
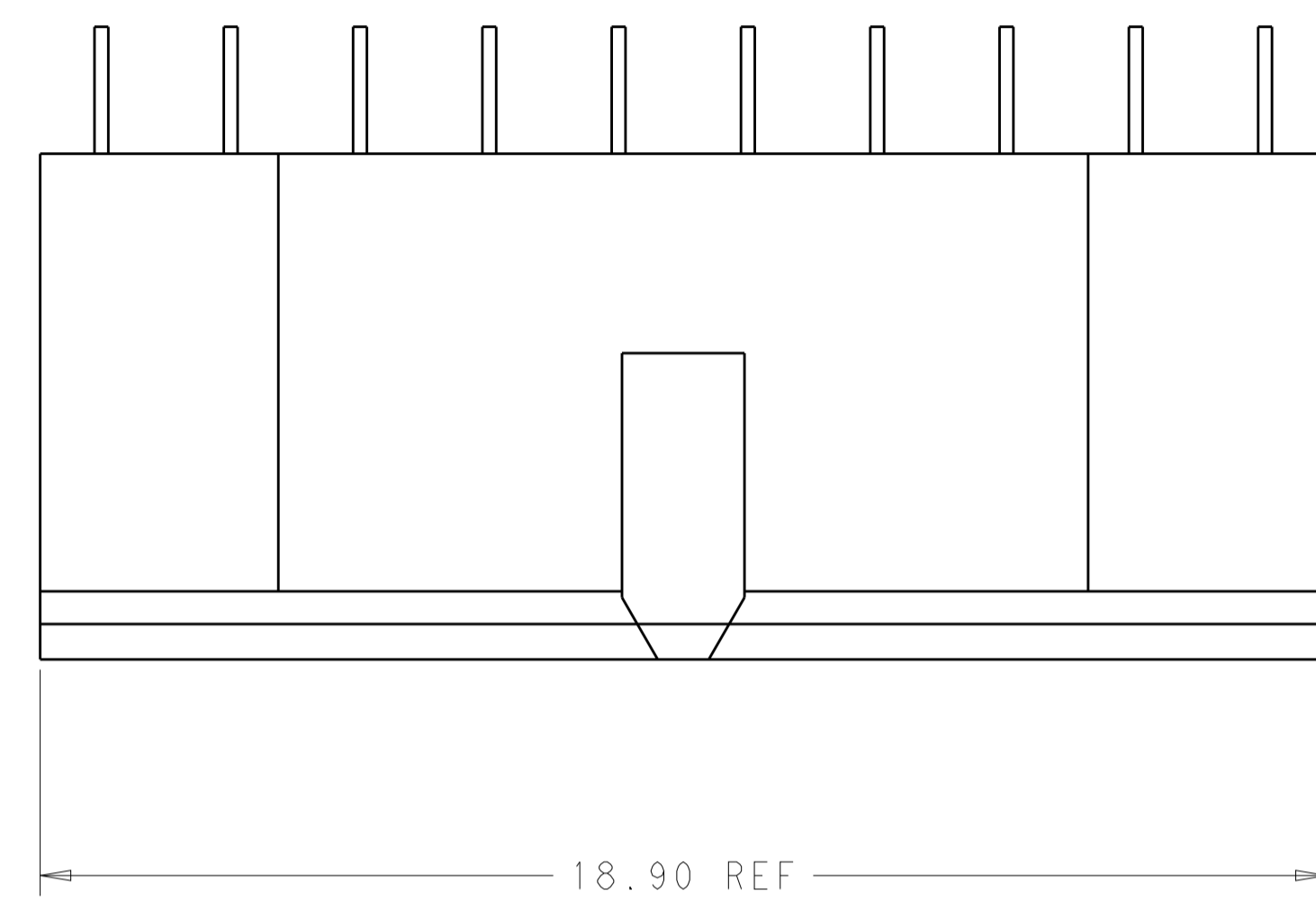


LOC	DIST	REV	DATE	BY	CHK	APPV
-	-	A	11OCT2012	MGM	CT	
		B	01APR2013	KG	DH	
		C	20NOV14	MGM	CT	



- 1 MATERIAL:  
CONTACT - COPPER ALLOY  
HOUSING - LCP, COLOR - BLACK
- 2 FINISH:  
MATING AREA: 1.27µm MIN GOLD OVER  
1.25µm MIN NICKEL
- 3 FINISH:  
COMPLIANT PIN AREA: 0.38µm MIN BRIGHT TIN LEAD  
OVER 1.27µm MIN NICKEL
- 4 FINISH:  
COMPLIANT PIN AREA: 0.38µm MIN MATTE TIN  
OVER 1.27µm MIN NICKEL
- 5 --
- 6 DATUMS AND BASIC DIMENSIONS ESTABLISHED BY CUSTOMER.
- 7 REFERENCE APPLICATION SPEC 114-13267 FOR RECOMMENDED  
PLATING THRU HOLE DIAMETER AND PLATING THICKNESS.
- 8 RECOMMENDED DIFFERENTIAL PAIR CONFIGURATION SHOWN.  
THE CONNECTOR UTILIZES AN OPEN PIN FIELD AND  
CAN BE LAID OUT IN A SINGLE-ENDED CONFIGURATION.

2 4	2102093-2
2 3	2102093-1
FINISH	PART NUMBER

THIS DRAWING IS A CONTROLLED DOCUMENT. DIMENSIONING AND TOLERANCING PER ASME Y14.5M-2009.		DWN: D. BELACK CHK: A. TSANG APPV: M. McALONIS	ZANOV2010	TE Connectivity	
DIMENSIONS: mm	TOLERANCES UNLESS OTHERWISE SPECIFIED:	PRODUCT SPEC: 108-2409	APPLICATION SPEC: 114-13267	SIZE: A1	CAGE CODE: 00779
	0 PLC ±0.13 1 PLC ±0.13 2 PLC ±0.05 3 PLC ±0.05 4 PLC ±0.05 ANGLES ±2°	RESTRICTED TO:	WEIGHT: ~2.40 g	SCALE: 10:1	SHEET 1 OF 1
MATERIAL:	FINISH: -	CUSTOMER DRAWING		REV C	

## X-ON Electronics

Largest Supplier of Electrical and Electronic Components

*Click to view similar products for [High Speed/Modular Connectors](#) category:*

*Click to view products by [TE Connectivity](#) manufacturer:*

Other Similar products are found below :

[2332816-1](#) [89006-1137LF](#) [650827-1](#) [65762-001LF](#) [73474-201LF](#) [74040-1346](#) [74075-0267](#) [1410191-1](#) [1410337-1](#) [1410368-3](#) [1410964-2](#)  
[1410367-3](#) [1410971-4](#) [1467833-1](#) [2000877-1](#) [2000878-1](#) [2041314-1](#) [2065387-1](#) [2187307-1](#) [2187462-1](#) [91290-101LF](#) [163P](#) [1934290-1](#)  
[2000875-1](#) [2065917-1](#) [2102736-2](#) [FSR-40](#) [2169868-2](#) [22354-8](#) [437-5040-000](#) [5-1393565-0](#) [532449-3](#) [532803-2](#) [34745-0001](#) [1-1393708-5](#)  
[73774-1000](#) [532939-1](#) [5-531355-3](#) [85838-180LF](#) [HM1S43TRR460H6PLF](#) [0760205010](#) [0782341022](#) [1-966831-4](#) [3-1469268-7](#) [77427-121LF](#)  
[74748-102LF](#) [10009542-001LF](#) [73983-A001LF](#) [10041743-101LF](#) [10066670-100002LF](#)