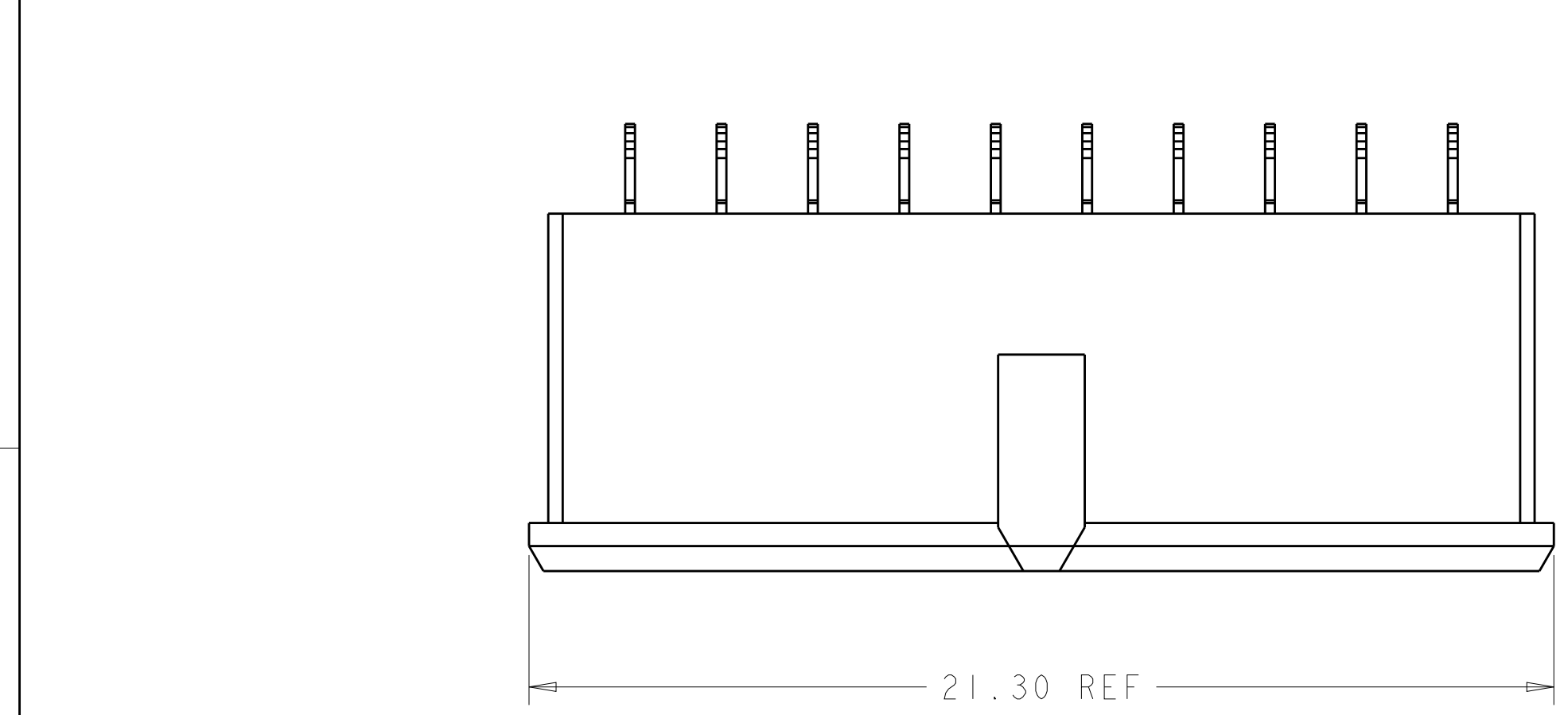
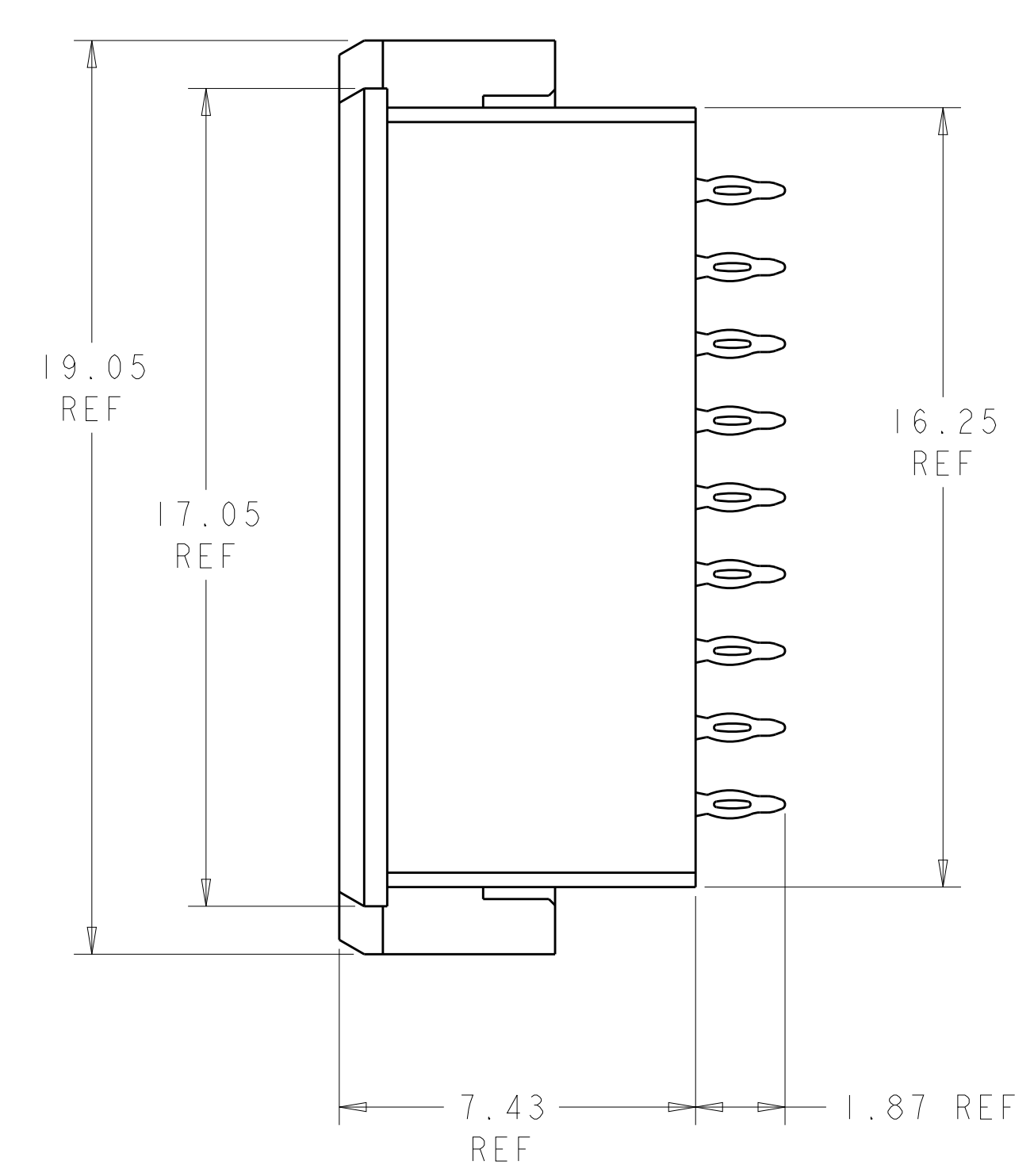
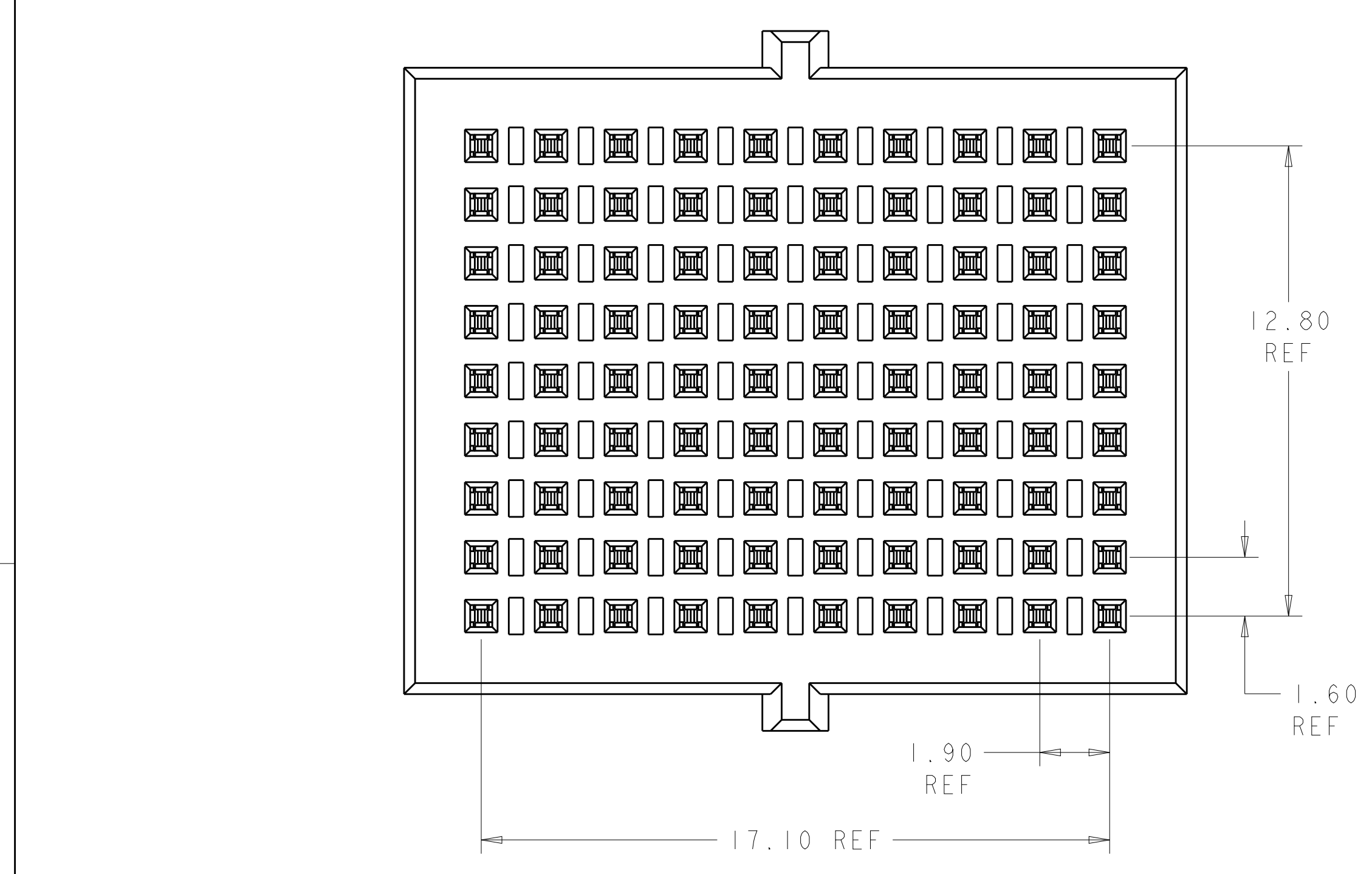
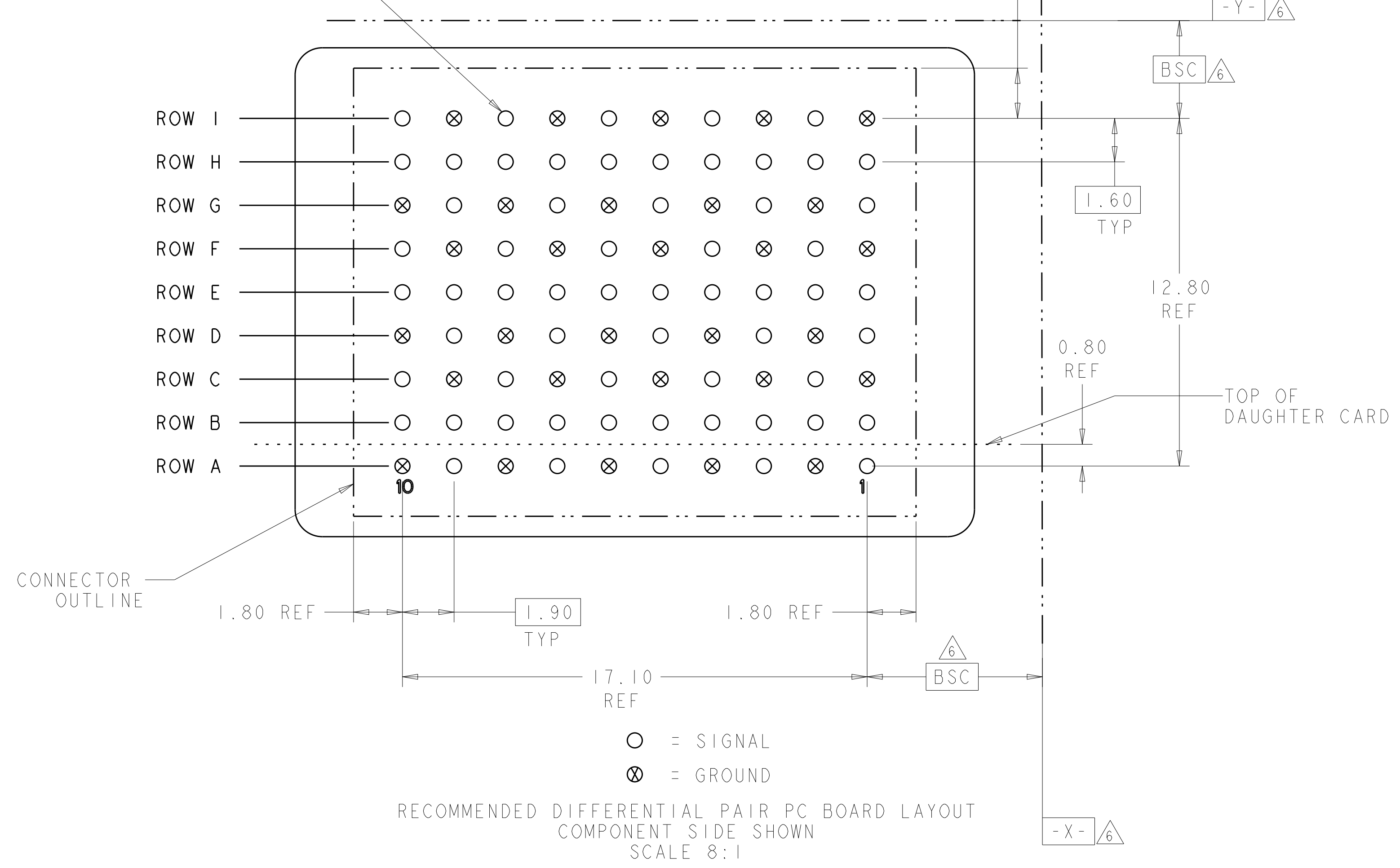


LOC		DIST		REVISIONS			
P	LTN	DESCRIPTION	DATE	DMN	APVD		
B		REV PER ECO 12-010940	7-31-12	CT	DH		
C		ECO-13-004755	26MAR2013	KG	DH		
D		ECO-14-017030	25NOV2014	MGM	CT		



⊕ ∅0.05 X Y  
 FINISHED HOLE SIZE  
 AND PLATED THRU HOLES



- 1 MATERIAL:  
CONTACT - COPPER ALLOY  
HOUSING - LCP, COLOR - BLACK
- 2 FINISH:  
MATING AREA: 1.27µm MIN GOLD OVER  
1.27µm MIN NICKEL
- 3 FINISH:  
COMPLIANT PIN AREA: 0.38µm MIN BRIGHT TIN LEAD  
OVER 1.27µm MIN NICKEL
- 4 FINISH:  
COMPLIANT PIN AREA: 0.38µm MIN MATTE TIN  
OVER 1.27µm MIN NICKEL
- 5 ---
- 6 DATUMS AND BASIC DIMENSIONS ESTABLISHED BY CUSTOMER.
- 7 REFERENCE APPLICATION SPEC 114-13267 FOR RECOMMENDED  
PLATING THRU HOLE DIAMETER AND PLATING THICKNESS.

2, 4	2102157-2
2, 3	2102157-1
FINISH	PART NUMBER

THIS DRAWING IS A CONTROLLED DOCUMENT. DIMENSIONING AND TOLERANCING PER GPS (150 STANDARDS)		DMN D. BELACK 24JUN2009	TE Connectivity
DIMENSIONS: mm		CHK A. TSANG 6-24-2009	
TOLERANCES UNLESS OTHERWISE SPECIFIED:		APVD M. McALONIS 6-24-2009	NAME Fortis Zd, 3-PAIR, 10-COLUMN, VERTICAL, SINGLE MODULE ASSEMBLY
0 PLC ±0.13		PRODUCT SPEC 108-2409	
1 PLC ±0.05		APPLICATION SPEC 114-13267	SIZE CAGE CODE DRAWING NO RESTRICTED TO
2 PLC ±		WEIGHT ~3.83g	A100779C=2102157
3 PLC ±		CUSTOMER DRAWING	SCALE 8:1 SHEET 1 OF 1 REV D
4 PLC ±			
ANGLES ±2°			
FINISH			

## X-ON Electronics

Largest Supplier of Electrical and Electronic Components

*Click to view similar products for [High Speed/Modular Connectors](#) category:*

*Click to view products by [TE Connectivity](#) manufacturer:*

Other Similar products are found below :

[650827-1](#) [74040-1346](#) [1410191-1](#) [1410368-3](#) [1410964-2](#) [1410326-3](#) [1410367-3](#) [1410971-4](#) [1467833-1](#) [2000877-1](#) [2000878-1](#) [2041314-1](#)  
[2065387-1](#) [2187307-1](#) [163P](#) [1934290-1](#) [2000875-1](#) [2065917-1](#) [2102736-2](#) [FSR-40](#) [2169868-2](#) [22354-8](#) [437-5040-000](#) [5-1393565-0](#) [039-](#)  
[0246-000](#) [0761601016](#) [0784461022](#) [10123159-12ELF](#) [030-2415-003/100 PK](#) [030-7380-004](#) [030-2494-001](#) [532939-1](#) [5532901-3](#) [3-1469268-](#)  
[7](#) [74748-102LF](#) [73670-0247](#) [10041743-101LF](#) [10066670-100002LF](#) [1-533915-1](#) [249-4515-000](#) [7-1469373-3](#) [DL2-2J/S](#) [2000713-8](#)  
[2000713-7](#) [10124313-101LF](#) [3011-21](#) [757105208](#) [EBTF-4-10-2.0-S-RA-1](#) [430305-001](#) [4395800100](#)