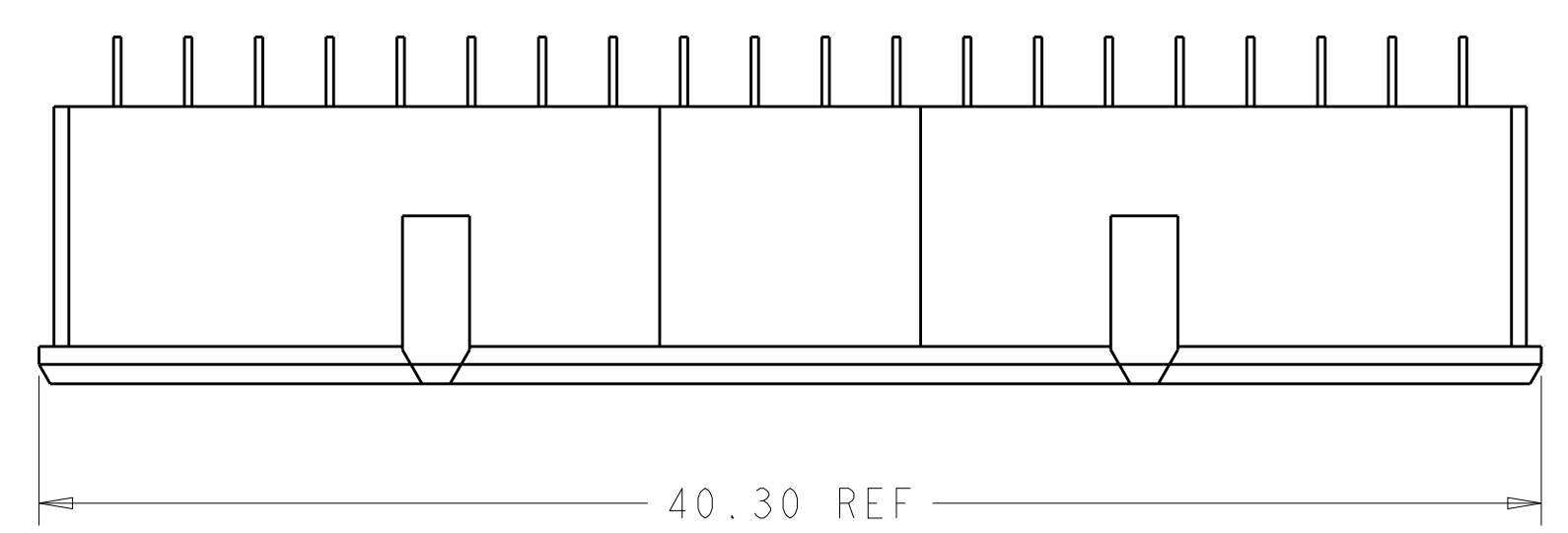
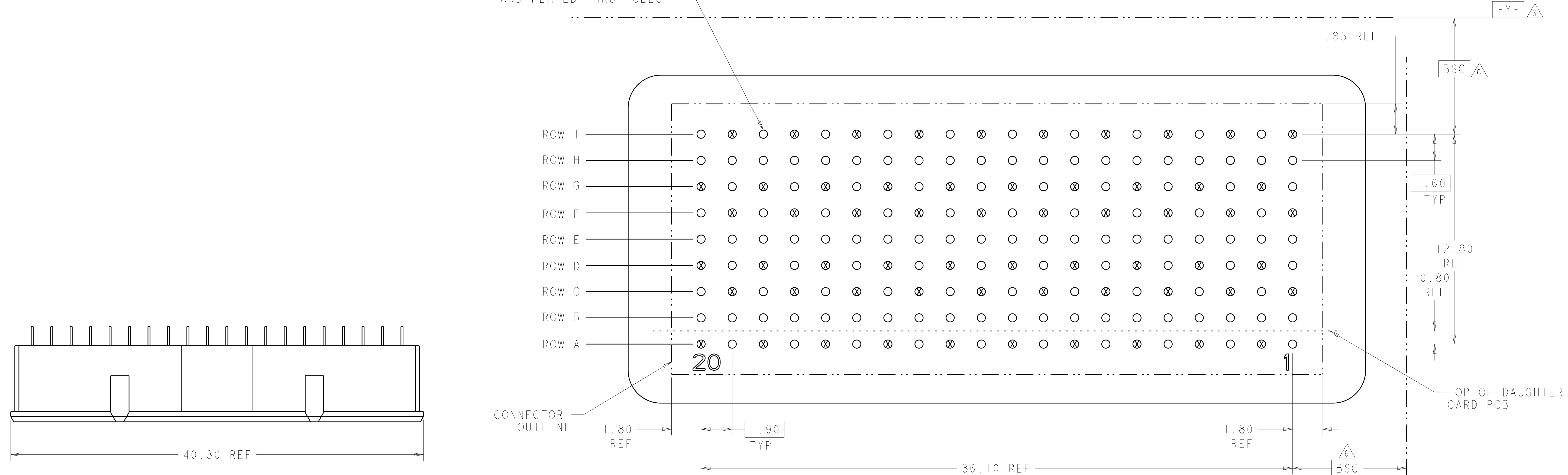


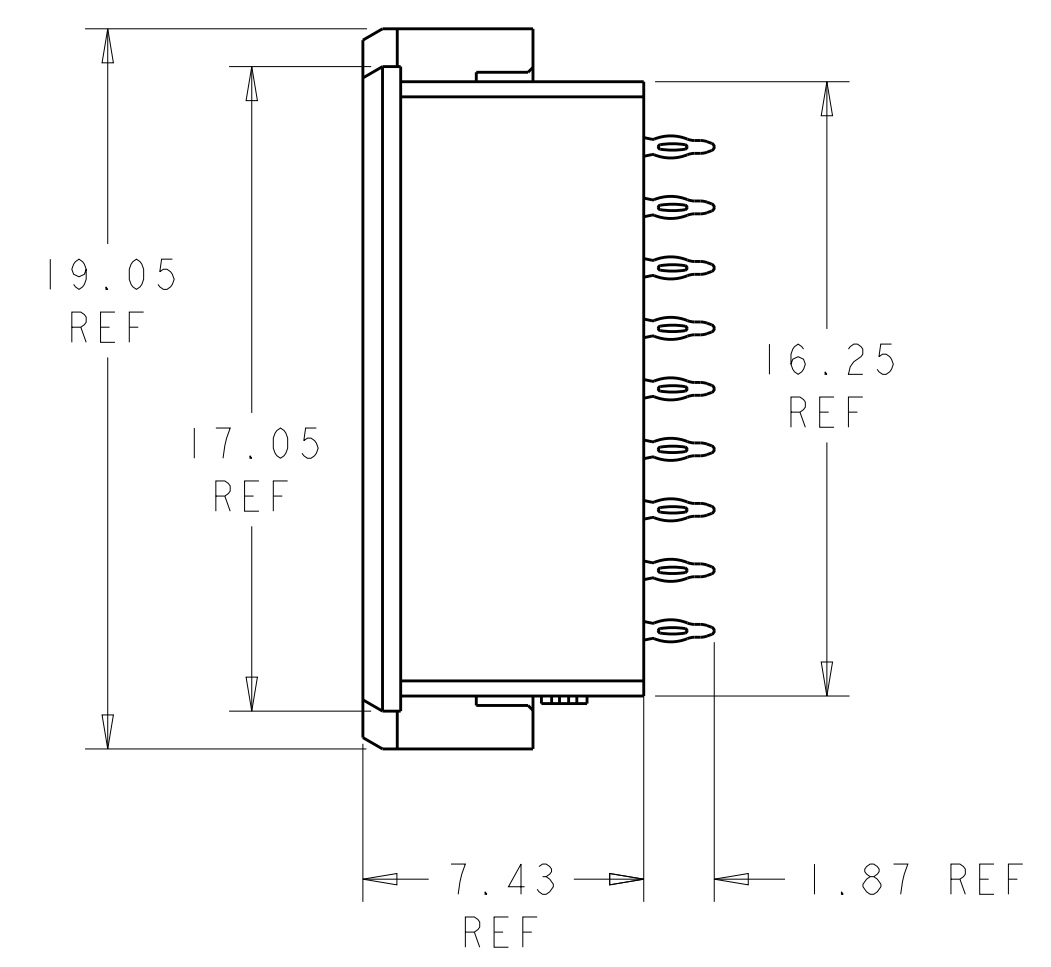
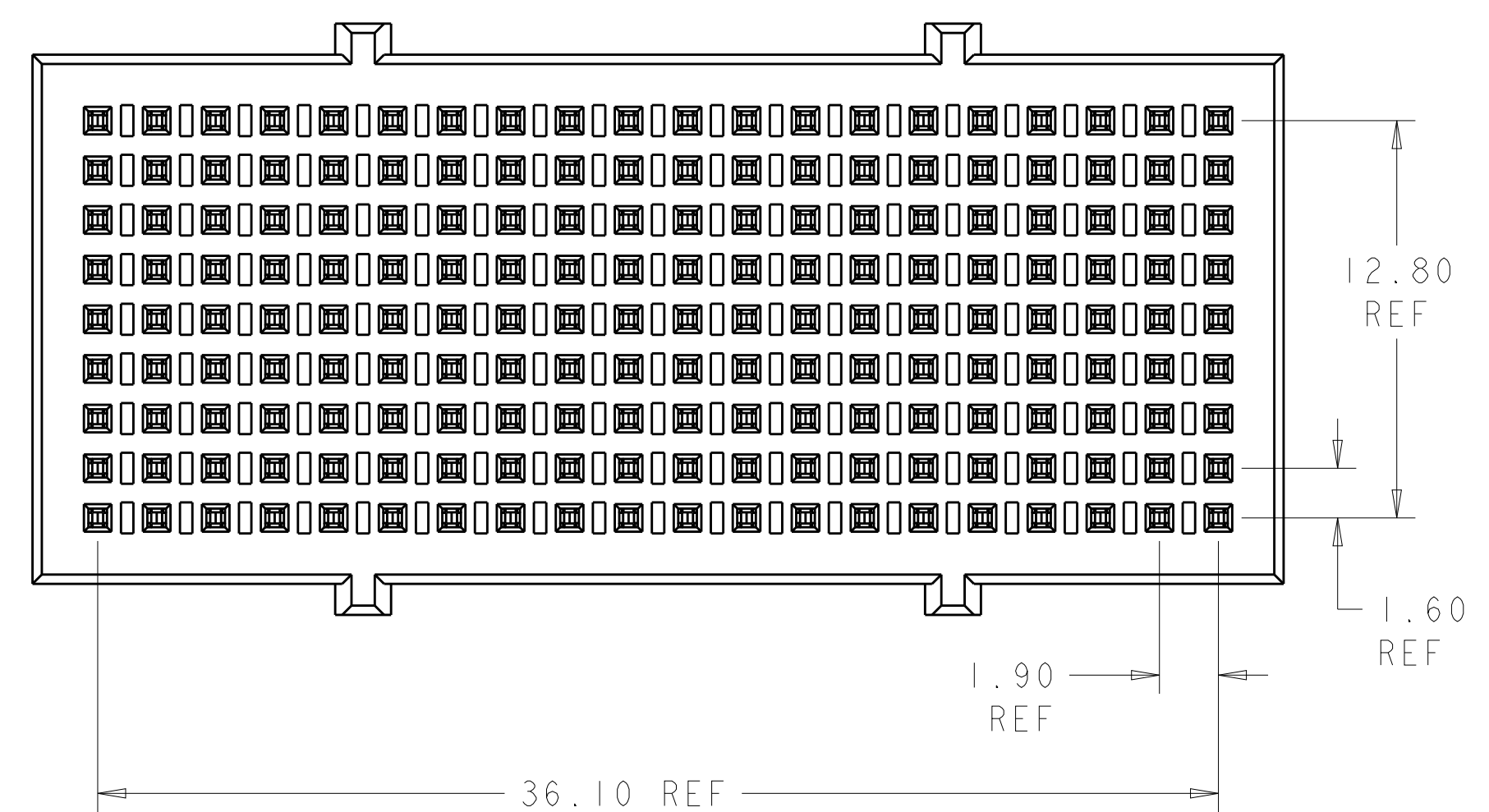
LOC	DIST	REV	DATE	BY	CHK	APPV
-	-	C	1-31-13	CT	DH	
-	-	D	26MAR2013	KG	DH	
-	-	E	25NOV2014	MGM	CT	

$\oplus \varnothing 0.05 \text{ (S)} \text{ X Y}$
 FINISHED HOLE SIZE
 AND PLATED THRU HOLES



RECOMMENDED DIFFERENTIAL PAIR PC BOARD LAYOUT
 COMPONENT SIDE SHOWN
 SCALE 8:1

- = SIGNAL
- ⊗ = GROUND



- 1 MATERIAL:
CONTACT - COPPER ALLOY
HOUSING - LCP, COLOR - BLACK
- 2 FINISH:
MATING AREA: 1.27μm MIN GOLD OVER
1.27μm MIN NICKEL
- 3 FINISH:
COMPLIANT PIN AREA: 0.38μm MIN BRIGHT TIN LEAD
OVER 1.27μm MIN NICKEL
- 4 FINISH:
COMPLIANT PIN AREA: 0.38μm MIN MATTE TIN
OVER 1.27μm MIN NICKEL
- 5 ---
- 6 DATUMS AND BASIC DIMENSIONS ESTABLISHED BY CUSTOMER.
- 7 REFERENCE APPLICATION SPEC 114-13267 FOR RECOMMENDED
PLATING THRU HOLE DIAMETER AND PLATING THICKNESS.

2, 4	2102161-2
2, 3	2102161-1
FINISH	PART NUMBER

THIS DRAWING IS A CONTROLLED DOCUMENT. DIMENSIONING AND TOLERANCING PER GPS-1150 STANDARDS.		OWN: D. BELACK 06JUL2009	TE Connectivity NAME: Fortis Zd, 3-PAIR, 20-COLUMN, VERTICAL, FULL SHROUD ASSEMBLY
DIMENSIONS: mm		CHK: A. TSANG 7-6-2009	
TOLERANCES UNLESS OTHERWISE SPECIFIED:		APPV: M. McALONIS 7-6-2009	PRODUCT SPEC: 108-2409
0 PLC	±	APPLICATION SPEC: 114-13267	SIZE: CAGE CODE DRAWING NO
1 PLC	±0.13	WEIGHT: 7.32g ±2%	RESTRICTED TO
2 PLC	±0.05	CUSTOMER DRAWING	SCALE: 5:1 SHEET 1 OF 1 REV E
3 PLC	±		
4 PLC	±		
ANGLES	±2°		
FINISH	-		

X-ON Electronics

Largest Supplier of Electrical and Electronic Components

Click to view similar products for [High Speed/Modular Connectors](#) category:

Click to view products by [TE Connectivity](#) manufacturer:

Other Similar products are found below :

[650827-1](#) [74040-1346](#) [1410191-1](#) [1410368-3](#) [1410964-2](#) [1410326-3](#) [1410367-3](#) [1410971-4](#) [1467833-1](#) [2000877-1](#) [2000878-1](#) [2041314-1](#)
[2065387-1](#) [2187307-1](#) [163P](#) [1934290-1](#) [2000875-1](#) [2065917-1](#) [2102736-2](#) [FSR-40](#) [2169868-2](#) [22354-8](#) [437-5040-000](#) [5-1393565-0](#) [039-](#)
[0246-000](#) [0761601016](#) [0784461022](#) [10123159-12ELF](#) [030-2415-003/100 PK](#) [030-7380-004](#) [030-2494-001](#) [532939-1](#) [5532901-3](#) [3-1469268-](#)
[7](#) [74748-102LF](#) [73670-0247](#) [10041743-101LF](#) [10066670-100002LF](#) [1-533915-1](#) [249-4515-000](#) [7-1469373-3](#) [DL2-2J/S](#) [2000713-8](#)
[2000713-7](#) [10124313-101LF](#) [3011-21](#) [757105208](#) [EBTF-4-10-2.0-S-RA-1](#) [430305-001](#) [4395800100](#)