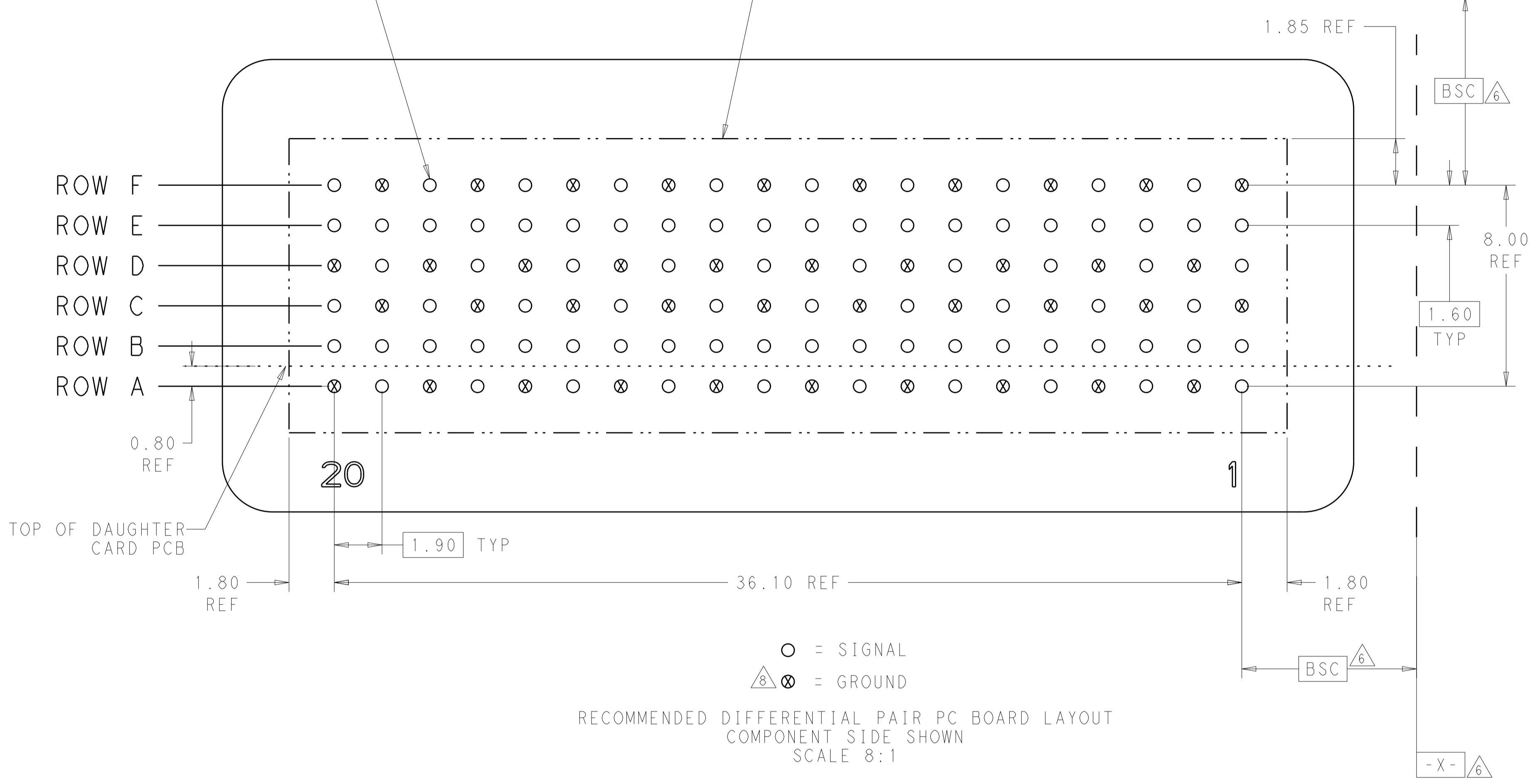
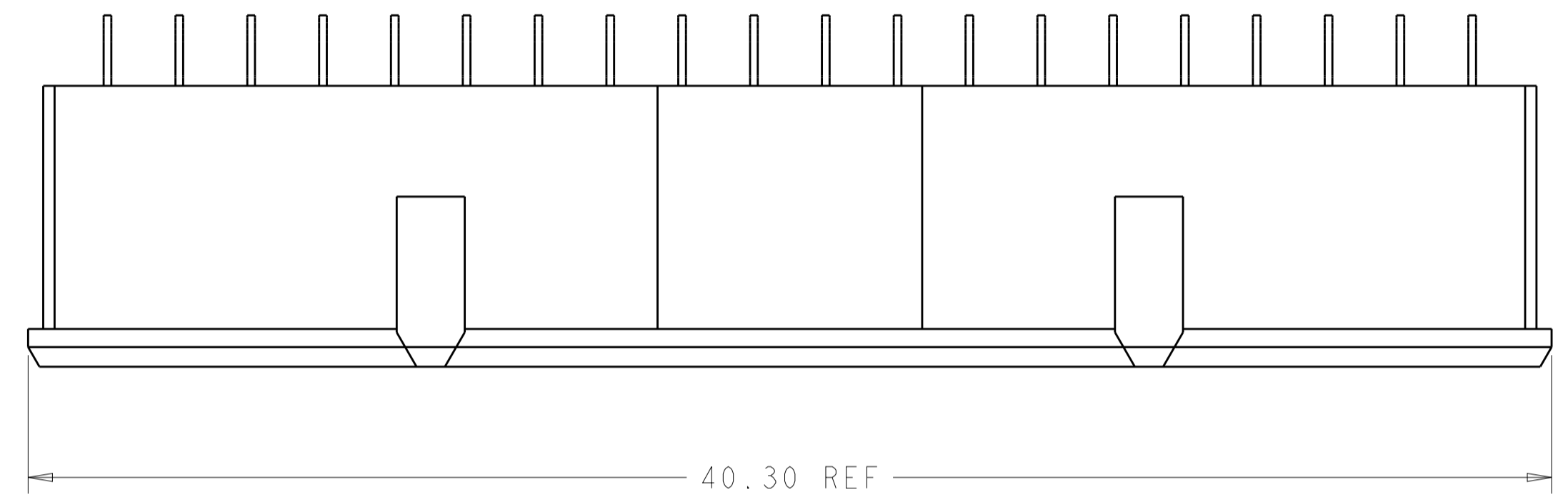


LOC	DIST	REV	DATE	BY	CHK	APPV
-	-	A	11OCT2012	MGM	CT	
-	-	B	01APR2013	KG	DH	
-	-	C	20NOV14	MGM	CT	

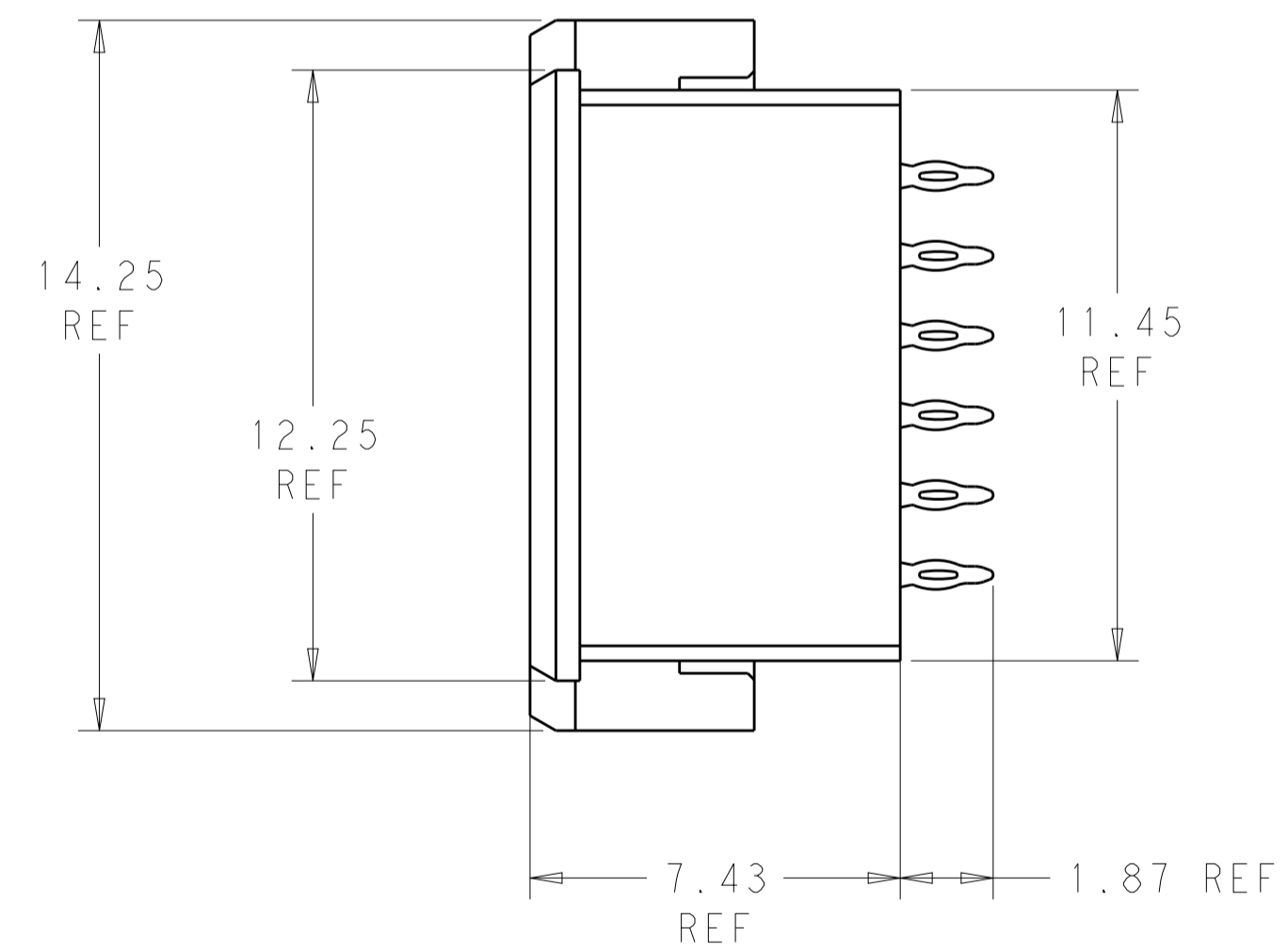
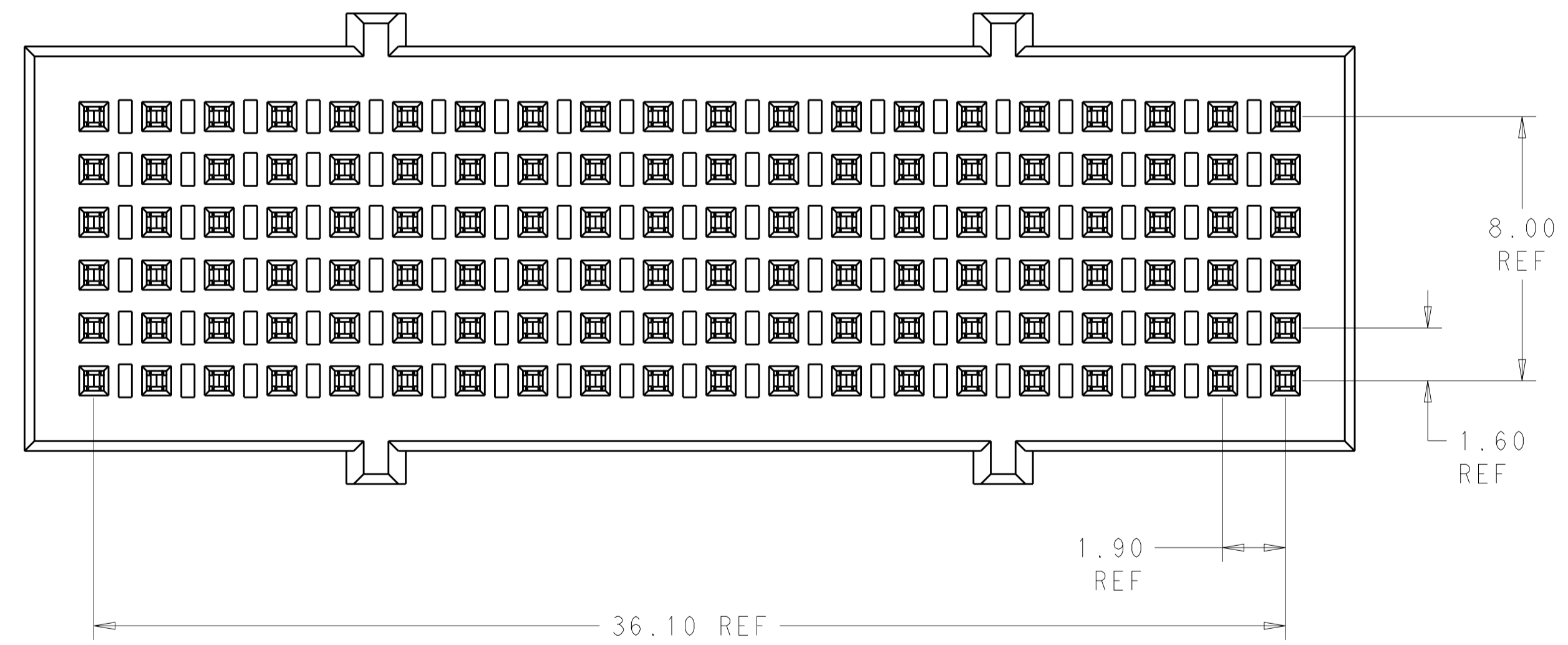
$\oplus \varnothing 0.05 \text{ X Y}$
 FINISHED HOLE SIZE
 AND PLATED THRU HOLES

CONNECTOR
 OUTLINE



○ = SIGNAL
 ⊗ = GROUND

RECOMMENDED DIFFERENTIAL PAIR PC BOARD LAYOUT
 COMPONENT SIDE SHOWN
 SCALE 8:1



- △ MATERIAL:
 CONTACT - COPPER ALLOY
 HOUSING - LCP, COLOR - BLACK
- △ FINISH:
 MATING AREA: 1.27µm MIN GOLD OVER
 1.25µm MIN NICKEL
- △ FINISH:
 COMPLIANT PIN AREA: 0.38µm MIN BRIGHT TIN LEAD
 OVER 1.27µm MIN NICKEL
- △ FINISH:
 COMPLIANT PIN AREA: 0.38µm MIN MATTE TIN
 OVER 1.27µm MIN NICKEL
- △ --
- △ DATUMS AND BASIC DIMENSIONS ESTABLISHED BY CUSTOMER.
- △ REFERENCE APPLICATION SPEC 114-13267 FOR RECOMMENDED
 PLATING THRU HOLE DIAMETER AND PLATING THICKNESS.
- △ RECOMMENDED DIFFERENTIAL PAIR CONFIGURATION SHOWN.
 THE CONNECTOR UTILIZES AN OPEN PIN FIELD AND
 CAN BE LAID OUT IN A SINGLE-ENDED CONFIGURATION.

△ 2 △ 4	2102234-2
△ 2 △ 3	2102234-1
FINISH	PART NUMBER

THIS DRAWING IS A CONTROLLED DOCUMENT. DIMENSIONING AND TOLERANCING PER ASME Y14.5M-2009.		OWN: D. BELACK CHK: A. TSANG APPV: M. McALONIS	DATE: 24NOV2010	TE Connectivity	
DIMENSIONS: mm		TOLERANCES UNLESS OTHERWISE SPECIFIED:	PRODUCT SPEC: 108-2409	NAME: Fortis Zd, 2-PAIR, 20-COLUMN VERTICAL, FULL SHROUD ASSEMBLY	
0 PLC ±0.13 2 PLC ±0.05 3 PLC ±0.05 4 PLC ±0.05		ANGLES ±2°	APPLICATION SPEC: 114-13267	SIZE: A1	RESTRICTED TO: -
MATERIAL: △		FINISH: -	WEIGHT: ~5.21g	SCALE: 7:1	SHEET 1 OF 1
Customer Drawing			SCALE: 7:1	SHEET 1 OF 1	REV C

X-ON Electronics

Largest Supplier of Electrical and Electronic Components

Click to view similar products for [High Speed/Modular Connectors](#) category:

Click to view products by [TE Connectivity](#) manufacturer:

Other Similar products are found below :

[650827-1](#) [74040-1346](#) [1410191-1](#) [1410368-3](#) [1410964-2](#) [1410326-3](#) [1410367-3](#) [1410971-4](#) [1467833-1](#) [2000877-1](#) [2000878-1](#) [2041314-1](#)
[2065387-1](#) [2187307-1](#) [163P](#) [1934290-1](#) [2000875-1](#) [2065917-1](#) [2102736-2](#) [FSR-40](#) [2169868-2](#) [22354-8](#) [437-5040-000](#) [5-1393565-0](#) [039-](#)
[0246-000](#) [0740618502](#) [0761601016](#) [0784461022](#) [10123159-12ELF](#) [030-2415-003/100 PK](#) [030-7380-004](#) [030-2494-001](#) [532939-1](#) [5532901-](#)
[3](#) [3-1469268-7](#) [74748-102LF](#) [10041743-101LF](#) [10066670-100002LF](#) [1-533915-1](#) [249-4515-000](#) [7-1469373-3](#) [DL2-2J/S](#) [2000713-8](#)
[2000713-7](#) [10124313-101LF](#) [3011-21](#) [757105208](#) [430305-001](#) [4395800100](#) [8140115](#)