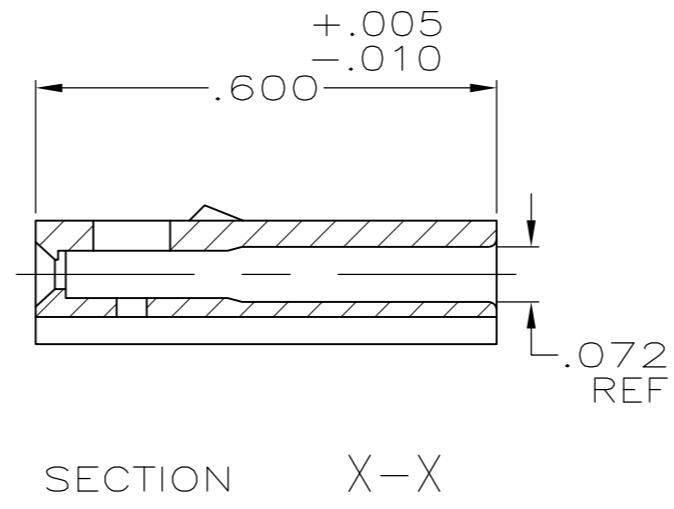
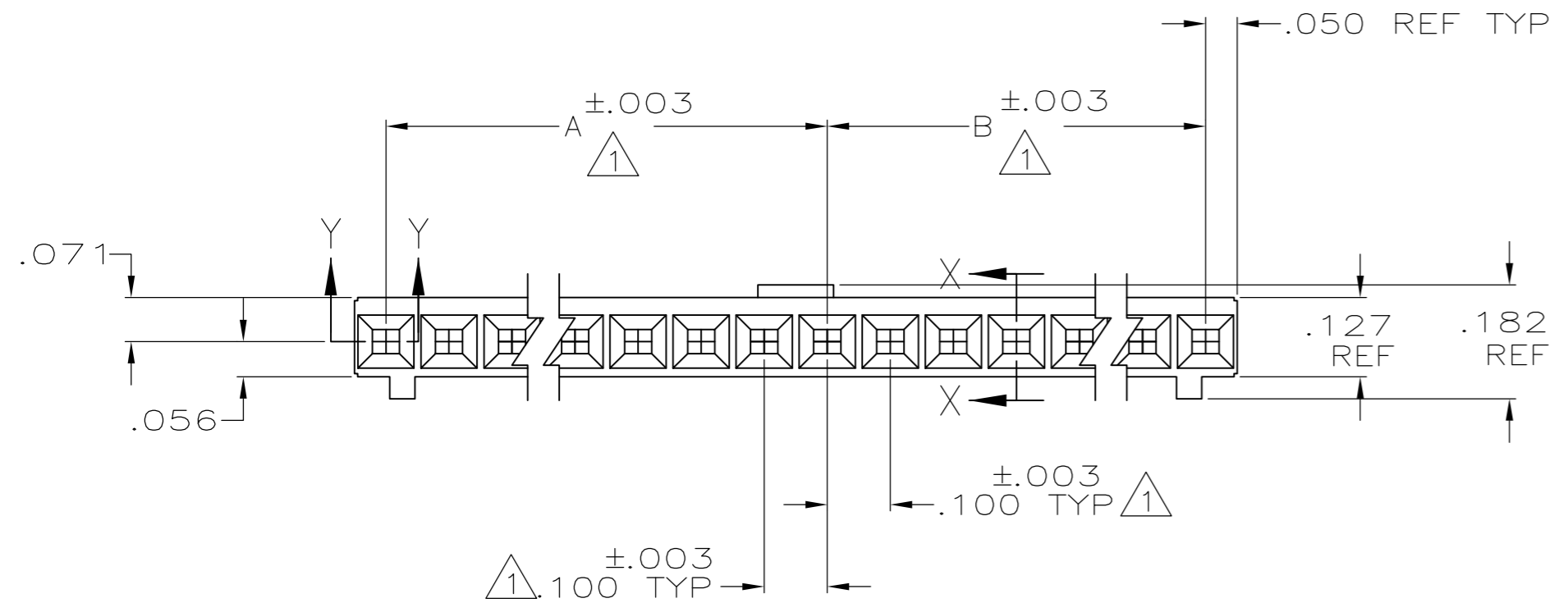
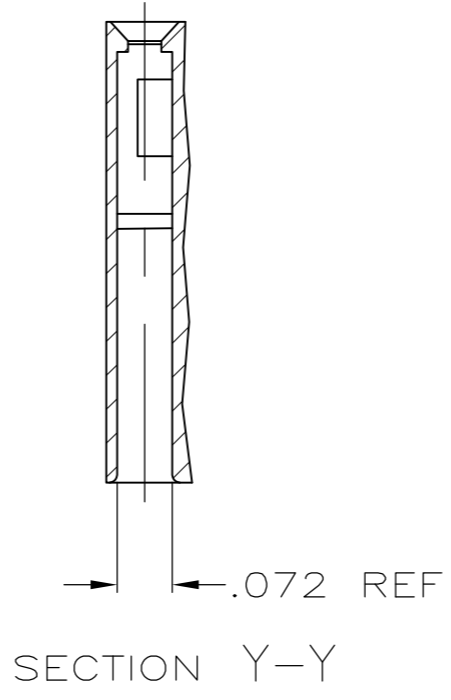
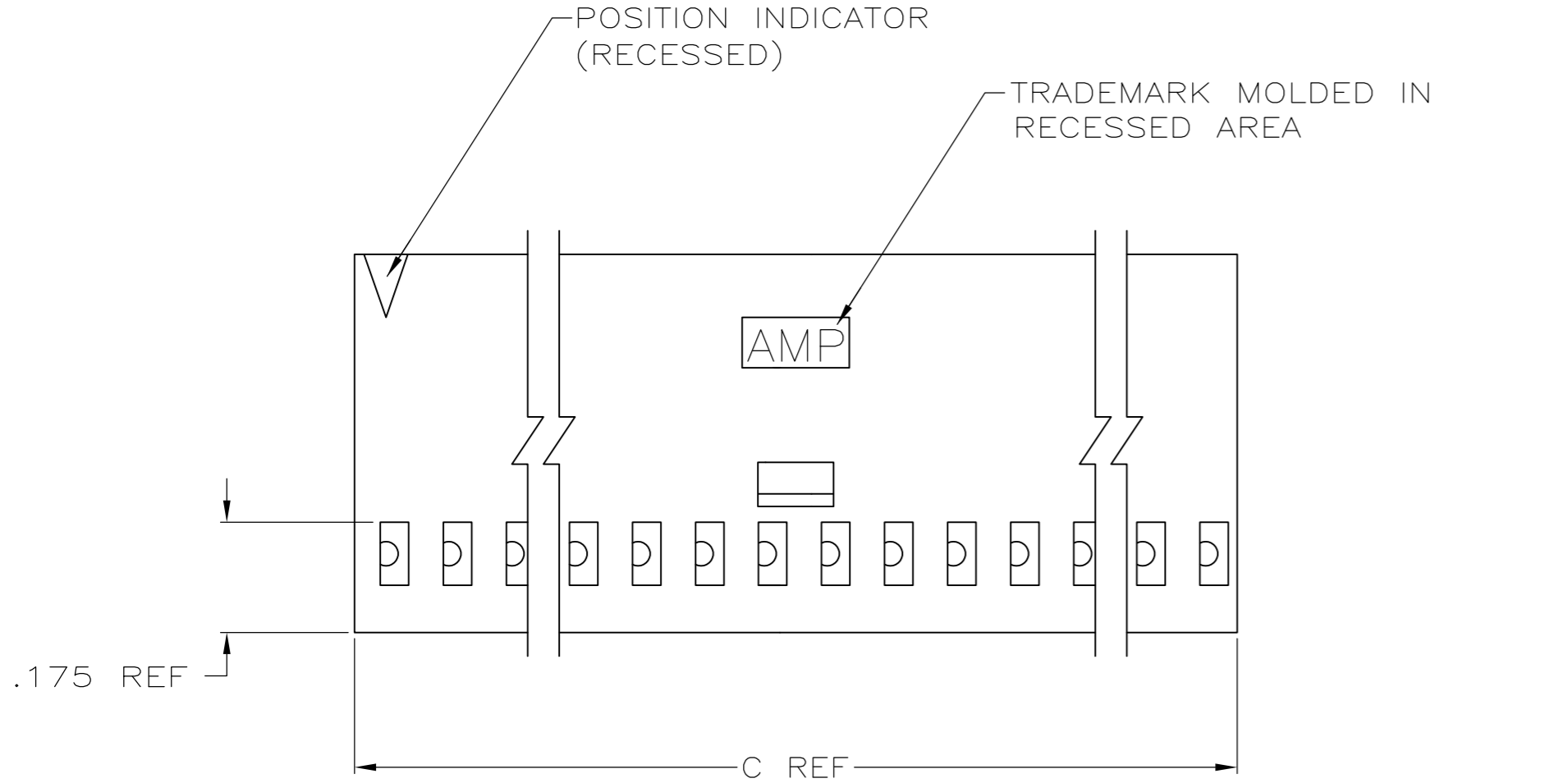


THIS DRAWING IS UNPUBLISHED. RELEASED FOR PUBLICATION  
 © COPYRIGHT - By - ALL RIGHTS RESERVED.

| LOC | DIST | REVISIONS |     |                           |         |     |      |
|-----|------|-----------|-----|---------------------------|---------|-----|------|
| AD  | 39   | P         | LTR | DESCRIPTION               | DATE    | DWN | APVD |
|     |      | N3        |     | REVISED PER ECO-11-004587 | 11MAR11 | RK  | HMR  |



|              |          |       |       |           |                       |                       |
|--------------|----------|-------|-------|-----------|-----------------------|-----------------------|
| <br>OBSOLETE | 3.600    | 1.700 | 1.800 | 36        | <del>3-102241-4</del> |                       |
|              | 3.500    | 1.700 | 1.700 | 35        | <del>3-102241-3</del> |                       |
|              | 3.400    | 1.600 | 1.700 | 34        | <del>3-102241-2</del> |                       |
|              | 3.300    | 1.600 | 1.600 | 33        | <del>3-102241-1</del> |                       |
|              | 3.200    | 1.500 | 1.600 | 32        | <del>3-102241-0</del> |                       |
|              | 3.100    | 1.500 | 1.500 | 31        | <del>2-102241-9</del> |                       |
|              | 3.000    | 1.400 | 1.500 | 30        | <del>2-102241-8</del> |                       |
|              | 2.900    | 1.400 | 1.400 | 29        | <del>2-102241-7</del> |                       |
|              | 2.800    | 1.300 | 1.400 | 28        | <del>2-102241-6</del> |                       |
|              | 2.700    | 1.300 | 1.300 | 27        | <del>2-102241-5</del> |                       |
|              | 2.600    | 1.200 | 1.300 | 26        | <del>2-102241-4</del> |                       |
|              | 2.500    | 1.200 | 1.200 | 25        | <del>2-102241-3</del> |                       |
|              | 2.400    | 1.100 | 1.200 | 24        | <del>2-102241-2</del> |                       |
|              | 2.300    | 1.100 | 1.100 | 23        | <del>2-102241-1</del> |                       |
|              | OBSOLETE | 2.200 | 1.000 | 1.100     | 22                    | 2-102241-0            |
|              | OBSOLETE | 2.100 | 1.000 | 1.000     | 21                    | <del>1-102241-9</del> |
|              |          | 2.000 | .900  | 1.000     | 20                    | 1-102241-8            |
|              |          | 1.900 | .900  | .900      | 19                    | 1-102241-7            |
|              |          | 1.800 | .800  | .900      | 18                    | 1-102241-6            |
|              |          | 1.700 | .800  | .800      | 17                    | 1-102241-5            |
|              |          | 1.600 | .700  | .800      | 16                    | 1-102241-4            |
|              |          | 1.500 | .700  | .700      | 15                    | 1-102241-3            |
|              |          | 1.400 | .600  | .700      | 14                    | 1-102241-2            |
|              | 1.300    | .600  | .600  | 13        | 1-102241-1            |                       |
|              | 1.200    | .500  | .600  | 12        | 1-102241-0            |                       |
|              | 1.100    | .500  | .500  | 11        | 102241-9              |                       |
|              | 1.000    | .400  | .500  | 10        | 102241-8              |                       |
|              | .900     | .400  | .400  | 9         | 102241-7              |                       |
|              | .800     | .300  | .400  | 8         | 102241-6              |                       |
|              | .700     | .300  | .300  | 7         | 102241-5              |                       |
|              | .600     | .200  | .300  | 6         | 102241-4              |                       |
|              | .500     | .200  | .200  | 5         | 102241-3              |                       |
|              | .400     | .100  | .200  | 4         | 102241-2              |                       |
|              | .300     | .100  | .100  | 3         | 102241-1              |                       |
|              | C        | B     | A     | NO OF POS | PART NUMBER           |                       |

- CAVITY LOCATION DIMENSIONS INCREASE IN INCREMENTS OF .100 TOLERANCE NON-CUMULATIVE
- 2 USE EXTRACTION TOOL 91052-1 TO REMOVE RECEPTACLE CONTACTS
- OBSOLETE PARTS: OBSOLETE CIS STREAMLINING PER D.RENAUD/D.SINISI

THIS DRAWING IS A CONTROLLED DOCUMENT.

|                            |                                                                                                   |
|----------------------------|---------------------------------------------------------------------------------------------------|
| DWN<br>D FABIAN<br>8-2-78  | <br>TE Connectivity                                                                               |
| CHK<br>B WOLFE<br>10-27-78 |                                                                                                   |
| APVD<br>-                  | NAME                                                                                              |
| PRODUCT SPEC<br>-          | CONN HOUSING, CRIMP SNAP-IN<br>MOD IV, SINGLE ROW, .100<br>CENTERS, WITH POLARIZATION AND DETENTS |
| APPLICATION SPEC<br>-      | SIZE<br>A2                                                                                        |
| WEIGHT<br>-                | CAGE CODE<br>00779                                                                                |
| CUSTOMER DRAWING           | DRAWING NO<br>C=102241                                                                            |
|                            | RESTRICTED TO<br>-                                                                                |
|                            | SCALE<br>-                                                                                        |
|                            | SHEET<br>1 OF 1                                                                                   |
|                            | REV<br>N3                                                                                         |

## X-ON Electronics

Largest Supplier of Electrical and Electronic Components

*Click to view similar products for [Headers & Wire Housings](#) category:*

*Click to view products by [TE Connectivity](#) manufacturer:*

Other Similar products are found below :

[892-18-020-10-001101](#) [58102-G61-06LF](#) [582553-1](#) [0009485154](#) [009176003701906](#) [0050291907](#) [LY20-4P-DT1-P1E-BR](#) [02.125.8002.8](#)  
[609-3404](#) [61062-3](#) [61082-181009](#) [622-3653LF](#) [63453-116](#) [636-1030](#) [636-1427](#) [636-3427](#) [636-4007](#) [641938-9](#) [641991-4](#) [644827-2](#) [65817-](#)  
[010LF](#) [65817-015LF](#) [65863-015LF](#) [66207-023LF](#) [67095-007LF](#) [67601157](#) [68645-018](#) [68648-049](#) [70.362.1628.0](#) [70-4210](#) [70-4226B](#) [70-](#)  
[4853B](#) [707-5020](#) [707-5028](#) [71.350.2428.0](#) [71918-208LF](#) [71961-016LF](#) [733-134](#) [733-162](#) [754199-000](#) [760-3052](#) [787-8014-00](#) [79531-3000](#)  
[FCN-360C032-B](#) [FCN-367T-T012/H](#) [FCN-723D010/2](#) [80.063.4001.1](#) [800-90-001-10-001000](#) [800-90-010-10-002000](#) [801-43-002-10-013000](#)