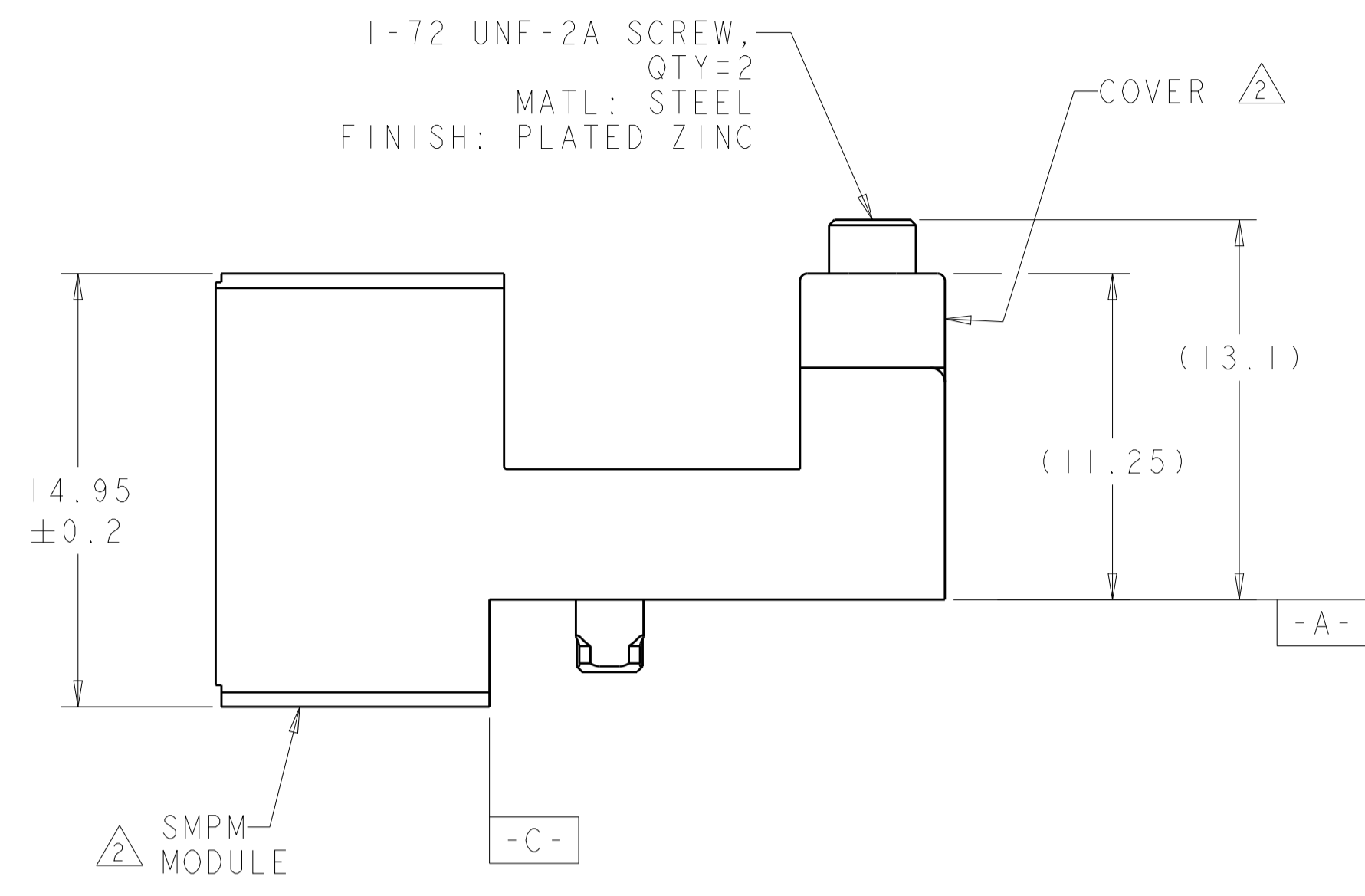
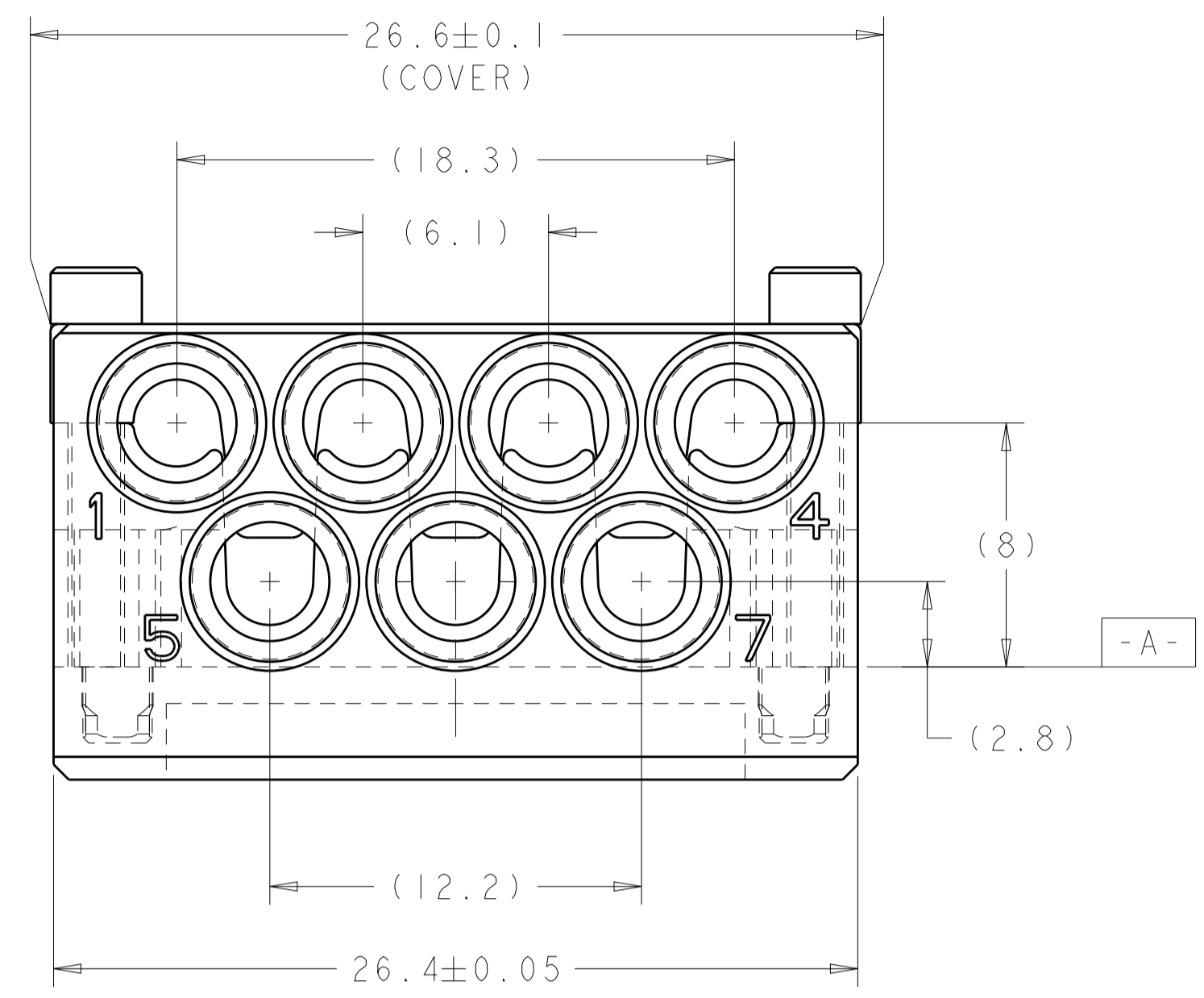


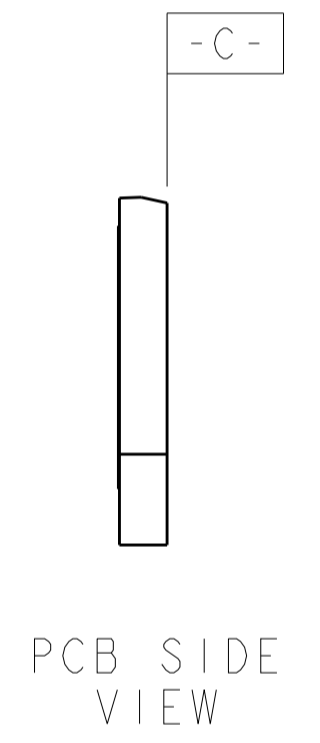
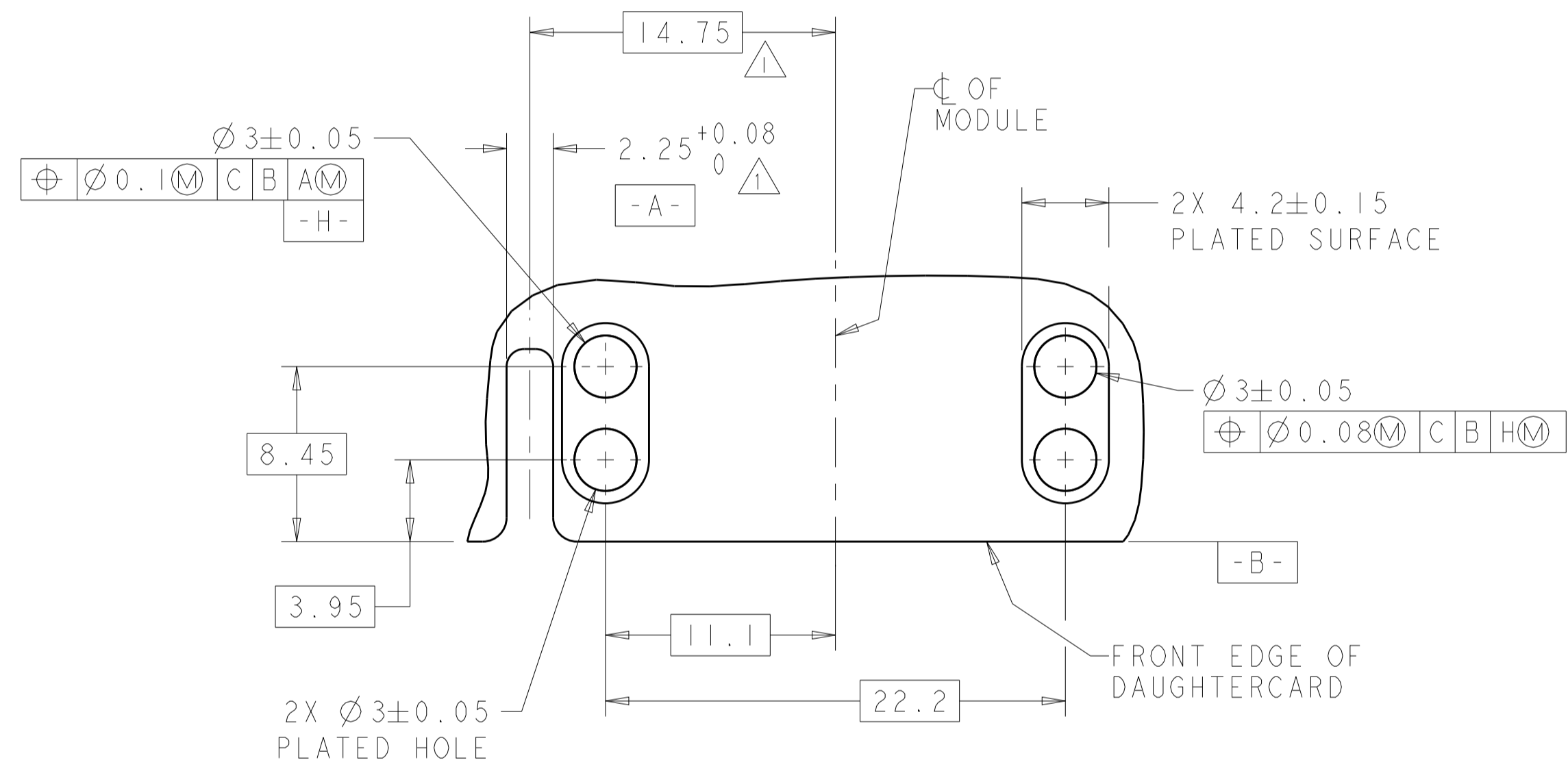
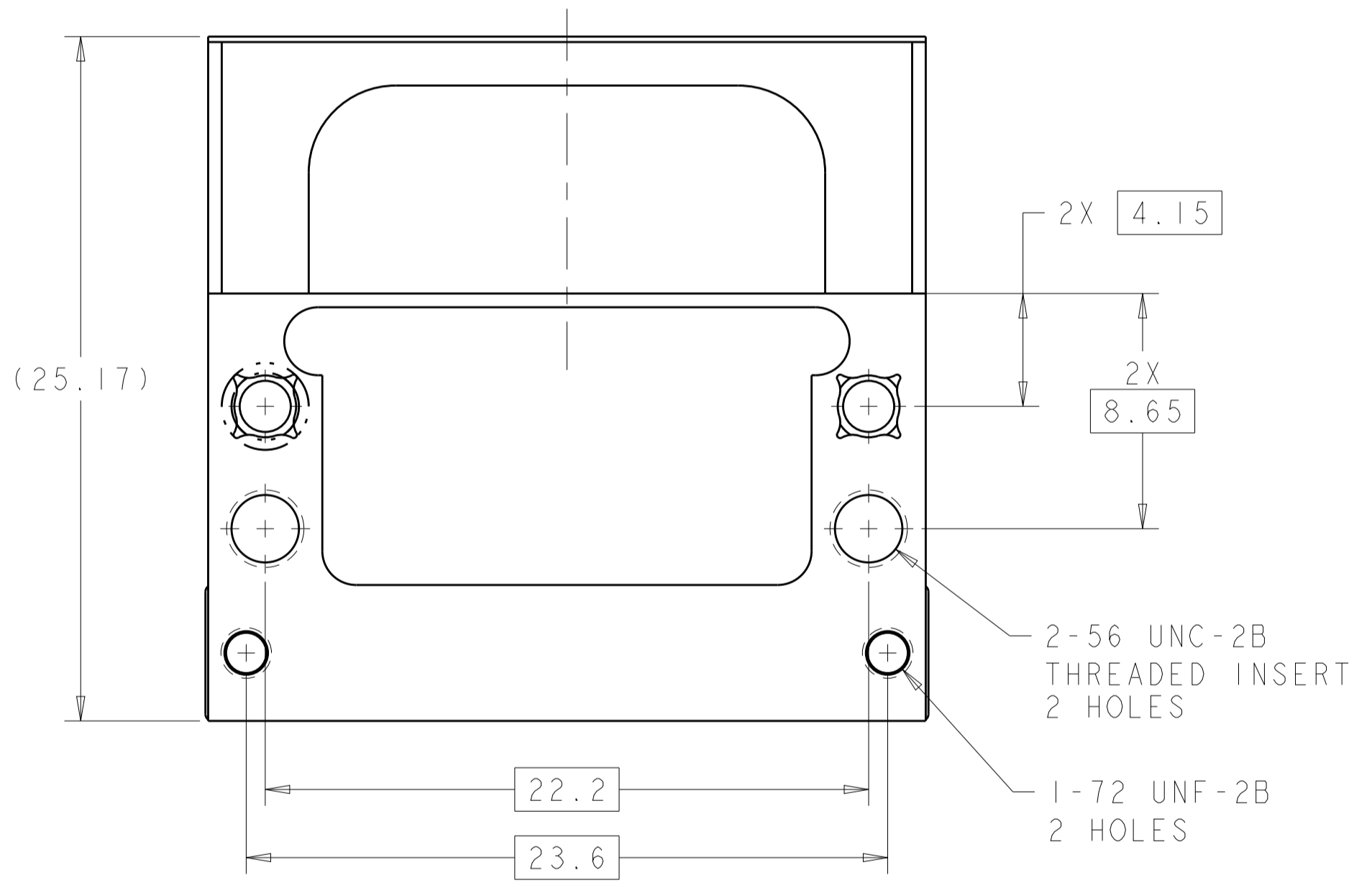
LOC	DIST	REVISIONS					
		P	LTN	DESCRIPTION	DATE	DWN	APVD
A5	DF	A		RELEASED PER ECO 12-020238	11-16-12	CT	DH



1 THE 2.25 FEATURE, [-A-], IS A TYPICAL HSR FAMILY LOCATING FEATURE. IN OTHER APPLICATIONS OF THIS MODULE A DIFFERENT FEATURE MAY BE USED FOR ESTABLISHING CORRECT LOCATION. THE [14.75] DIMENSION MAY BE REPLACED WITH OTHER VALUES FOR LOCATING THIS MODULE IN DIFFERENT POCKETS OF VARIOUS HSR CONFIGURATIONS.

2 MATL: ALUMINUM PER ASTM-B-209. FINISH: ELECTROLESS NICKEL PER AMS-C-26074 CLASS 1.

3. PARTS SHIPPED UNASSEMBLED.



AS SHOWN		7	2102272-1
DESCRIPTION	MATERIAL AND FINISH	POSITIONS	KIT NUMBER

THIS DRAWING IS A CONTROLLED DOCUMENT.		DWN: 09JUL2010 Brent D. Toth	TE Connectivity KIT, MODULE AND STRAIN RELIEF, 7 POSN, SMPM, PLUG, DAUGHTER CARD, HSR, UNSEALED
DIMENSIONS: mm		CHK: 13JUL2010 CHONG YI	
TOLERANCES UNLESS OTHERWISE SPECIFIED:		APVD: 13JUL2010 CHONG YI	NAME
0 PLC	±	PRODUCT SPEC	SIZE
1 PLC	±0.1	APPLICATION SPEC	CAGE CODE
2 PLC	±0.05	WEIGHT	DRAWING NO
3 PLC	±	Customer Drawing	RESTRICTED TO
4 PLC	±	SCALE 5:1	SHEET 1 OF 1
ANGLES	±	REV A	

X-ON Electronics

Largest Supplier of Electrical and Electronic Components

Click to view similar products for [Hard Metric Connectors](#) category:

Click to view products by [TE Connectivity](#) manufacturer:

Other Similar products are found below :

[10146110-VR5C](#) [6345127-1](#) [646916-9](#) [853016](#) [973108](#) [1-2000676-2](#) [1-2000713-0](#) [1-2000713-2](#) [1-2000713-3](#) [134187](#) [1645343-1](#) [1645456-1](#) [1645601-1](#) [1934822-1](#) [223085-1](#) [278071110010833](#) [1645245-1](#) [1645525-1](#) [1645570-1](#) [1645596-1](#) [1857470-1](#) [1934275-1](#) [1934289-1](#) [1934759-1](#) [2000673-1](#) [204975](#) [2170292-2](#) [2-536642-6](#) [3-100668-0](#) [352188-1](#) [352629-1](#) [3-646346-0](#) [3-646457-0](#) [3-646529-0](#) [5120823-1](#) [5120899-1](#) [3-100145-0](#) [3-100147-0](#) [3-100669-1](#) [HM2DK2368PLF](#) [5646530-1](#) [3-352049-0](#) [3-352069-0](#) [3-352115-0](#) [3-352638-0](#) [352189-1](#) [3-646357-0](#) [3-646487-0](#) [3-646513-0](#) [51208191](#)