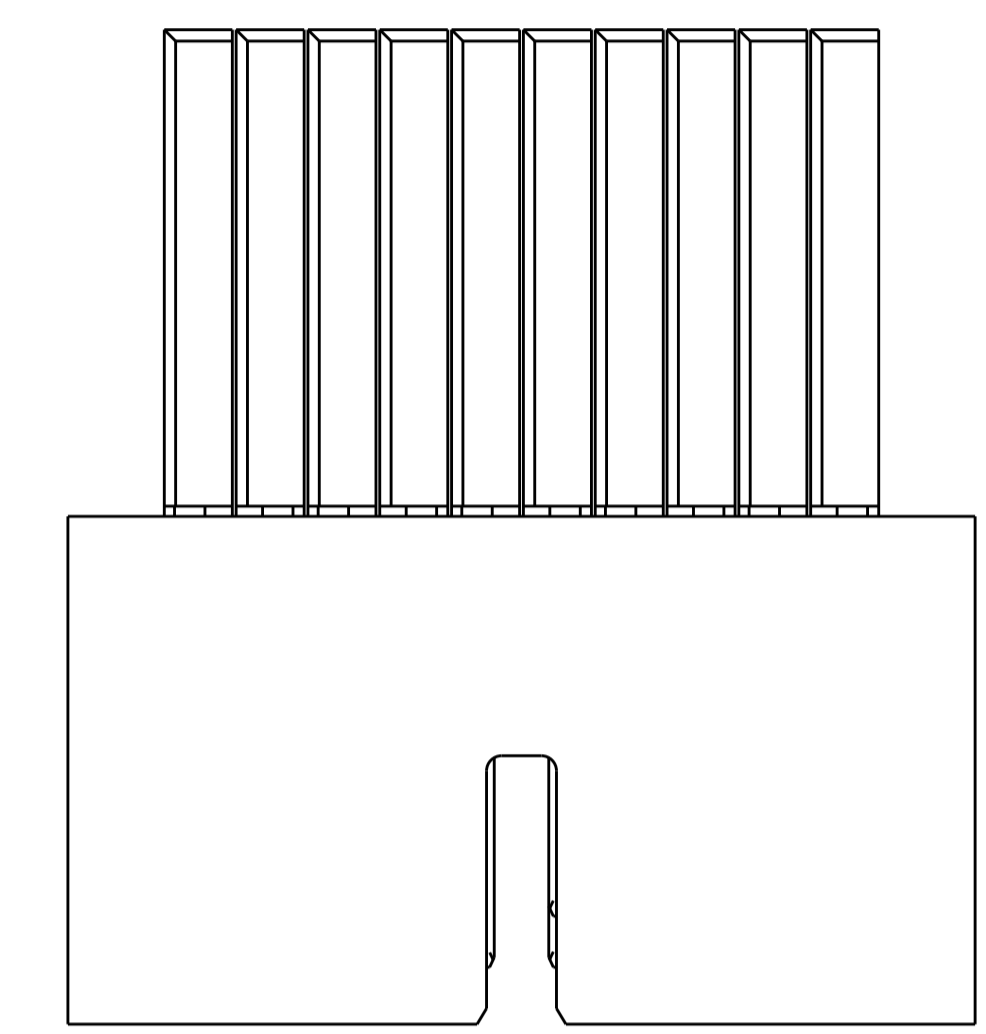
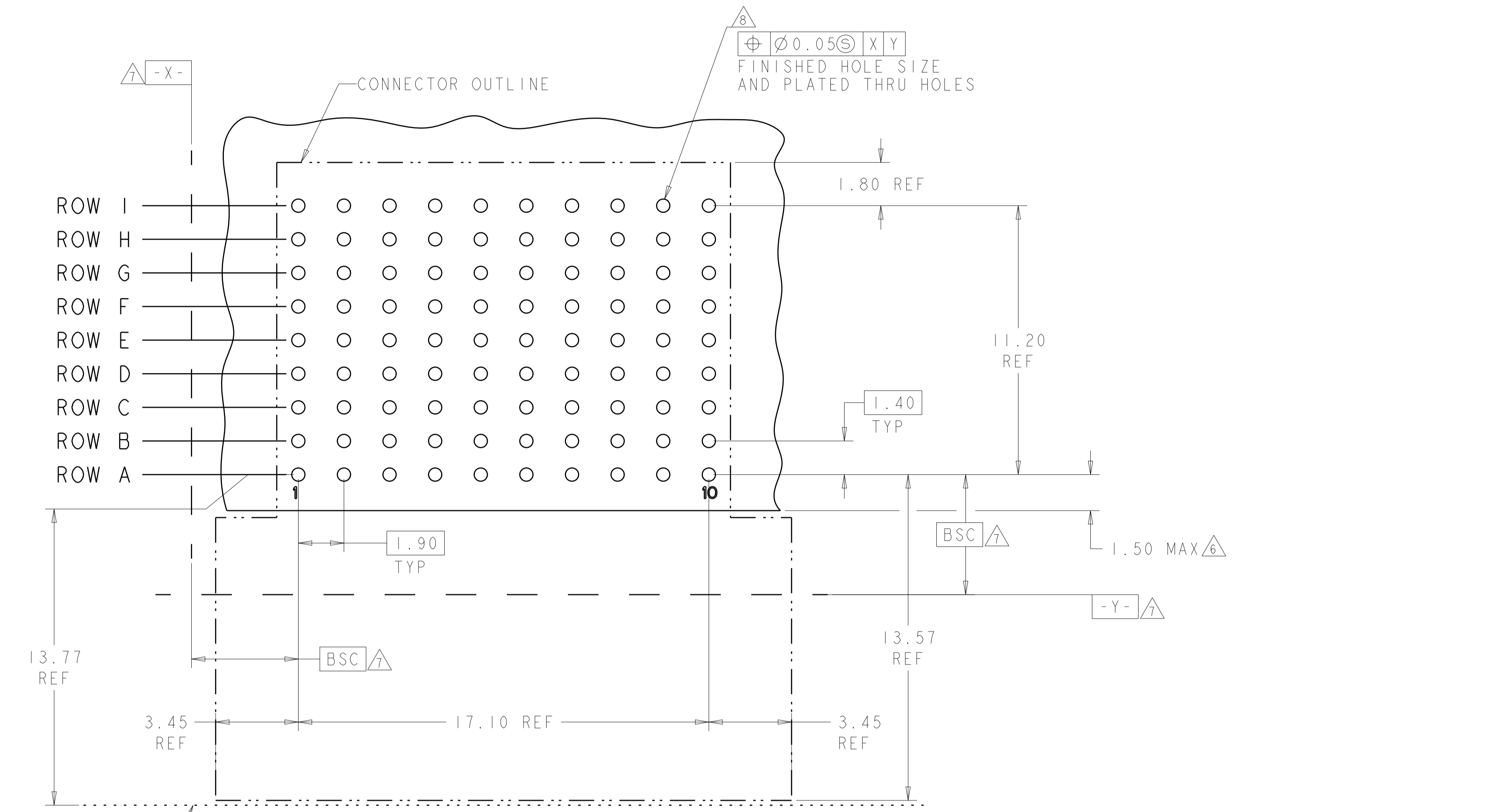
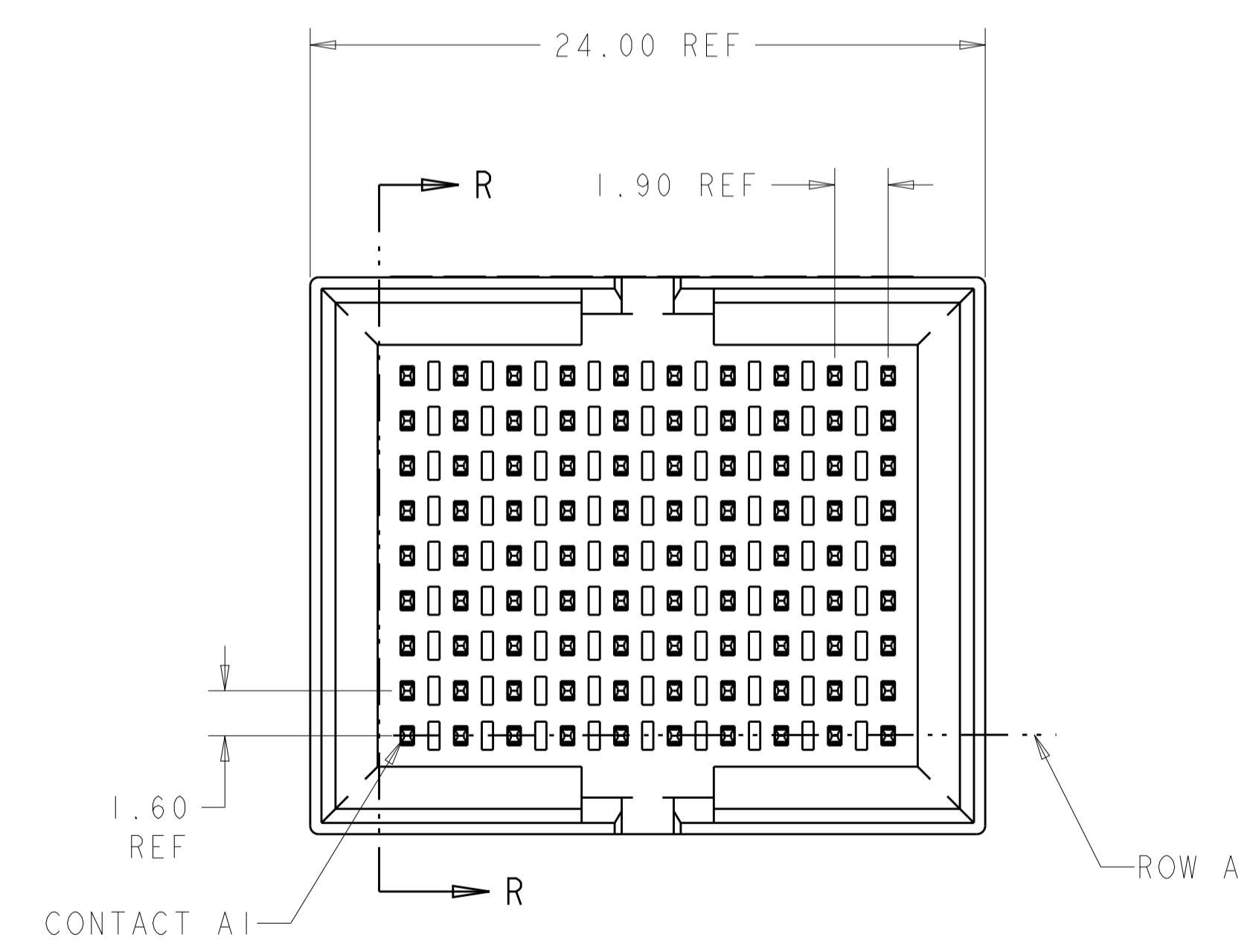
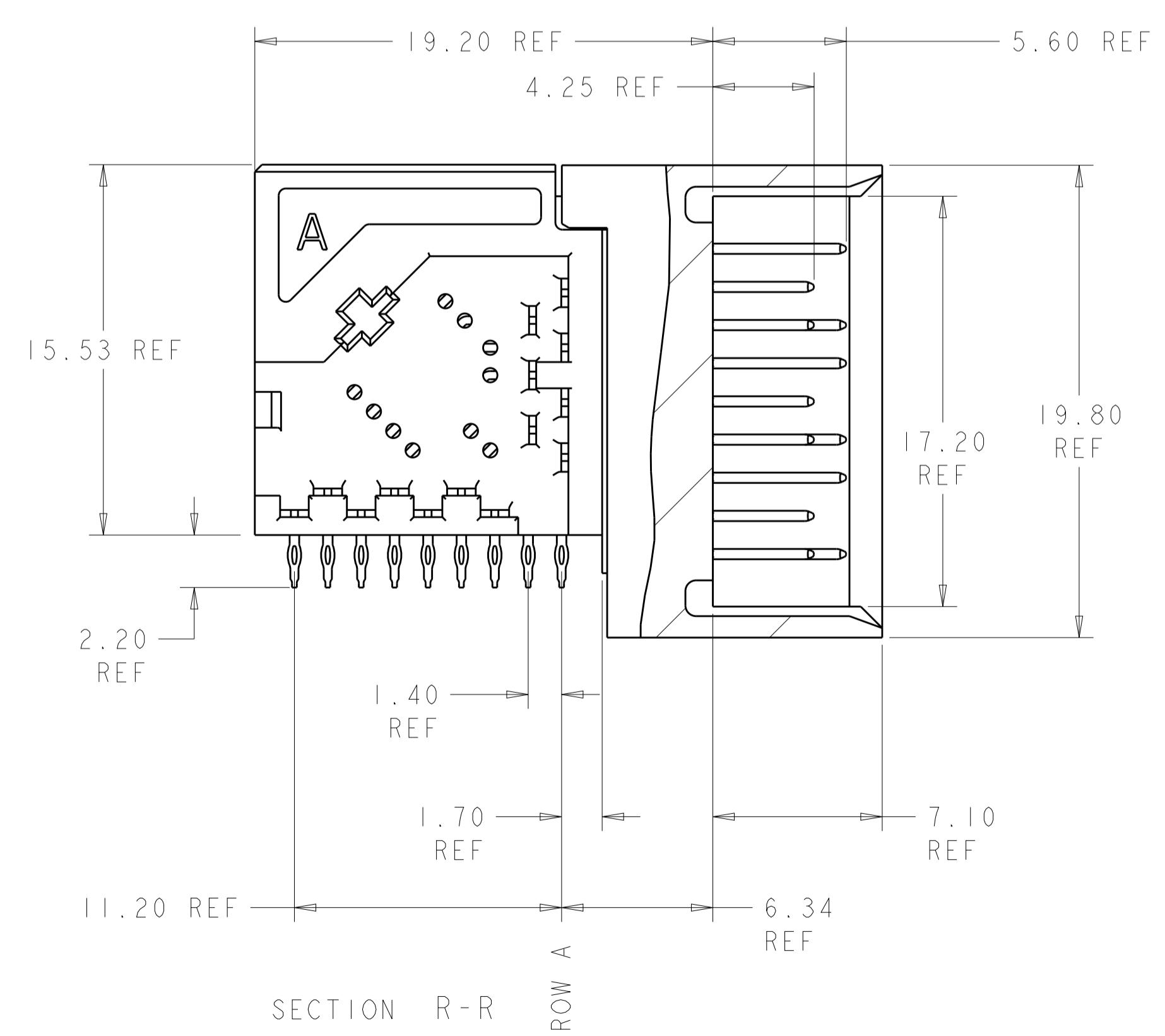


LOC		DIST		REVISIONS			
P	LTN	DESCRIPTION	DATE	DWN	APVD		
B		REV PER ECO 12-010940	7-31-12	CT	DH		
C		REVISED PER ECO-14-017030	24NOV14	MGM	CT		



TOP OF MOTHER BOARD  
 RECOMMENDED PC BOARD LAYOUT  
 COMPONENT SIDE SHOWN  
 SCALE 8:1



- 1 MATERIAL:  
CONTACT AND SHIELD: COPPER ALLOY  
HOUSING AND CHICKLET: LCP, COLOR: BLACK
- 2 FINISH:  
CONTACT: MATING AREA: 1.27μm MIN GOLD OVER  
1.27μm MIN NICKEL
- 3 FINISH:  
COMPLIANT PIN AREA: 0.38μm MIN BRIGHT TIN LEAD OVER  
1.27μm MIN NICKEL
- 4 FINISH:  
COMPLIANT PIN AREA: 0.38μm MIN MATTE TIN OVER  
1.27μm MIN NICKEL
- 5 --
- 6 DIMENSION APPLIES TO CENTERLINE OF THRU HOLE.
- 7 DATUMS AND BASIC DIMENSIONS ESTABLISHED BY CUSTOMER.
- 8 REFERENCE APPLICATION SPEC 114-13267 FOR RECOMMENDED  
PLATED THRU HOLE DIAMETER AND PLATING THICKNESS.
- 9 OBSOLETE.

2 4	2102318-2
2 3	2102318-1
FINISH	PART NUMBER

THIS DRAWING IS A CONTROLLED DOCUMENT.

DIMENSIONS:	TOLERANCES UNLESS OTHERWISE SPECIFIED:	DWN: D. BELACK 24JUN2009	CHK: A. TSANG 6-24-2009	APVD: M. McALONIS 6-24-2009	NAME: Fortis Zd, 3-PAIR, 10-COLUMN, R/A, FULL SHROUD ASSEMBLY, SINGLE ENDED
mm	0 PLC ±	PRODUCT SPEC	108-2409	APPLICATION SPEC	SIZE: CAGE CODE: DRAWING NO: RESTRICTED TO
	1 PLC ±.13	114-13267	WEIGHT: ~12.33g	A100779C=2102318	SCALE: 5:1 SHEET 1 OF 1 REV C
	2 PLC ±.25	CUSTOMER DRAWING			
	3 PLC ±.50				
	4 PLC ±				
	ANGLES				
MATERIAL:	FINISH:				

## X-ON Electronics

Largest Supplier of Electrical and Electronic Components

*Click to view similar products for [High Speed/Modular Connectors](#) category:*

*Click to view products by [TE Connectivity](#) manufacturer:*

Other Similar products are found below :

[2332816-1](#) [89006-1137LF](#) [650827-1](#) [65762-001LF](#) [73474-201LF](#) [74040-1346](#) [74075-0267](#) [1410191-1](#) [1410337-1](#) [1410368-3](#) [1410964-2](#)  
[1410367-3](#) [1410971-4](#) [1467833-1](#) [2000877-1](#) [2000878-1](#) [2041314-1](#) [2065387-1](#) [2187307-1](#) [2187462-1](#) [91290-101LF](#) [163P](#) [1934290-1](#)  
[2000875-1](#) [2065917-1](#) [2102736-2](#) [FSR-40](#) [2169868-2](#) [22354-8](#) [437-5040-000](#) [5-1393565-0](#) [532449-3](#) [532803-2](#) [34745-0001](#) [1-1393708-5](#)  
[73774-1000](#) [532939-1](#) [5-531355-3](#) [85838-180LF](#) [HM1S43TRR460H6PLF](#) [0760205010](#) [0782341022](#) [1-966831-4](#) [3-1469268-7](#) [77427-121LF](#)  
[74748-102LF](#) [10009542-001LF](#) [73983-A001LF](#) [10041743-101LF](#) [10066670-100002LF](#)