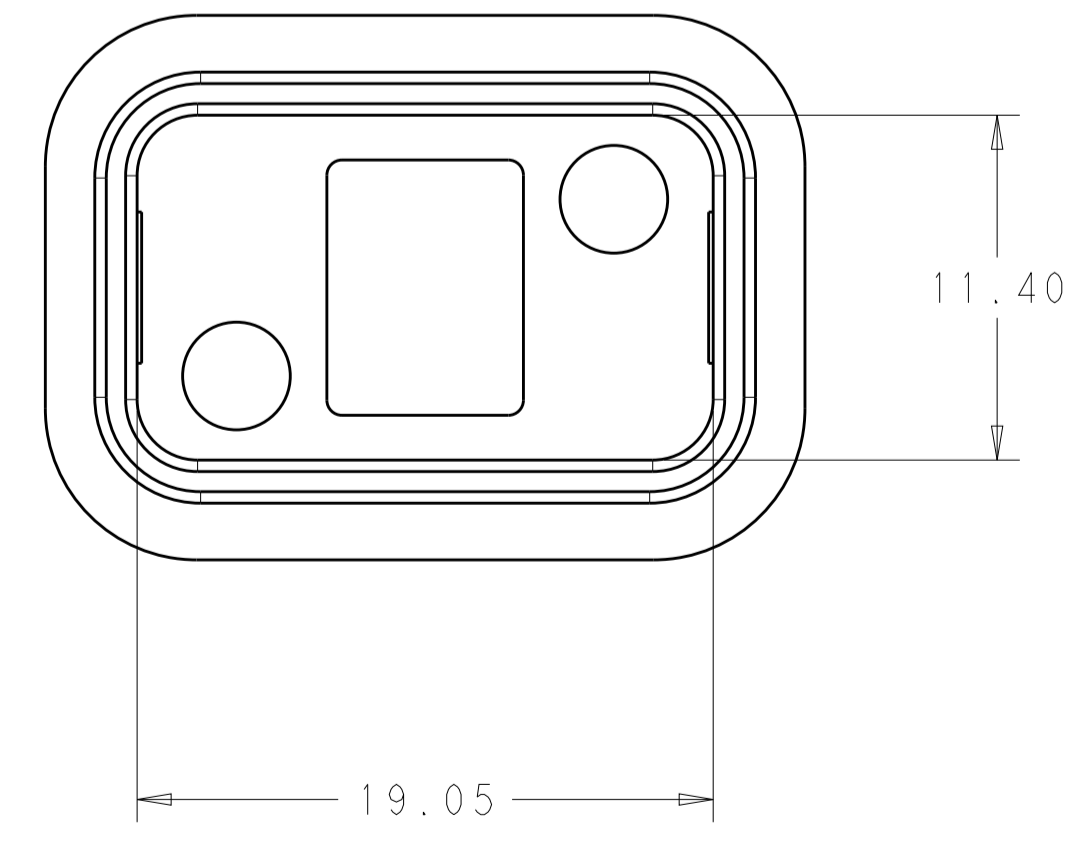
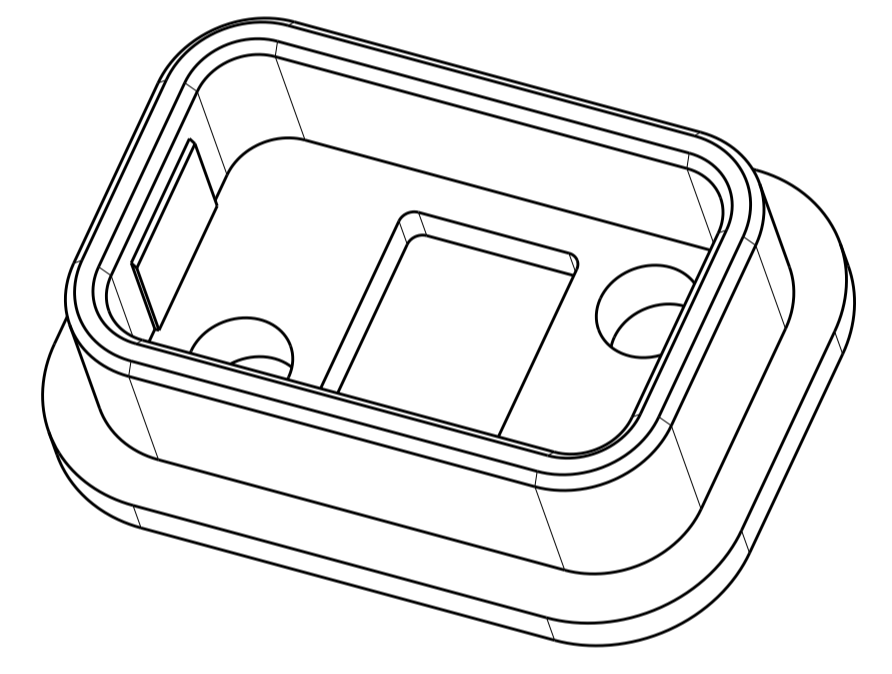
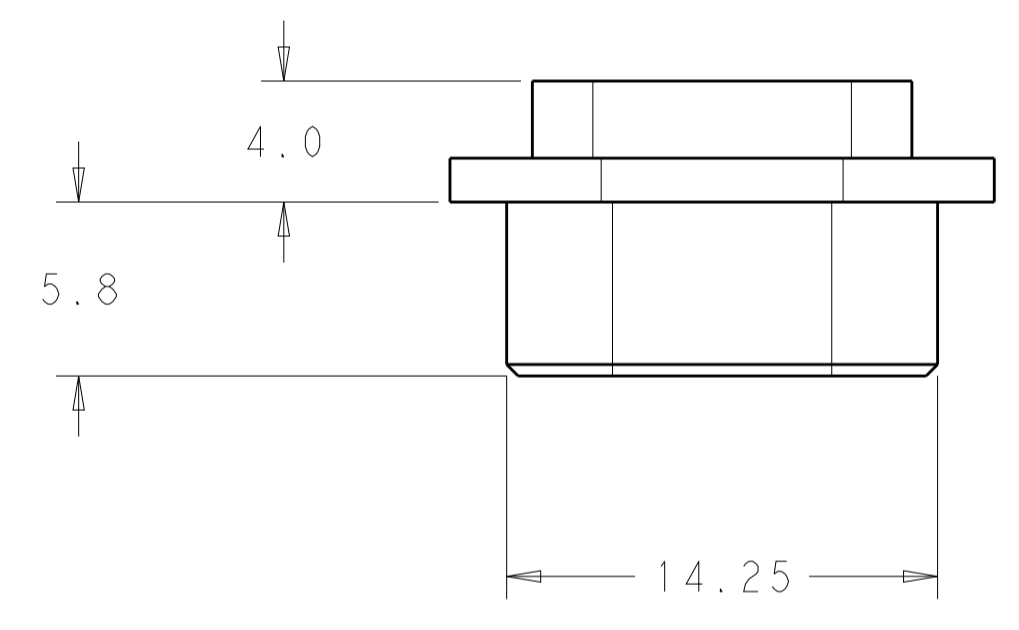
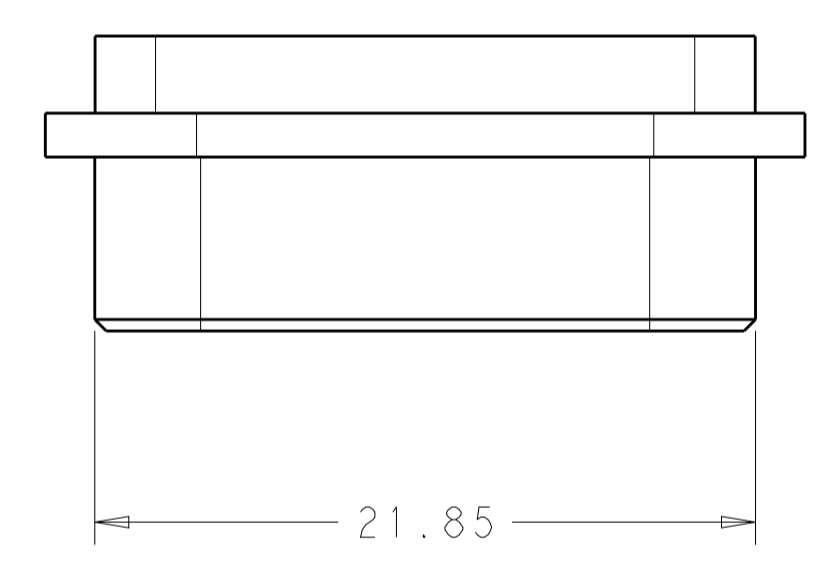
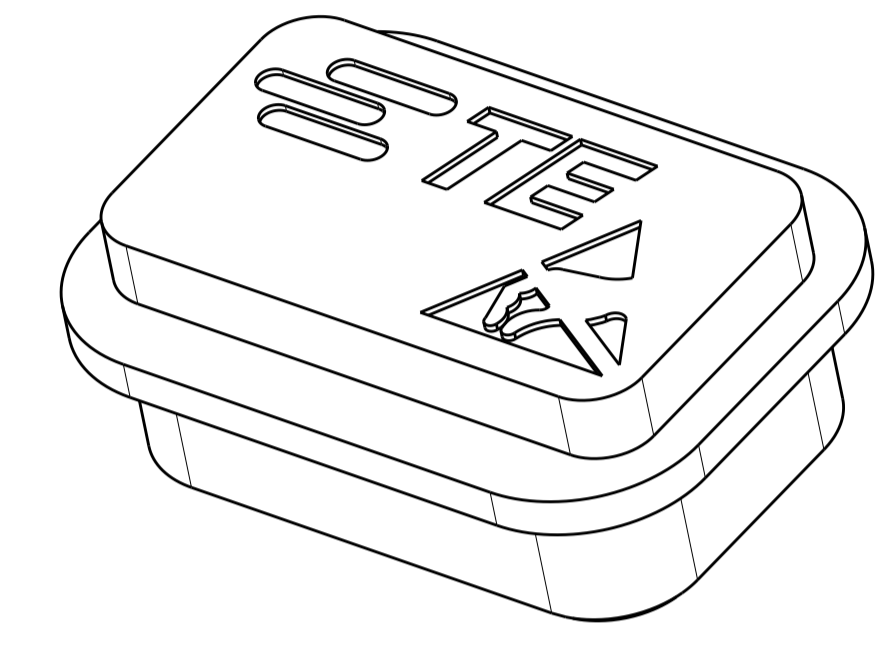
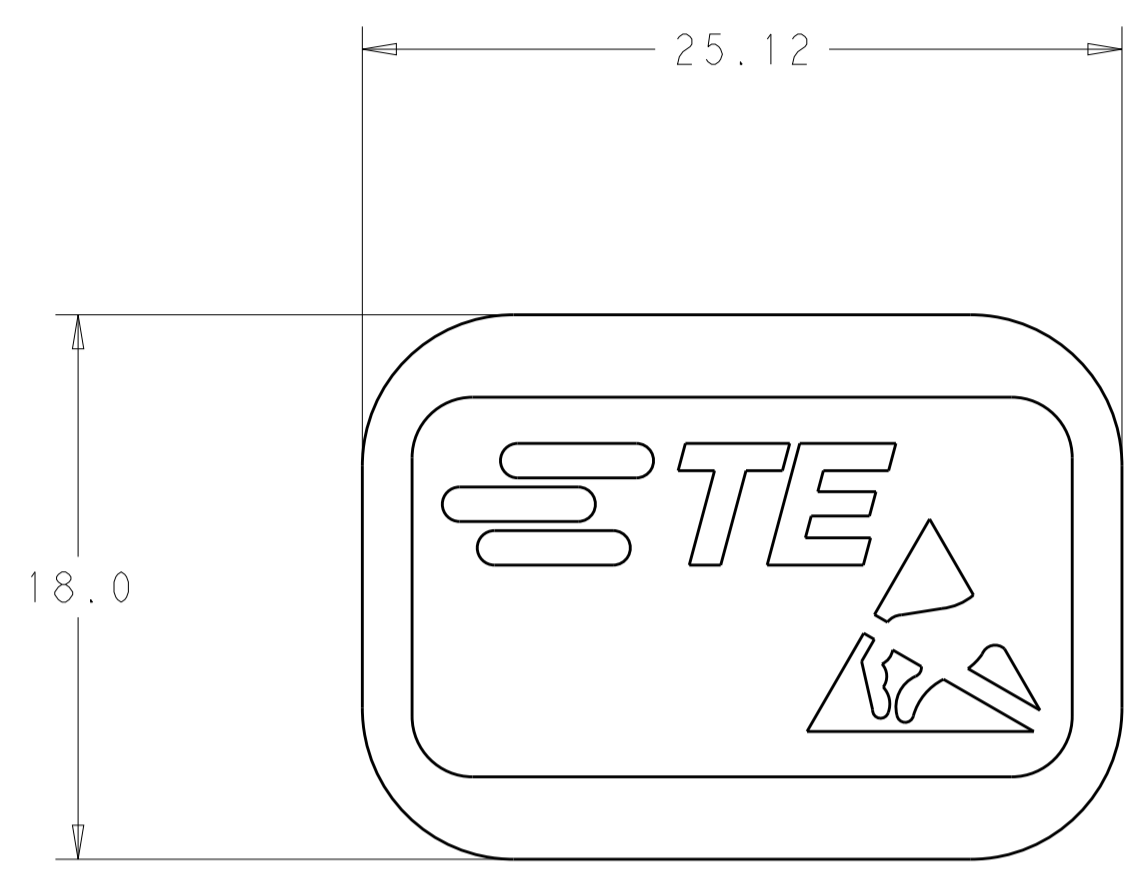


| LOC | | DIST | | REVISIONS | | | |
|-----|-----|---------------------------------------|-----------|-----------|------|--|--|
| P | LTN | DESCRIPTION | DATE | DWN | APVD | | |
| 2 | | REVISED CONNECTOR FIT | 13DEC2010 | DF | JM | | |
| 3 | | UPDATED TE LOGOS | 21MAR2011 | DF | JM | | |
| 4 | | 5.8 WAS 5.75, REVISED SHEET TOLERANCE | 21MAY2013 | DF | JM | | |
| A | | ECO-13-010049 | 18JUN2013 | KG | DW | | |



⚠ MATERIAL: ANTI-STATIC THERMOPLASTIC ELASTOMER PER ASTM D5593, COLOR: BLACK.

2102321-1
 PART NUMBER

| | | | | |
|--|--|--------------------------|------------------------------------|--|
| THIS DRAWING IS A CONTROLLED DOCUMENT. DIMENSIONING AND TOLERANCING PER ASME Y14.5M-2009 | | DWN: D. FABIAN 16SEP2010 | STE Connectivity | |
| DIMENSIONS: mm | | CHK: - | NAME: DUST COVER VITA 66.1 - STYLE | |
| TOLERANCES UNLESS OTHERWISE SPECIFIED: | | APVD: - | PRODUCT SPEC: - | |
| 0 PLC ± | | APPLICATION SPEC: - | | |
| 1 PLC ±0.2 | | SIZE: A1 | | |
| 2 PLC ±0.20 | | CAGE CODE: 00779 | | |
| 3 PLC ± | | DRAWING NO: 2102321 | | |
| 4 PLC ± | | RESTRICTED TO: - | | |
| ANGLES ± | | WEIGHT: - | | |
| FINISH: - | | Customer Drawing | | |
| SCALE: 4:1 | | SHEET 1 OF 1 | | |
| REV: A | | | | |

X-ON Electronics

Largest Supplier of Electrical and Electronic Components

Click to view similar products for [Fibre Optic Connectors](#) category:

Click to view products by [TE Connectivity](#) manufacturer:

Other Similar products are found below :

[F718092216](#) [AX104024](#) [AX100045](#) [AX100068](#) [AX103256](#) [501048-1](#) [E39R37](#) [181-048-16](#) [60926](#) [98039-003LF](#) [A0407006](#) [60923](#) [60921](#)
[906-122-5047](#) [2102321-1](#) [F81ELBNNNSNM003](#) [F81ELBNNNSNM005](#) [F81ELBNNNSNM010](#) [FAP6WWDLCZ](#) [FQMAP65W](#) [FHC39N-](#)
[08-10A](#) [FHC3XO-08-10A](#) [FHC3XO-08-10B](#) [FHC3ZO-08-10A](#) [FHC3ZO-08-10B](#) [FHC3ZA-08-10A](#) [FHC3ZA-08-10B](#) [FHCXO-20F-10A](#)
[FHCXO-24F-10A](#) [FC39N-16-10A](#) [FLCS2/9SOCPXAQ](#) [FC29N-12-10U](#) [9442W14S-5S](#) [F780904000](#) [944-1023](#) [1534631-1](#) [181-035-1000](#)
[20100014231](#) [F718111220](#) [F718190204](#) [17-300940](#) [F718162200](#) [F718169200](#) [F728753800](#) [R2CT125000](#) [F727711100](#) [F780508000](#)
[F727752100](#) [F727103510](#) [1515844-1](#)