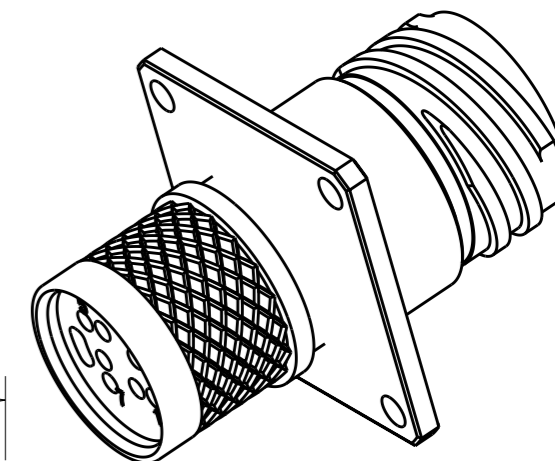
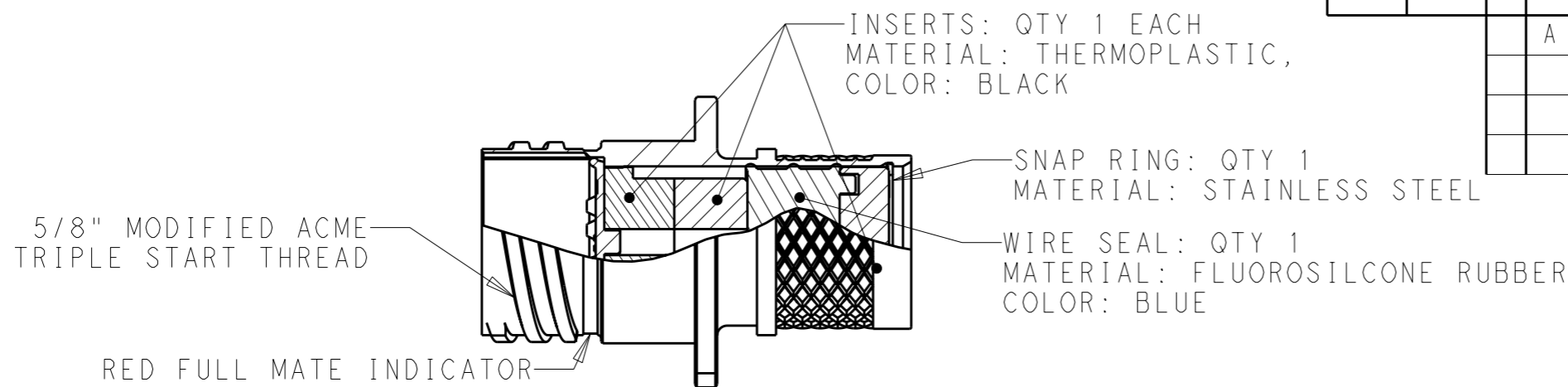
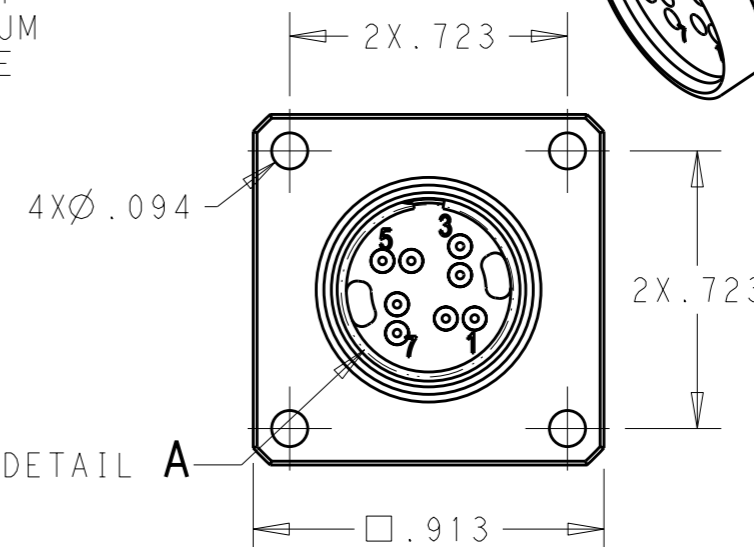
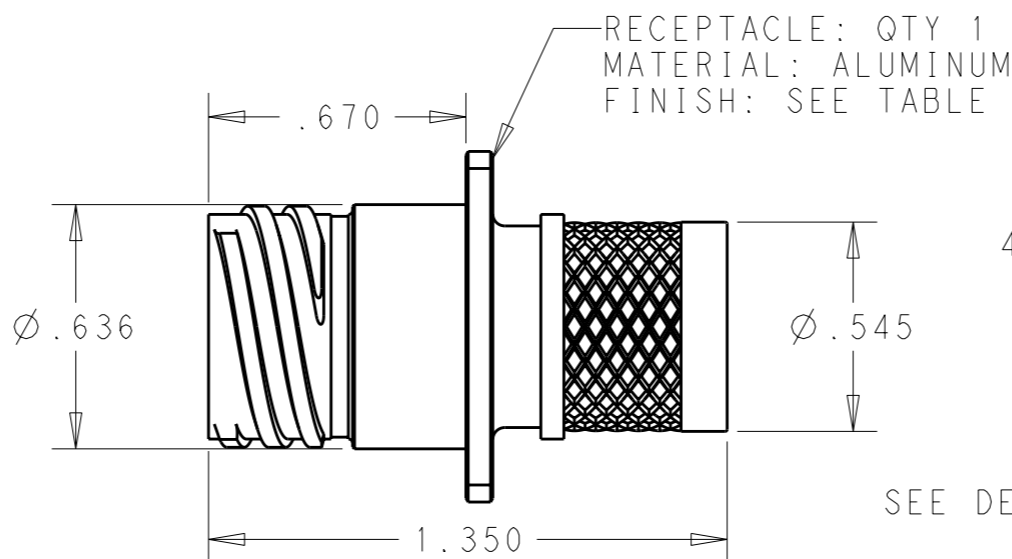
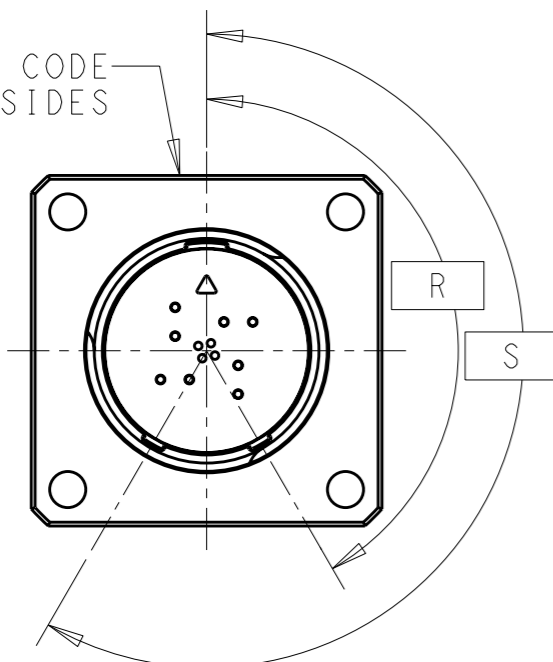


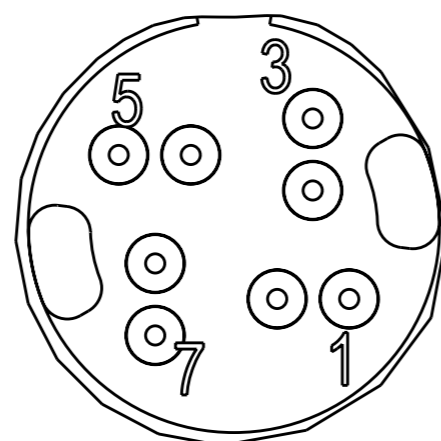
P	LTR	DESCRIPTION	DATE	DWN	APVD
	A	RELEASED PER ECO-12-007058	11APR2012	JM	-



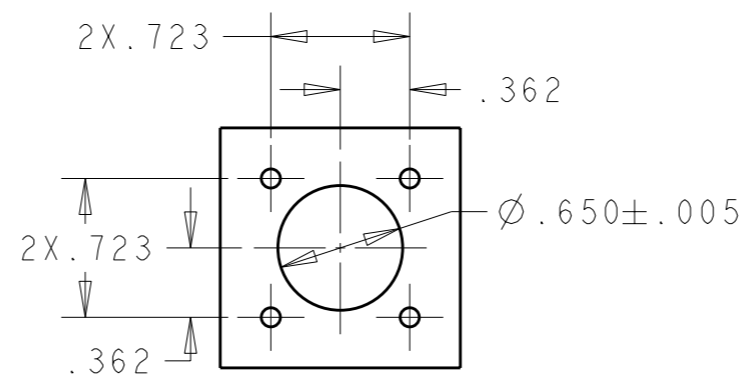
"TE" AND DATE CODE ON 1 OF 4 SIDES



KEY OPTION	KEY ROTATION	
	"R"	"S"
NORMAL	150°	210°
A	140°	215°
B	132°	248°



DETAIL A SCALE 5:1



MAX. PANEL THICKNESS 1/4"

KEYING OPTION	FINISH	PART NUMBER
B	BLACK ZINC NICKLE PLATE	2102342-6
B	NICKLE PLATE	2102342-5
A	BLACK ZINC NICKLE PLATE	2102342-4
A	NICKLE PLATE	2102342-3
NORMAL	BLACK ZINC NICKLE PLATE	2102342-2
NORMAL	NICKLE PLATE	2102342-1

- NOTES:
- 1, -3 AND -5 ARE ELECTROLESS NICKEL PLATE PER MIL-C-26074.
  - 2, -4 AND -6 ARE BLACK ZINC NICKEL PER AMS-2417.

THIS DRAWING IS A CONTROLLED DOCUMENT.		DWN 15DEC2011 MCKIBBEN, JOHN		TE Connectivity	
DIMENSIONS: INCH		CHK 15DEC2011 DOWHOWER, KENNETH			
TOLERANCES UNLESS OTHERWISE SPECIFIED:		APVD 15DEC2011		NAME RECEPTACLE ASSEMBLY	
0 PLC ±.1		PRODUCT SPEC 108-2482		SIZE A3	
1 PLC ±.1		APPLICATION SPEC 114-32025		CAGE CODE 00779	
2 PLC ±.02		WEIGHT -		DRAWING NO C-2102342	
3 PLC ±.005		CUSTOMER DRAWING		RESTRICTED TO -	
4 PLC ±.0005		SCALE 2:1		SHEET 1 OF 1	
ANGLES ±		REV A			
FINISH -					

## X-ON Electronics

Largest Supplier of Electrical and Electronic Components

*Click to view similar products for te connectivity manufacturer:*

Other Similar products are found below :

[570416-000](#) [CLTEQ-M81CE-SSRELAY-4-20V](#) [4-1633138-8](#) [D38999/24FJ4AN](#) [4-1195131-0](#) [650069-000](#) [SMD100-2](#) [2EDL4CM](#)  
[DTS20W19-11PD-3028](#) [DTS20W19-11PD-3028-LC](#) [DTS20W19-32SD-3028-LC](#) [DTS20W19-32SD-3028](#) [NC6-P104-06](#) [TXR64AB90-](#)  
[3616AI](#) [DTS26F21-41HE](#) [DTS26F21-41AE](#) [DTS26F21-41PE-LC](#) [DTS26F21-11SE-3028-LC](#) [D38999/24WF32JE](#) [D38999/24WF32SE-LC](#)  
[DTS24W19-32HE](#) [D38999/20JB35HA](#) [D38999/24WJ20PA](#) [164-8033-08](#) [D38999/24FF32JE](#) [D38999/24FF32SE-LC](#) [D38999/24WF32JB](#)  
[D38999/24WG11HA](#) [D38999/24WG11HN](#) [MS27467T21F11H](#) [DJT16E21-11HA](#) [DTS24F19-32HE](#) [DTS20W19-32SA-3028-LC](#) [DTS24F19-](#)  
[11SC-3028-LC](#) [DTS24F19-11SC-3028](#) [DJT14E13-98HB](#) [D38999/20WC8BB](#) [1-330599-5](#) [DTS24F21-41HN-LC](#) [DTS24F21-41HN](#)  
[DTS24F21-41AN](#) [DTS24F21-39HN](#) [DTS24F21-41PN-LC](#) [AFD50-10-6SN-1A-LC](#) [DJT10F17-26HC](#) [DTS24W19-32HB](#) [ACT20JE99HA](#)  
[DJT10E17-26HC](#) [DJT10E17-26HN](#) [DJT10F17-26HA](#)