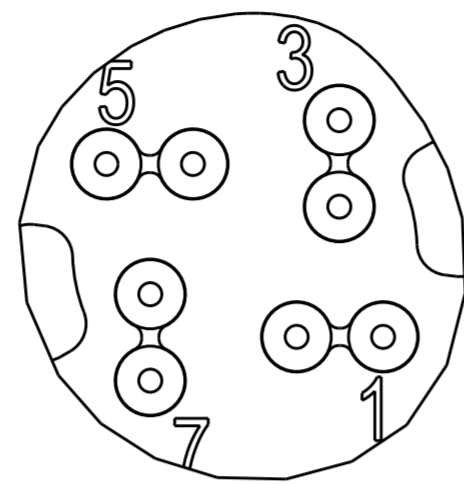


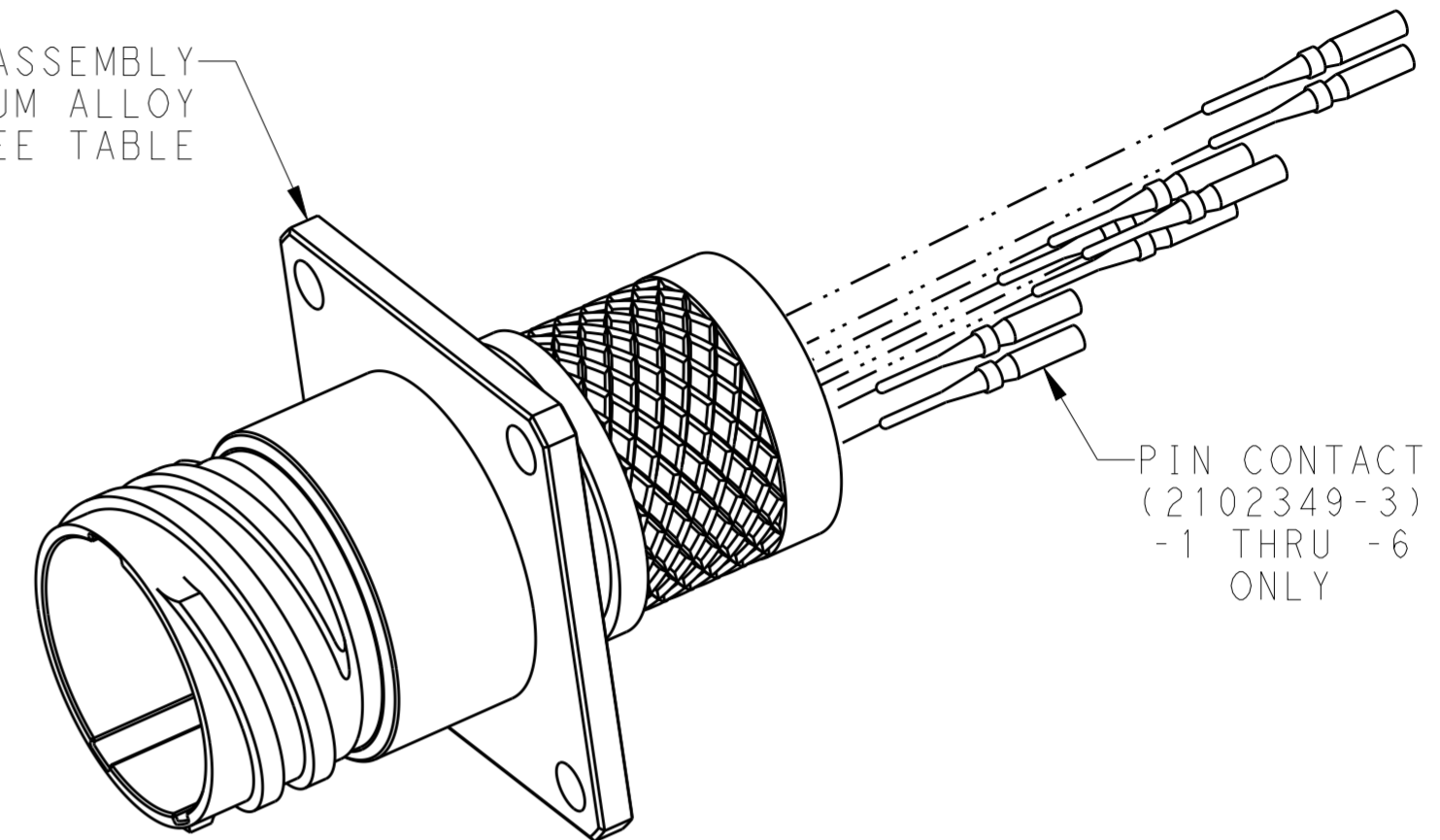
P	LTR	DESCRIPTION	DATE	DWN	APVD
E		REV PER ECO 20-012260	9-2-20	CT	DM

KEY OPTION	KEY ROTATION	
	"R"	"S"
NORMAL	150°	210°
A	140°	215°
B	132°	248°

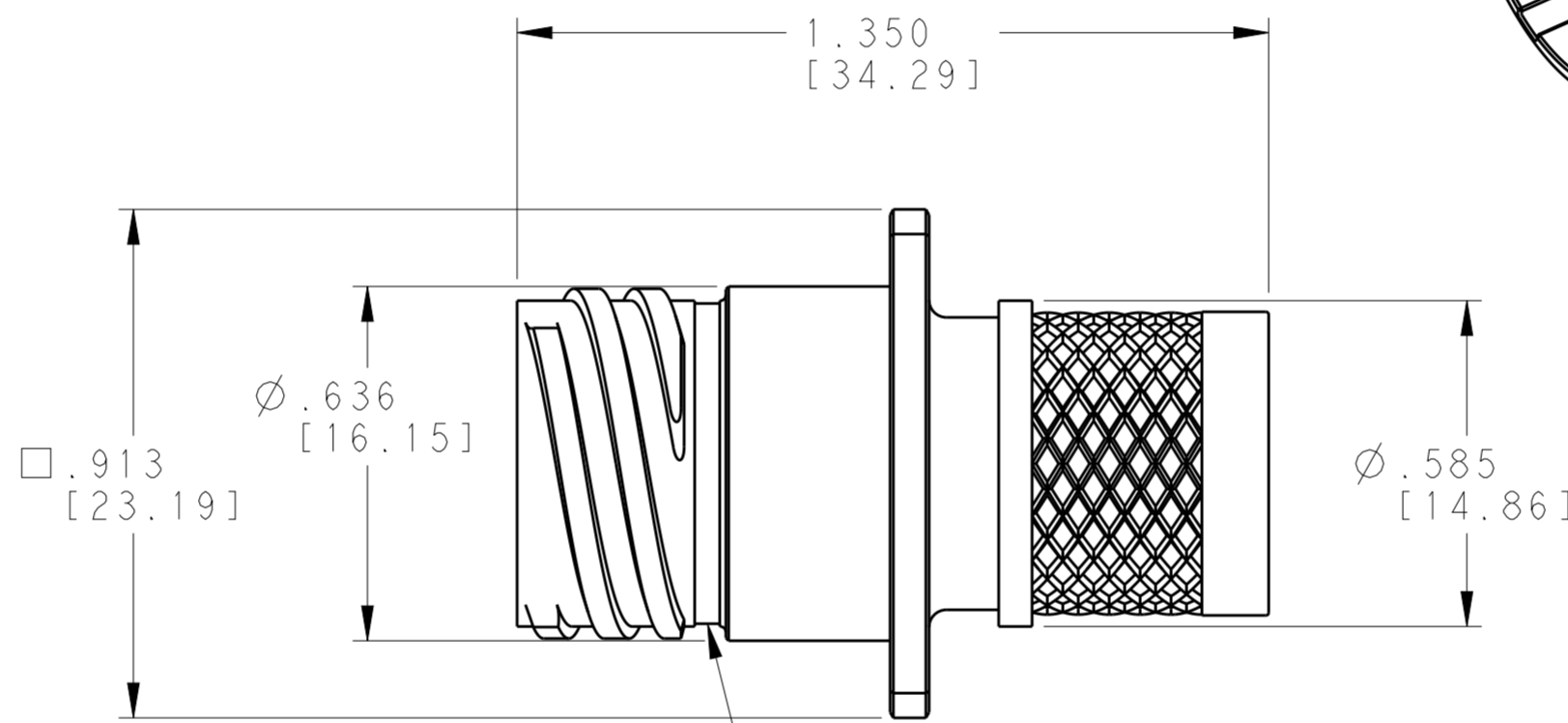
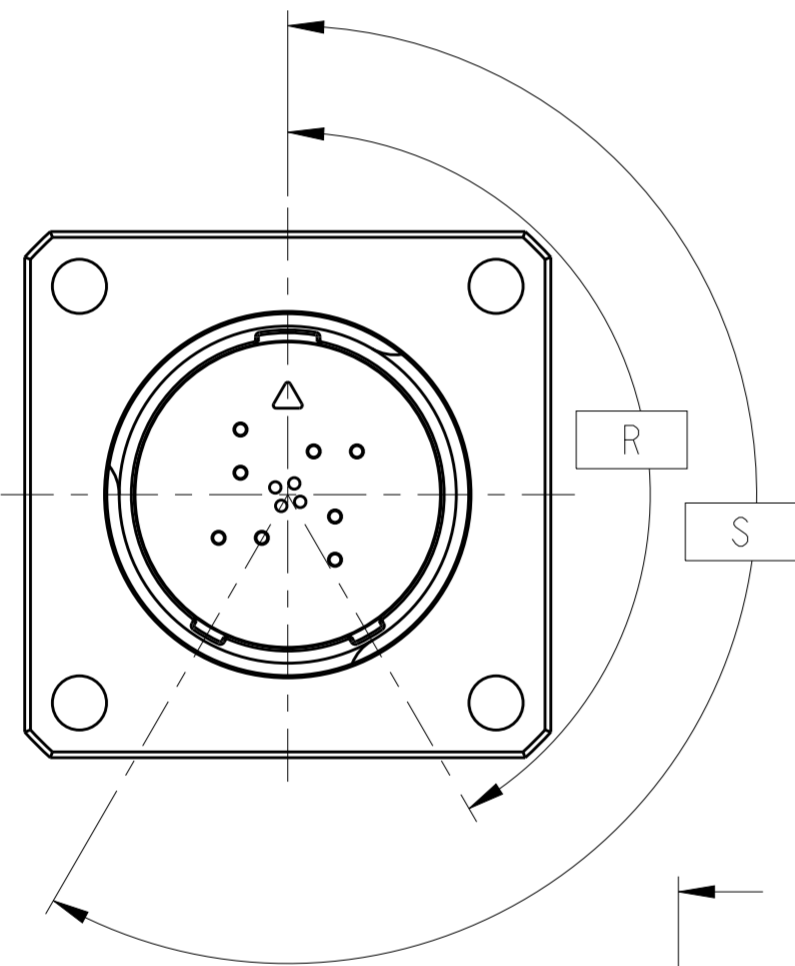


DETAIL A
SCALE 6:1

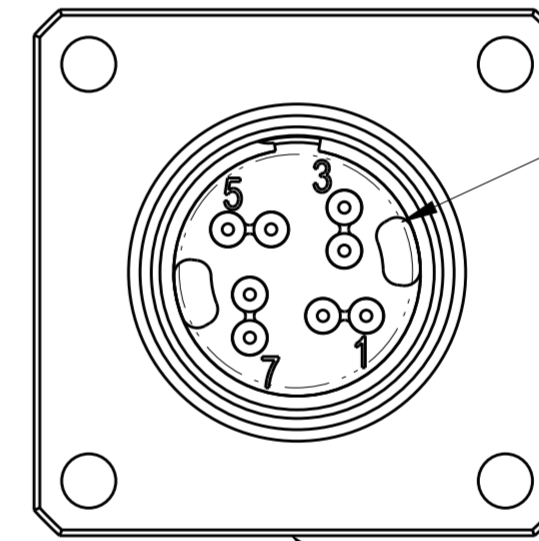
RECEPTACLE ASSEMBLY
SHELL MAT'L: ALUMINUM ALLOY
FINISH: SEE TABLE



PIN CONTACT
(2102349-3)
-1 THRU -6
ONLY

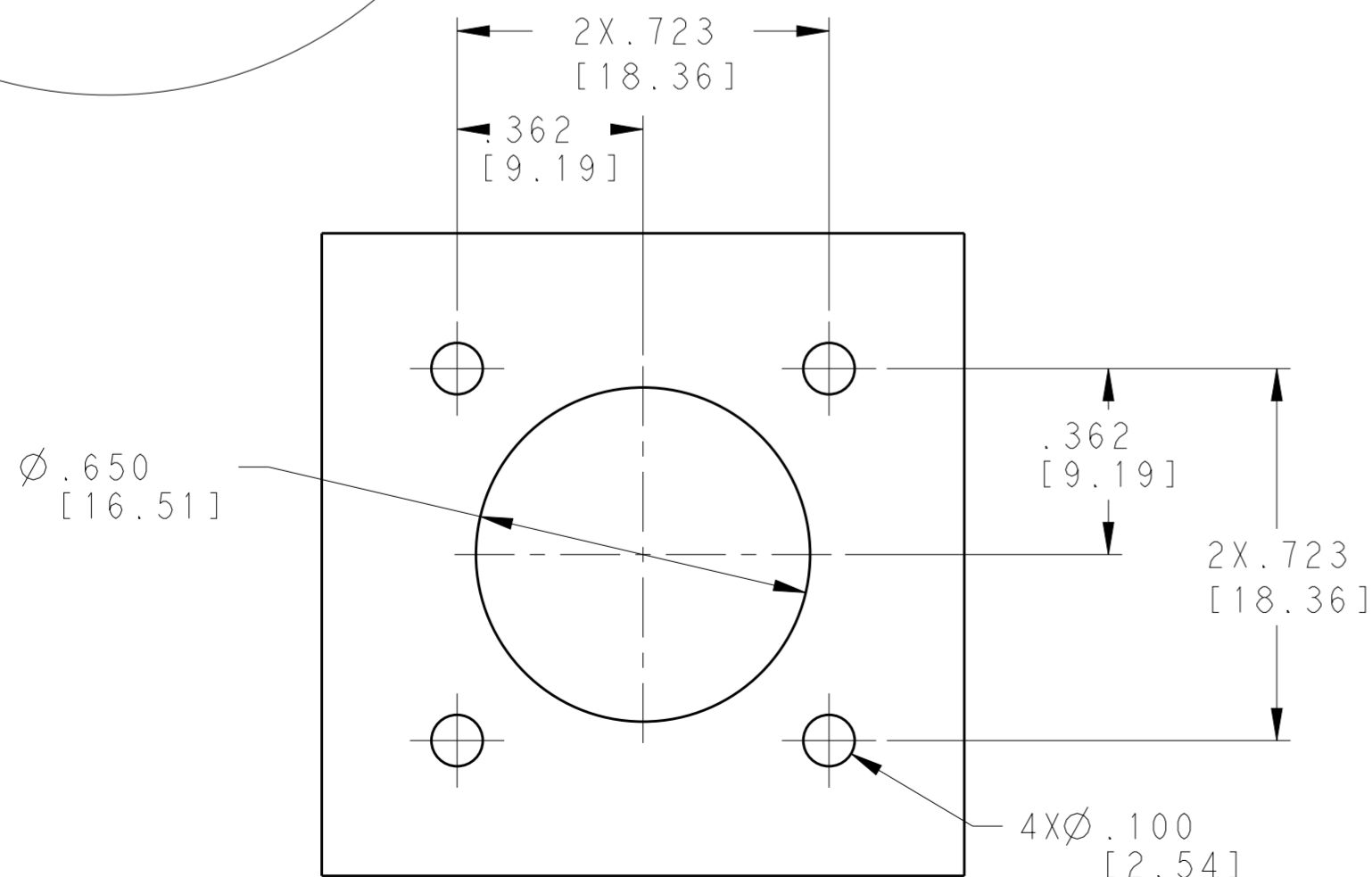


RED FULL MATE INDICATOR



SEE DETAIL A

"TE" AND DATE CODE
ON 1 OF 4 SIDES
TE PN ON ADJACENT FLAT



---	NORMAL	BLACK ZINC NICKEL PLATE	2102343-8
---	NORMAL	NICKEL PLATE	2102343-7
10	B	BLACK ZINC NICKEL PLATE	2102343-6
10	B	NICKEL PLATE	2102343-5
10	A	BLACK ZINC NICKEL PLATE	2102343-4
10	A	NICKEL PLATE	2102343-3
10	NORMAL	BLACK ZINC NICKEL PLATE	2102343-2
10	NORMAL	NICKEL PLATE	2102343-1
PIN CONTACT QTY 50um GOLD PLATE	KEYING OPTION	FINISH	PART NUMBER

THIS DRAWING IS A CONTROLLED DOCUMENT. DIMENSIONING AND TOLERANCING PER ASME Y14.5M (ISO STANDARDS)		DWN MCKIBBEN, JOHN CHK DOWHOWER, KENNETH APVD DOWHOWER, KENNETH		
DIMENSIONS: INCHES [mm]		PRODUCT SPEC 108-2482		NAME RECEPTACLE ASSEMBLY KIT
TOLERANCES UNLESS OTHERWISE SPECIFIED: 0 PLC ± 1 PLC ± 2 PLC ± 3 PLC ±.005 [0.13] 4 PLC ± ANGLES ± FINISH SEE TABLE		APPLICATION SPEC 114-32025		RESTRICTED TO
MATERIAL		WEIGHT	SIZE A200779	DRAWING NO. C-2102343
CUSTOMER DRAWING		SCALE 3:1	SHEET 1 OF 1	REV E

X-ON Electronics

Largest Supplier of Electrical and Electronic Components

Click to view similar products for [Standard Circular Connector](#) category:

Click to view products by [TE Connectivity](#) manufacturer:

Other Similar products are found below :

[5M2530B10P](#) [600259N006](#) [600273N007](#) [6134-336-13149](#) [6134-337-11149](#) [6134-337-2390](#) [6134-341-17149](#) [6280-4SG-516](#) [6280-7SG-3DC](#)
[6290](#) [6291A](#) [66200A-10](#) [680-SMG](#) [681-PMG](#) [CXS3102A14S2P](#) [CXS3102A181S](#) [7251-5SG-300](#) [7271-6SG-300](#) [7282-3PG-300-CH3](#) [75-](#)
[474618-01S](#) [75-474618-04P](#) [75-474618-04S](#) [799539-000](#) [MI8-SE](#) [805-005-07NF11-19PC](#) [805-005-07NF15-7PA](#) [8280-4PG-516](#) [8280-7PG-](#)
[519](#) [8282-5PG-519](#) [836783-1](#) [MP-4102-25P-C](#) [862256-1](#) [864019-2](#) [866857-1](#) [867865-1](#) [PT01SP-14-18P](#) [PT08P-14-5S](#) [PTSF06SE-14-12S](#)
[120-1833-000](#) [QCM019PC2DC012B](#) [1-2069279-1](#) [121583-0217](#) [121667-0020](#) [129591AU](#) [1000B BULK](#) [RD10A16-19-P6CS051/1](#)
[RD10A20-31-P8CS051/1](#) [RD16A14-12-S6CS051/2](#) [1301240290](#) [1301240347](#) [1301860202](#)