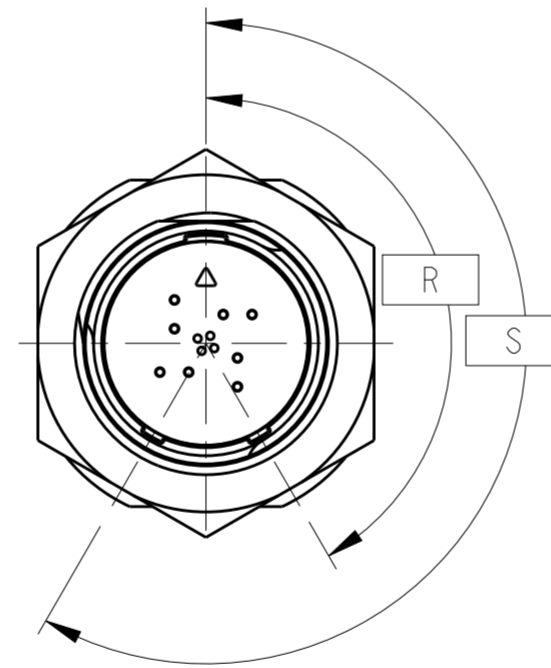
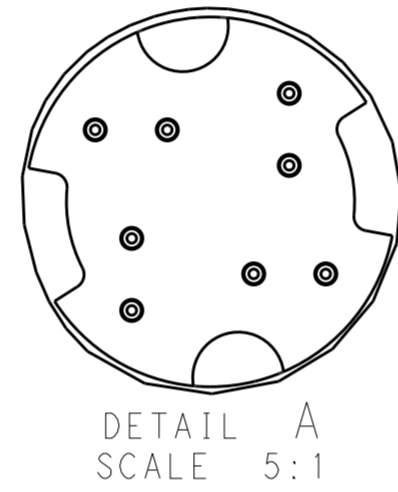
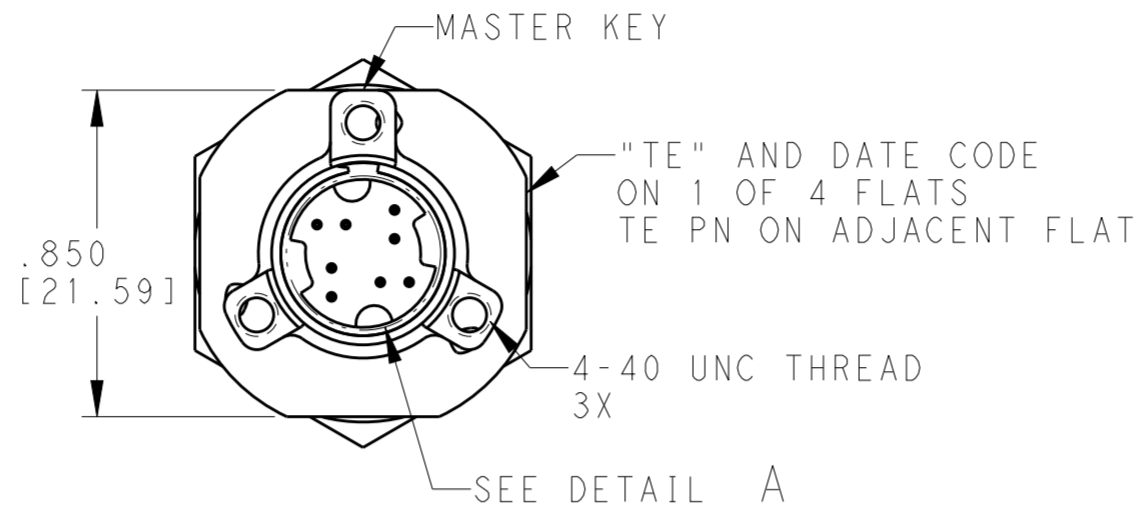
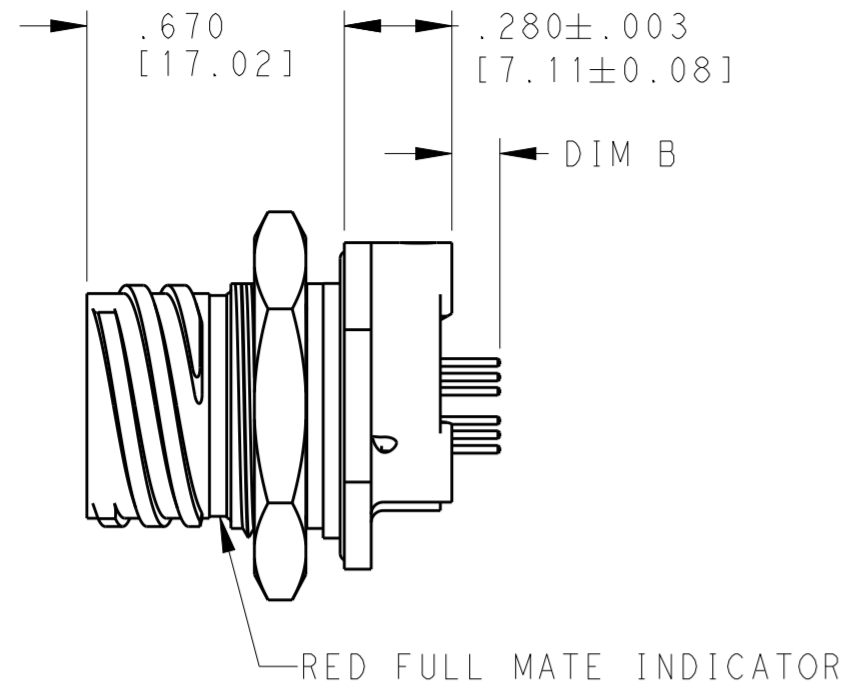
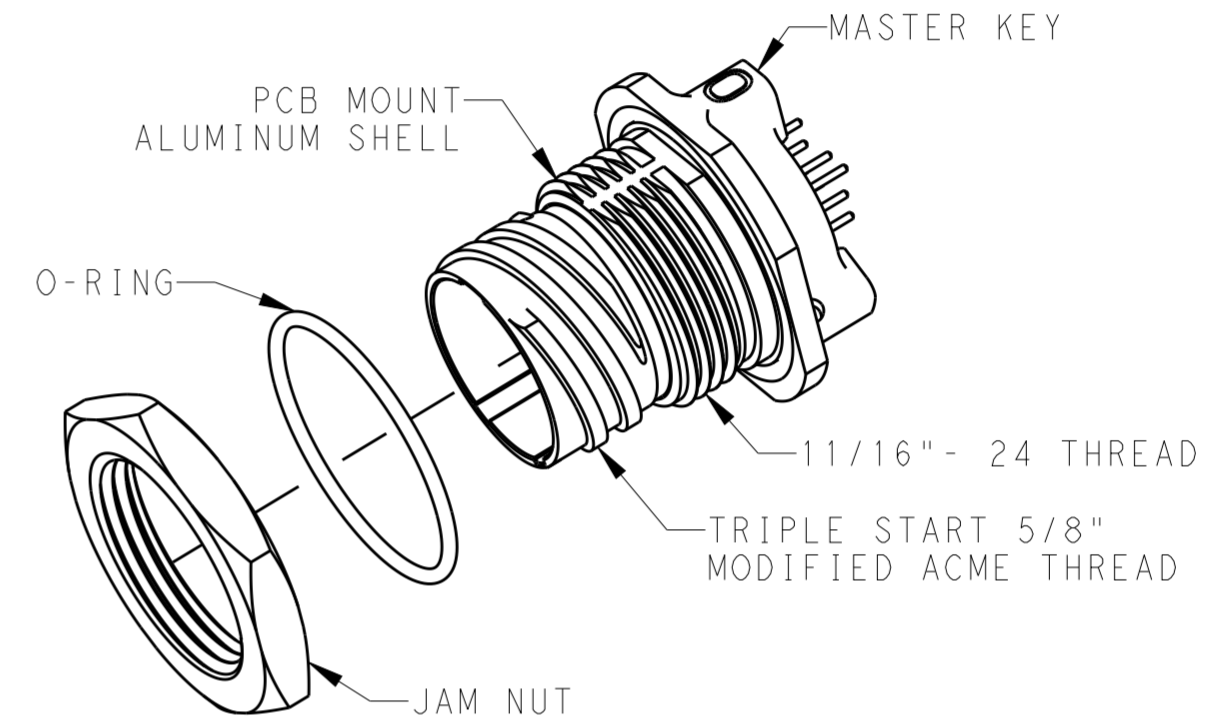


THIS DRAWING IS UNPUBLISHED. RELEASED FOR PUBLICATION  
 © COPYRIGHT - BY - ALL RIGHTS RESERVED.

REVISIONS				
P	LTR	DESCRIPTION	DATE	APVD
6		REV PER ECO-18-006382	10MAY2016	EG DM



KEY OPTIONS	KEY ROTATION	
	"R"	"S"
NORMAL	150°	210°
A	140°	215°
B	132°	248°



.288 [7.31]	4	A	2	1-2102351-4
.288 [7.31]	4	NORMAL	2	1-2102351-3
.125 [3.18]	3	B	2	2102351-6
.125 [3.18]	3	B	1	2102351-5
.125 [3.18]	3	A	2	2102351-4
.125 [3.18]	3	A	1	2102351-3
.125 [3.18]	3	NORMAL	2	2102351-2
.125 [3.18]	3	NORMAL	1	2102351-1
DIM B ±.010 [±0.25]	O-RING	KEYING OPTION	FINISH	PART NUMBER

- 1 FINISH: ELECTROLESS NICKEL PLATE PER MIL-C-26074.
- 2 FINISH: BLACK ZINC NICKEL PER AMS-2417.
- 3 MATERIAL: FLUROSILICONE
- 4 MATERIAL: CONDUCTIVE FLOUROSILICONE.

THIS DRAWING IS A CONTROLLED DOCUMENT.

DWN MCKIBBEN, JOHN  
 CHK DOWHOWER, KENNETH  
 APVD DOWHOWER, KENNETH

STE TE Connectivity

PRODUCT SPEC 108-2482  
 APPLICATION SPEC 114-32025

NAME PCB MOUNT KIT

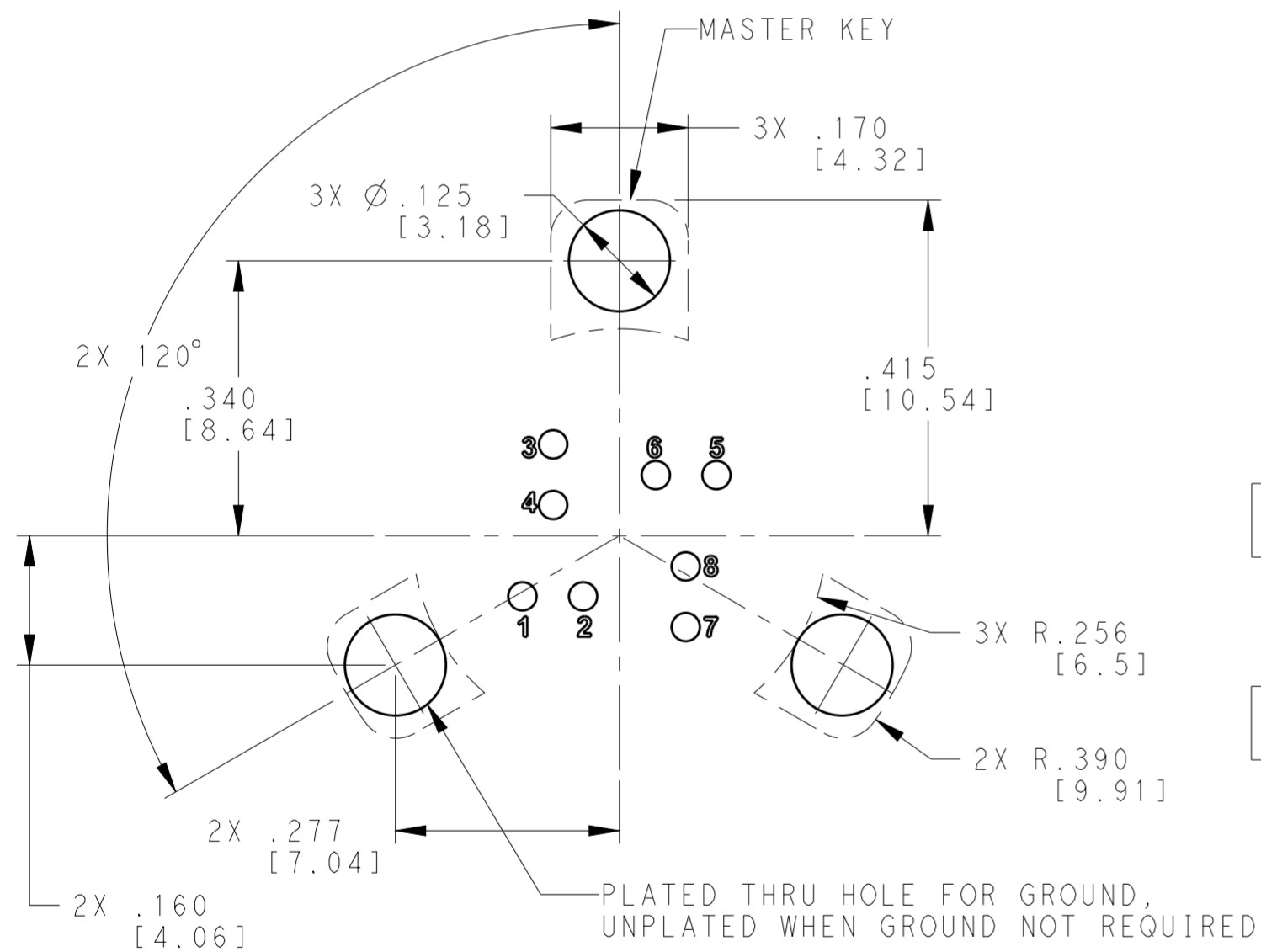
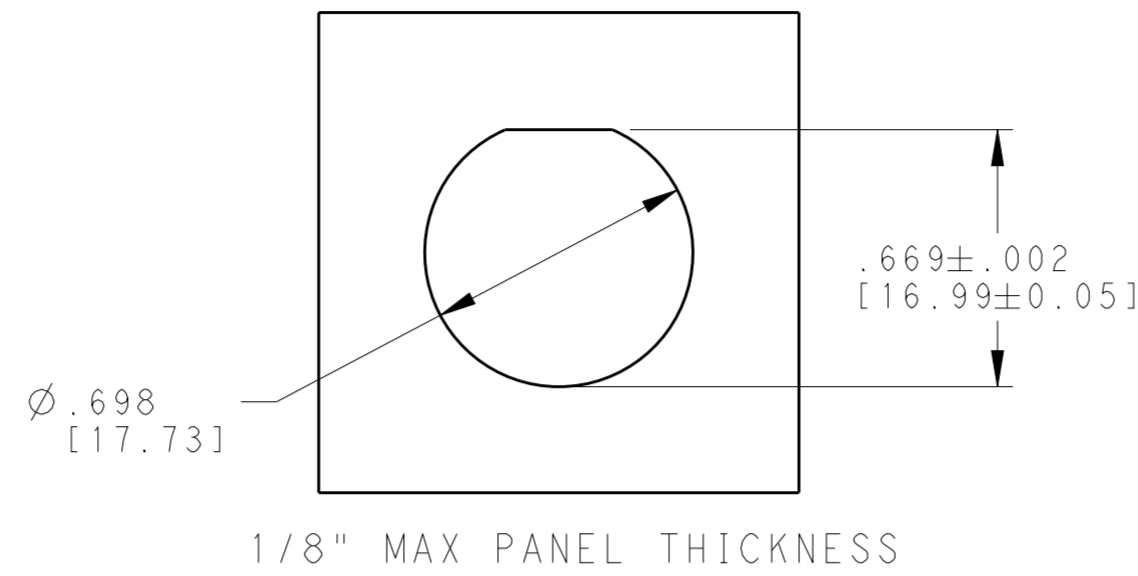
SIZE A2 CAGE CODE 00779 DRAWING NO C-2102351 RESTRICTED TO -

MATERIAL - DIMENSIONS: INCHES [mm] TOLERANCES UNLESS OTHERWISE SPECIFIED: 0 PLC ±, 1 PLC ±, 2 PLC ±, 3 PLC ±.005 [0.13], 4 PLC ±, ANGLES ±, FINISH -

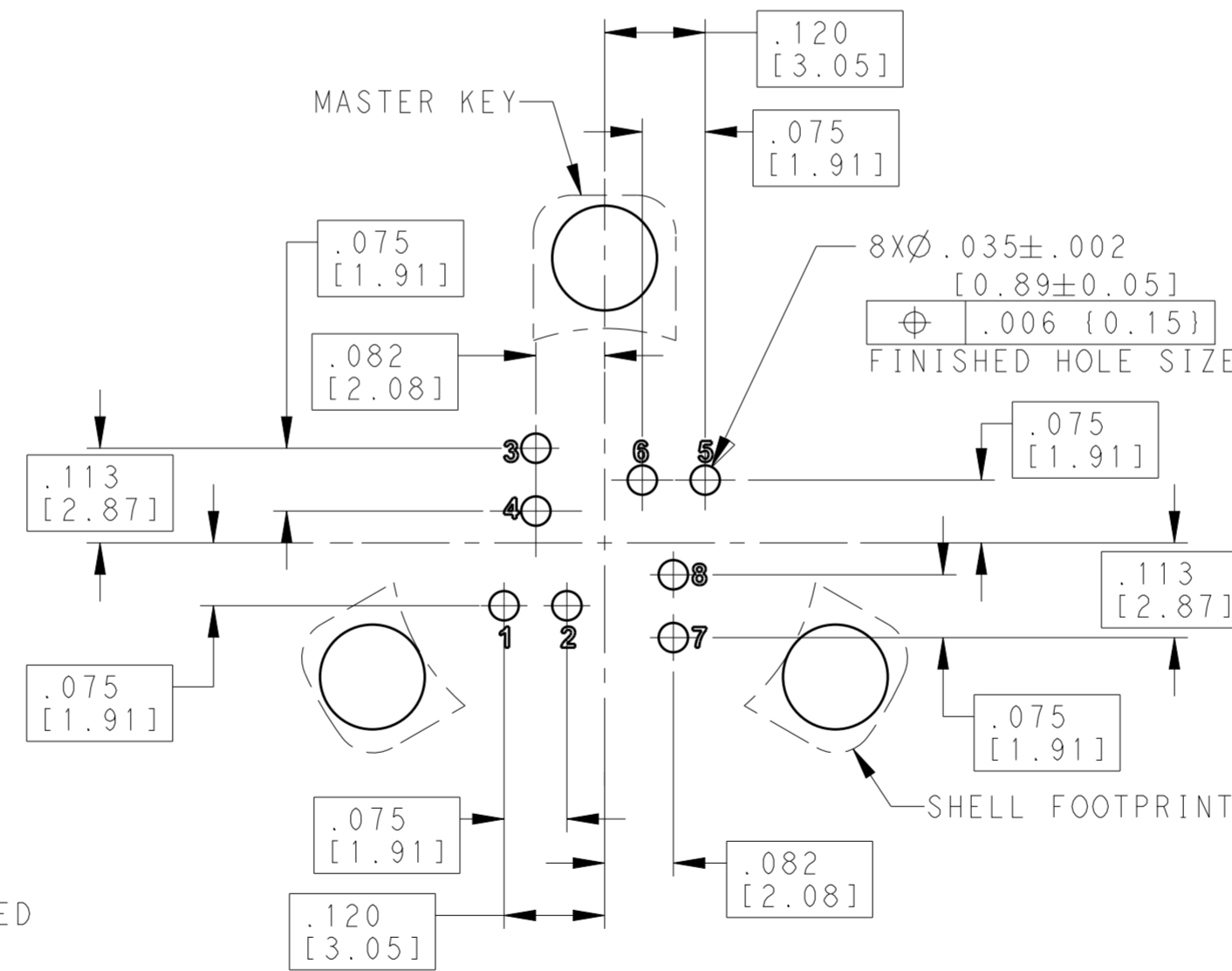
CUSTOMER DRAWING SCALE 2:1 SHEET 1 OF 2 REV G

THIS DRAWING IS UNPUBLISHED. RELEASED FOR PUBLICATION 20  
 © COPYRIGHT 20 BY - ALL RIGHTS RESERVED.

REVISIONS				
P	LTR	DESCRIPTION	DATE	APVD
-	-	SEE SHEET 1	-	-



MOUNTING HOLE INFORMATION  
 RECOMMENDED BOARD LAYOUT



PC BOARD TOP VIEW  
 SOLDER TAIL HOLE INFORMATION

THIS DRAWING IS A CONTROLLED DOCUMENT.		DWN MCKIBBEN, JOHN	TE Connectivity	
DIMENSIONS: INCHES [mm]		CHK DOWHOWER, KENNETH		
		APVD DOWHOWER, KENNETH	NAME PCB MOUNT KIT	
TOLERANCES UNLESS OTHERWISE SPECIFIED:		PRODUCT SPEC 108-2482	SIZE CAGE CODE DRAWING NO RESTRICTED TO	
0 PLC ±	1 PLC ±	APPLICATION SPEC 114-32025	A200779 C-2102351	
2 PLC ±	3 PLC ± .005 [0.13]	WEIGHT -	SCALE 5:1 SHEET 2 OF 2 REV G	
4 PLC ±	ANGLES ±	CUSTOMER DRAWING		
MATERIAL -	FINISH -			

## X-ON Electronics

Largest Supplier of Electrical and Electronic Components

*Click to view similar products for [Modular Connectors / Ethernet Connectors](#) category:*

*Click to view products by [TE Connectivity](#) manufacturer:*

Other Similar products are found below :

[8949-H88/06BLKA/SN](#) [74441-0010/BKN](#) [MP1010RX-1000](#) [MP44RX-1000](#) [PHJ-4P4C-1-V-4](#) [PHP-6P6C-5](#) [GAX-3-66](#) [GAX-8-62](#) [GDCX-PA-66-50](#) [GDCX-PN-64](#) [GDCX-PN-66](#) [GDCX-PN-66-50](#) [GDLX-A-66](#) [GDLX-N-66](#) [GDLX-S-66](#) [GDLX-S-88K](#) [GDTX-S-88-50](#) [GDX-PA-1010](#) [GLX-N-1010M-BLK](#) [GLX-S-88M-BLK](#) [GMX-N-1010](#) [GMX-S-1010](#) [GMX-S-66](#) [GMX-SMT4-N-88](#) [GPX-2-64](#) [GSGX-N-2-88](#) [GSGX-N-4-88](#) [GSX-NS2-88-3.05](#) [GSX-NS2-88-3.05-50](#) [GSX-NS-88-3.05-50](#) [PT-108A-8C-UL](#) [PT-J951-8C](#) [PTS-J531-8CS-50UL](#) [1-1775629-2](#) [A-2014-0-4](#) [GWLX-S-88-GR](#) [GWLX-S9-88-YG](#) [DC-1021-8-WH-6](#) [1300530003](#) [1324640-4](#) [RJ11FTVC2G](#) [RJ11FTVC2N](#) [RJFTVX2SA1G](#) [132764-001](#) [1413235](#) [MP88X-1000](#) [MPS88RX-5000](#) [E5288-S000K3-L](#) [E5908-15A242-L](#) [155302-001](#)