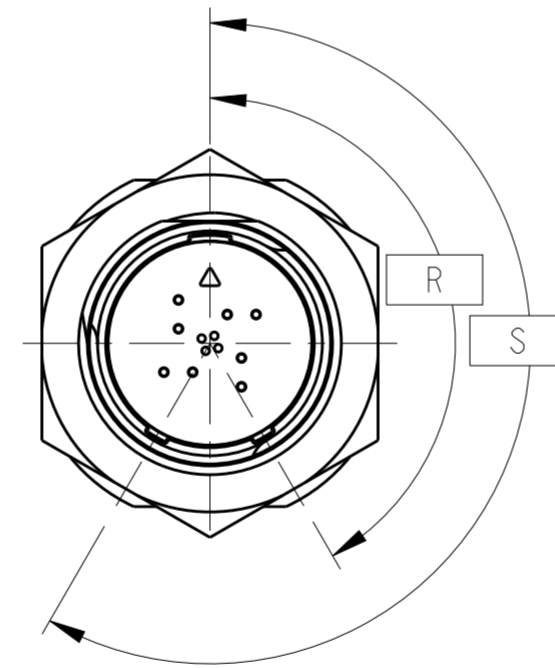
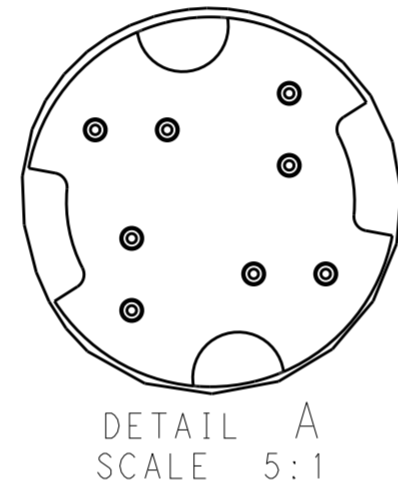
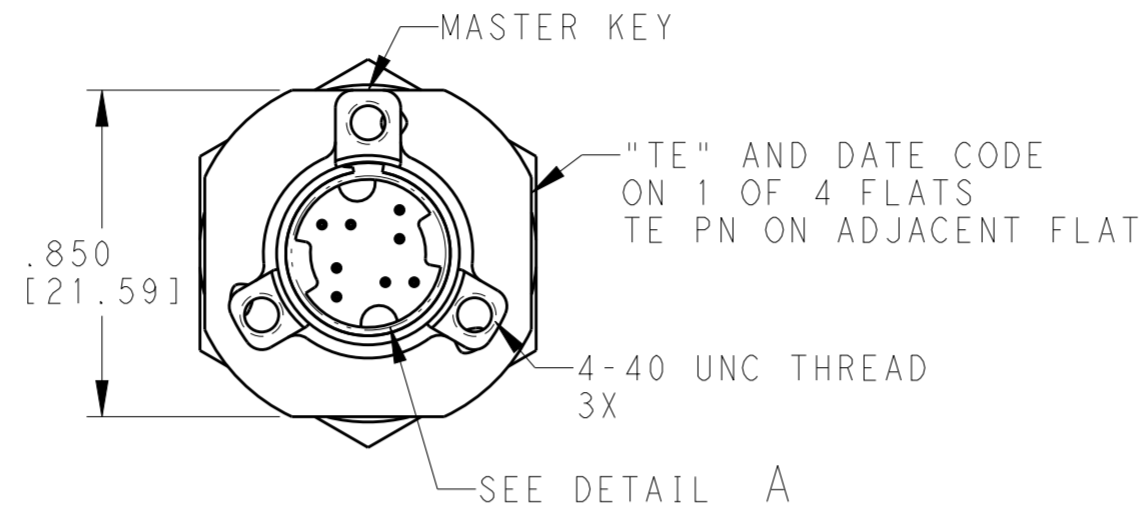
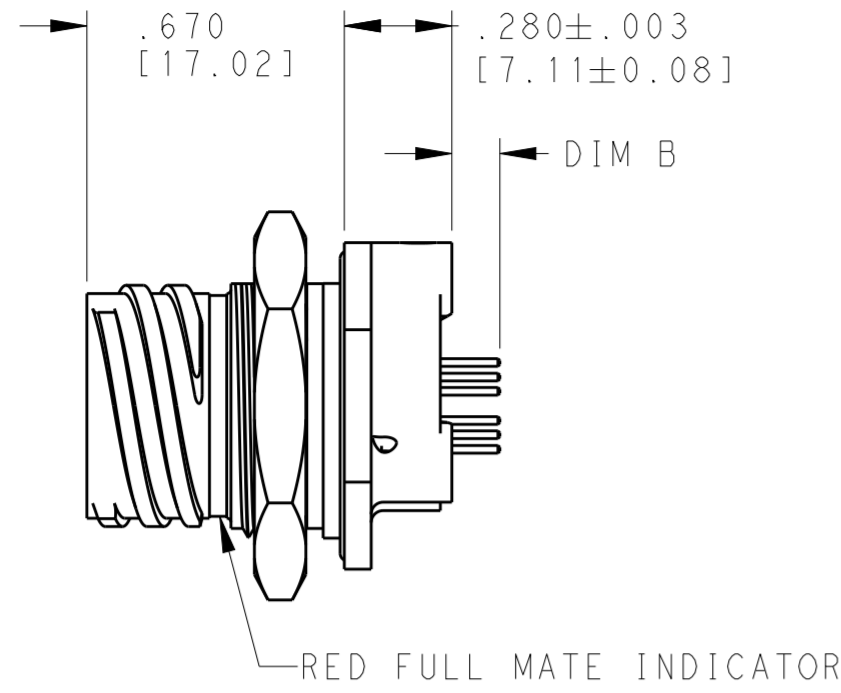
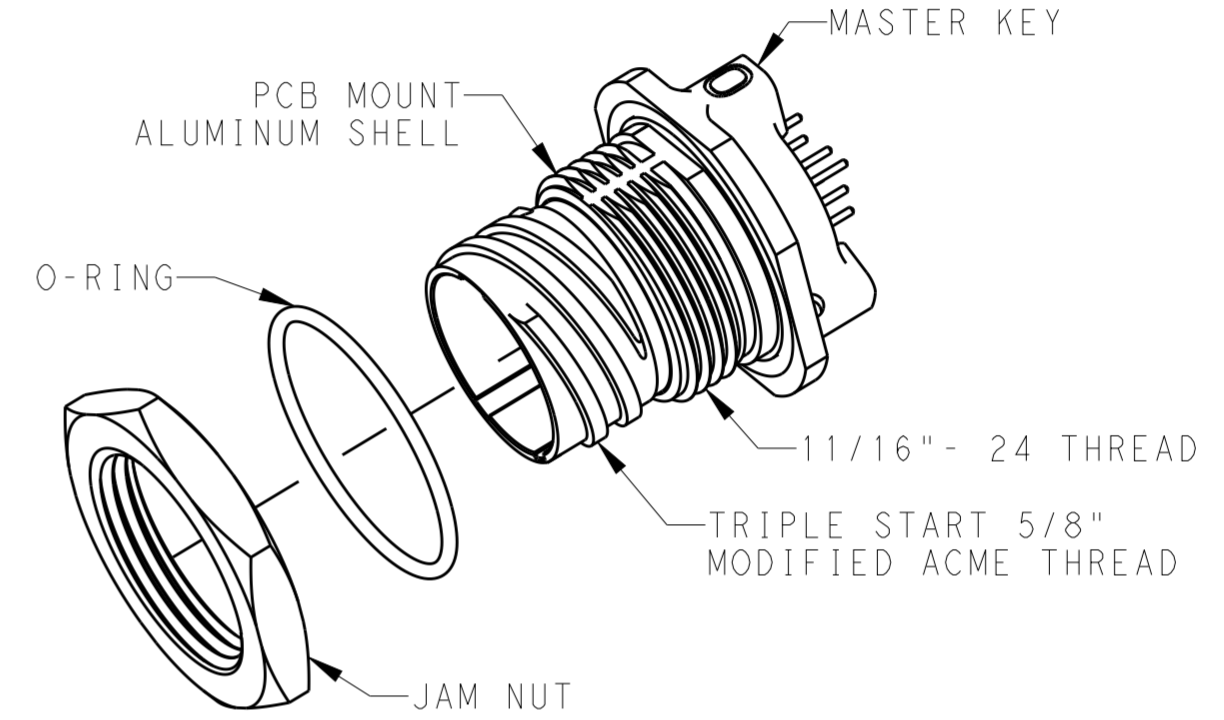


THIS DRAWING IS UNPUBLISHED. RELEASED FOR PUBLICATION
 © COPYRIGHT - BY - ALL RIGHTS RESERVED.

REVISIONS				
P	LTR	DESCRIPTION	DATE	APVD
6		REV PER ECO-16-006382	10MAY2016	EG DM



KEY OPTIONS	KEY ROTATION	
	"R"	"S"
NORMAL	150°	210°
A	140°	215°
B	132°	248°



.288 [7.31]	4	A	2	1-2102351-4
.288 [7.31]	4	NORMAL	2	1-2102351-3
.125 [3.18]	3	B	2	2102351-6
.125 [3.18]	3	B	1	2102351-5
.125 [3.18]	3	A	2	2102351-4
.125 [3.18]	3	A	1	2102351-3
.125 [3.18]	3	NORMAL	2	2102351-2
.125 [3.18]	3	NORMAL	1	2102351-1
DIM B ±.010 [±0.25]	O-RING	KEYING OPTION	FINISH	PART NUMBER

- 1 FINISH: ELECTROLESS NICKEL PLATE PER MIL-C-26074.
- 2 FINISH: BLACK ZINC NICKEL PER AMS-2417.
- 3 MATERIAL: FLUROSILICONE
- 4 MATERIAL: CONDUCTIVE FLOUROSILICONE.

THIS DRAWING IS A CONTROLLED DOCUMENT.

DWN MCKIBBEN, JOHN
 CHK DOWHOWER, KENNETH
 APVD DOWHOWER, KENNETH

040C12011
 040C12011
 040C12011

STE TE Connectivity

NAME PCB MOUNT KIT

PRODUCT SPEC 108-2482
 APPLICATION SPEC 114-32025

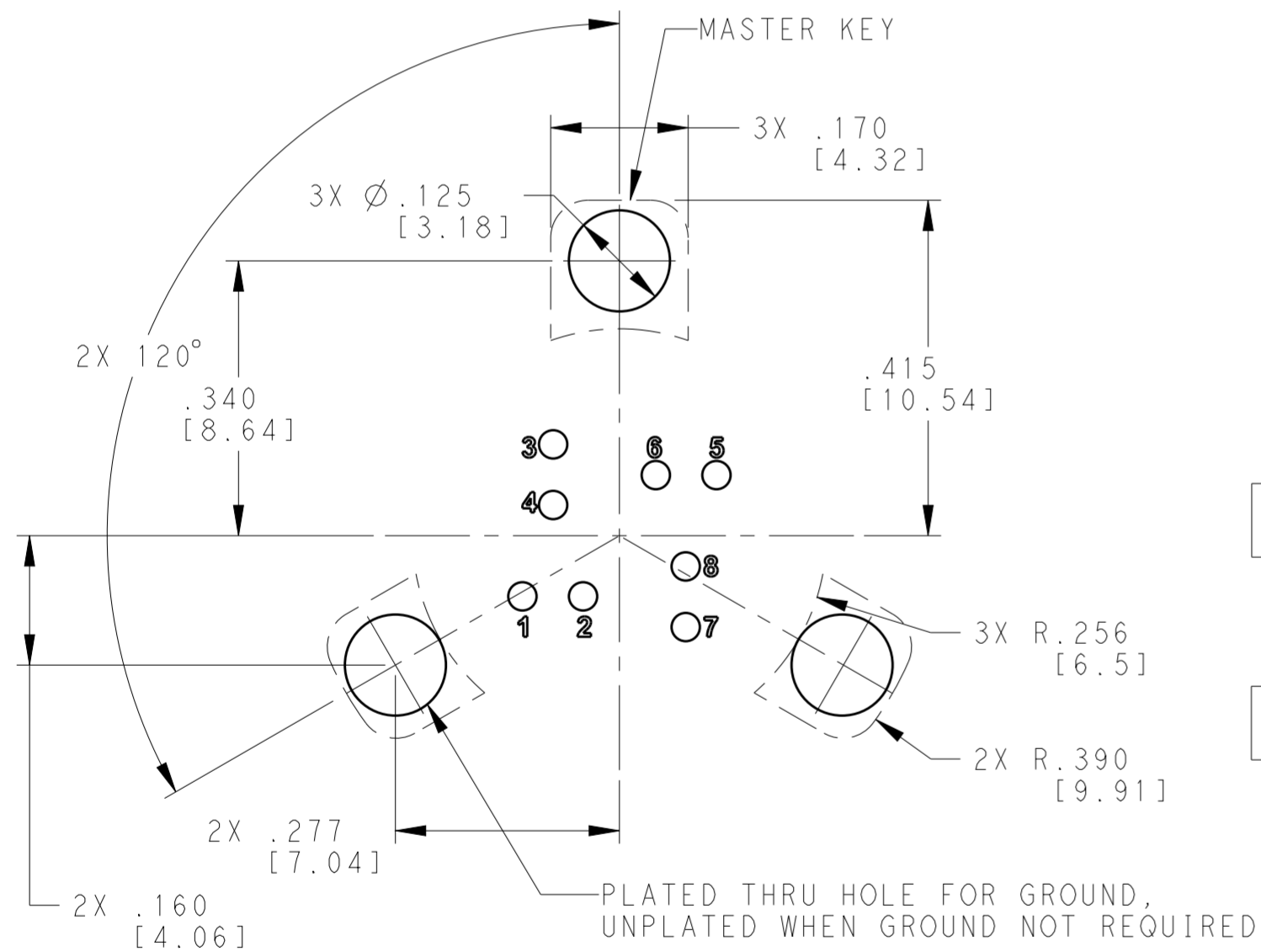
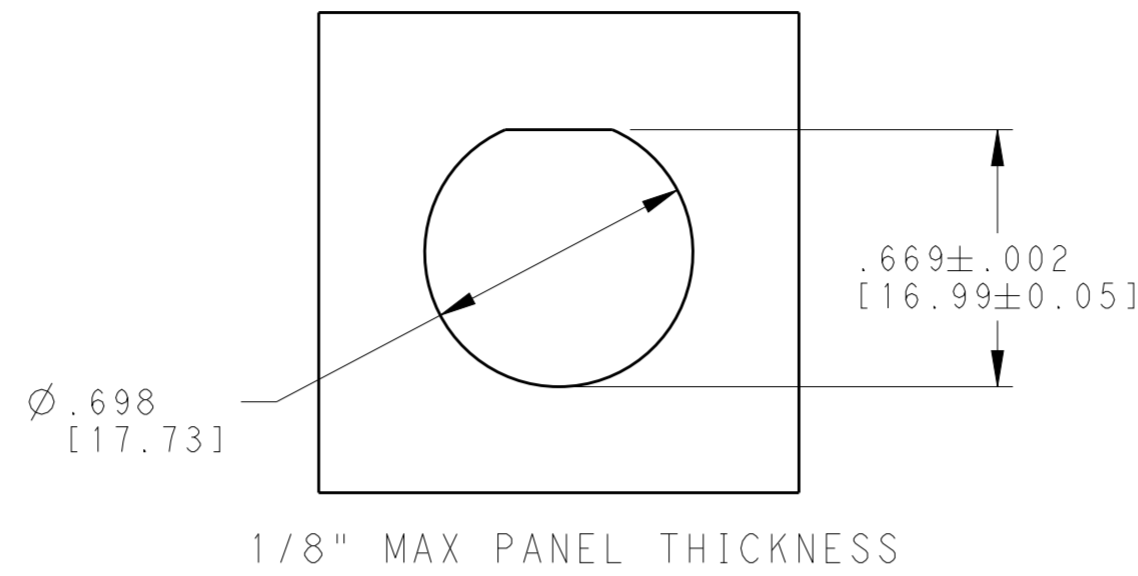
MATERIAL -
 DIMENSIONS: INCHES [mm]
 TOLERANCES UNLESS OTHERWISE SPECIFIED:
 0 PLC ±
 1 PLC ±
 2 PLC ±
 3 PLC ±.005 [0.13]
 4 PLC ±
 ANGLES ±
 FINISH -

SIZE A200779
 CAGE CODE C-2102351
 DRAWING NO G-2102351
 RESTRICTED TO -

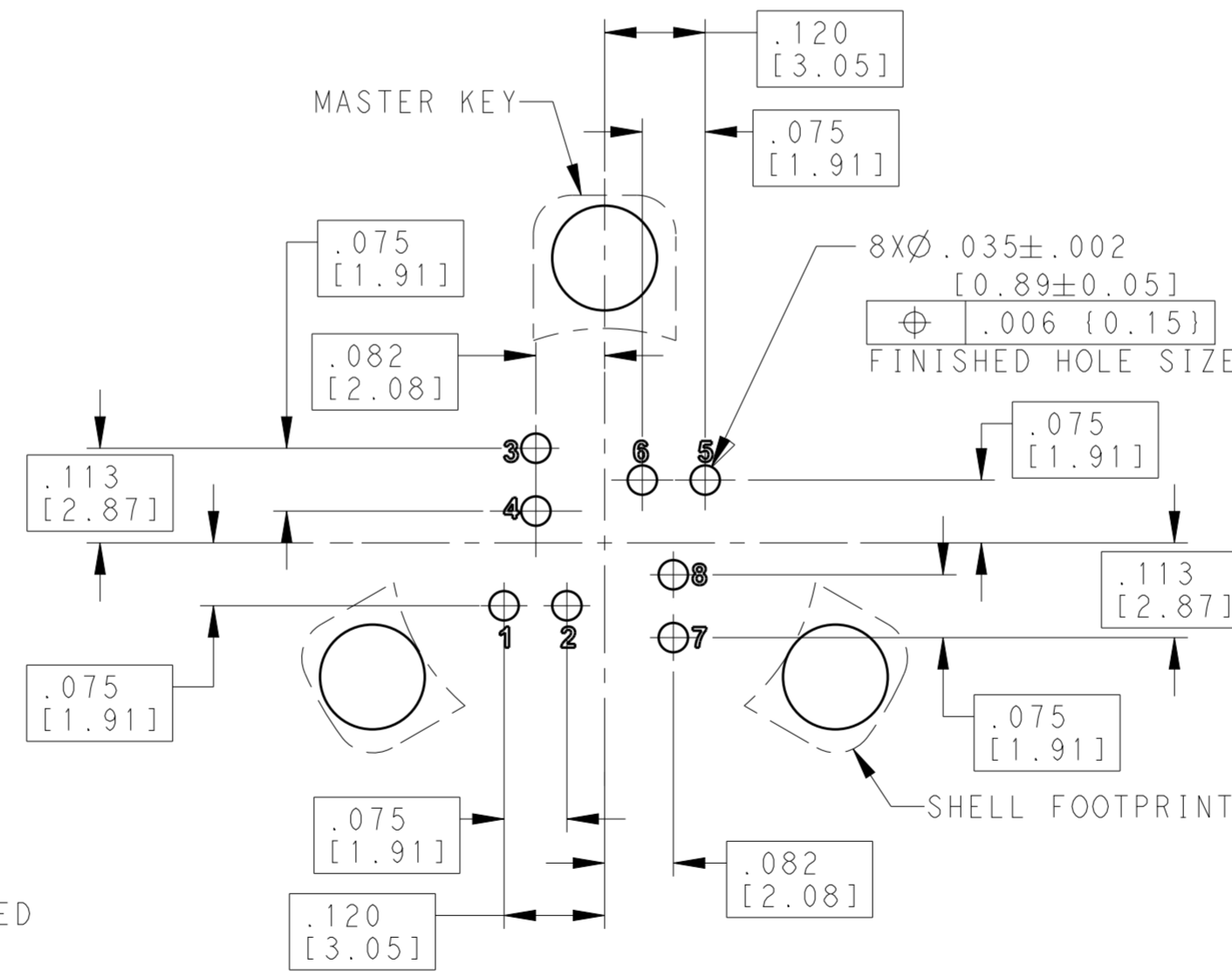
CUSTOMER DRAWING SCALE 2:1 SHEET 1 OF 2 REV G

THIS DRAWING IS UNPUBLISHED. RELEASED FOR PUBLICATION 20
 © COPYRIGHT 20 BY - ALL RIGHTS RESERVED.

REVISIONS				
P	LTR	DESCRIPTION	DATE	APVD
-	-	SEE SHEET 1	-	-



MOUNTING HOLE INFORMATION
 RECOMMENDED BOARD LAYOUT



PC BOARD TOP VIEW
 SOLDER TAIL HOLE INFORMATION

THIS DRAWING IS A CONTROLLED DOCUMENT.		DWN MCKIBBEN, JOHN	TE Connectivity	
DIMENSIONS: INCHES [mm]		CHK DOWHOWER, KENNETH		
TOLERANCES UNLESS OTHERWISE SPECIFIED:		APVD DOWHOWER, KENNETH	NAME PCB MOUNT KIT	
0 PLC ±	1 PLC ±	PRODUCT SPEC 108-2482	SIZE A200779	CAGE CODE G-2102351
2 PLC ±	3 PLC ±.005 [0.13]	APPLICATION SPEC 114-32025	DRAWING NO	RESTRICTED TO
4 PLC ±	ANGLES ±	WEIGHT -	SCALE 5:1	SHEET 2 OF 2
MATERIAL -	FINISH -	CUSTOMER DRAWING	REV G	

X-ON Electronics

Largest Supplier of Electrical and Electronic Components

Click to view similar products for [Standard Circular Connector](#) category:

Click to view products by [TE Connectivity](#) manufacturer:

Other Similar products are found below :

[5M2530B10P](#) [600259N006](#) [600273N007](#) [6134-336-13149](#) [6134-337-11149](#) [6134-337-2390](#) [6134-341-17149](#) [6280-4SG-516](#) [6280-7SG-3DC](#)
[6290](#) [6291A](#) [66200A-10](#) [680-SMG](#) [681-PMG](#) [CXS3102A14S2P](#) [CXS3102A181S](#) [7251-5SG-300](#) [7271-6SG-300](#) [7282-3PG-300-CH3](#) [75-](#)
[474618-01S](#) [75-474618-04P](#) [75-474618-04S](#) [799539-000](#) [MI8-SE](#) [805-005-07NF11-19PC](#) [805-005-07NF15-7PA](#) [8280-4PG-516](#) [8280-7PG-](#)
[519](#) [8282-5PG-519](#) [836783-1](#) [MP-4102-25P-C](#) [862256-1](#) [864019-2](#) [866857-1](#) [867865-1](#) [PT01SP-14-18P](#) [PT08P-14-5S](#) [PTSF06SE-14-12S](#)
[120-1833-000](#) [QCM019PC2DC012B](#) [1-2069279-1](#) [121583-0217](#) [121667-0020](#) [129591AU](#) [1000B BULK](#) [RD10A16-19-P6CS051/1](#)
[RD10A20-31-P8CS051/1](#) [RD16A14-12-S6CS051/2](#) [1301240290](#) [1301240347](#) [1301860202](#)