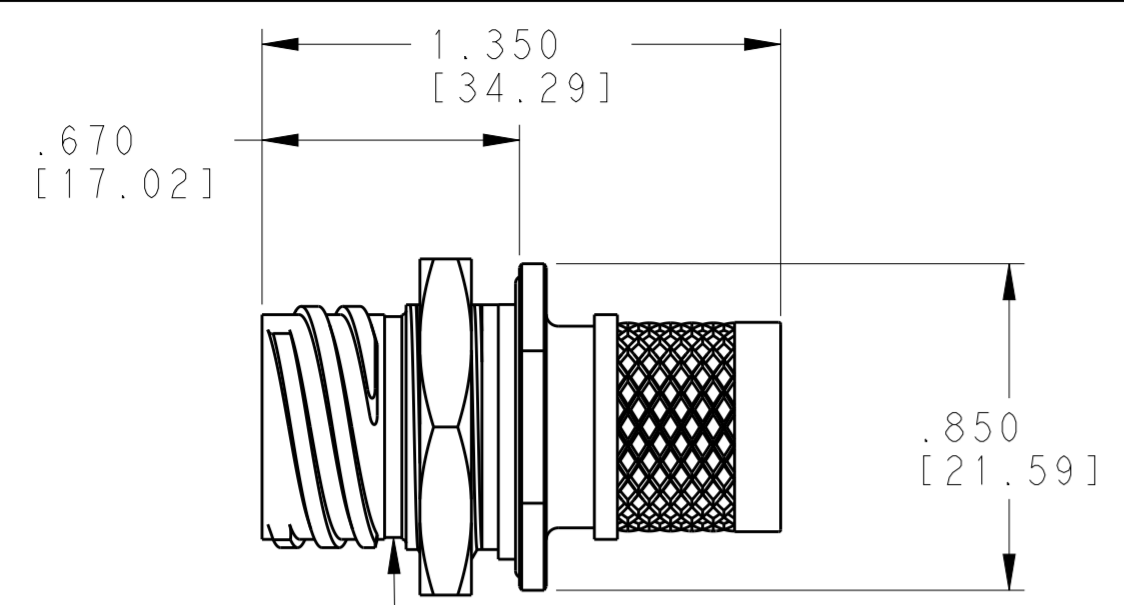
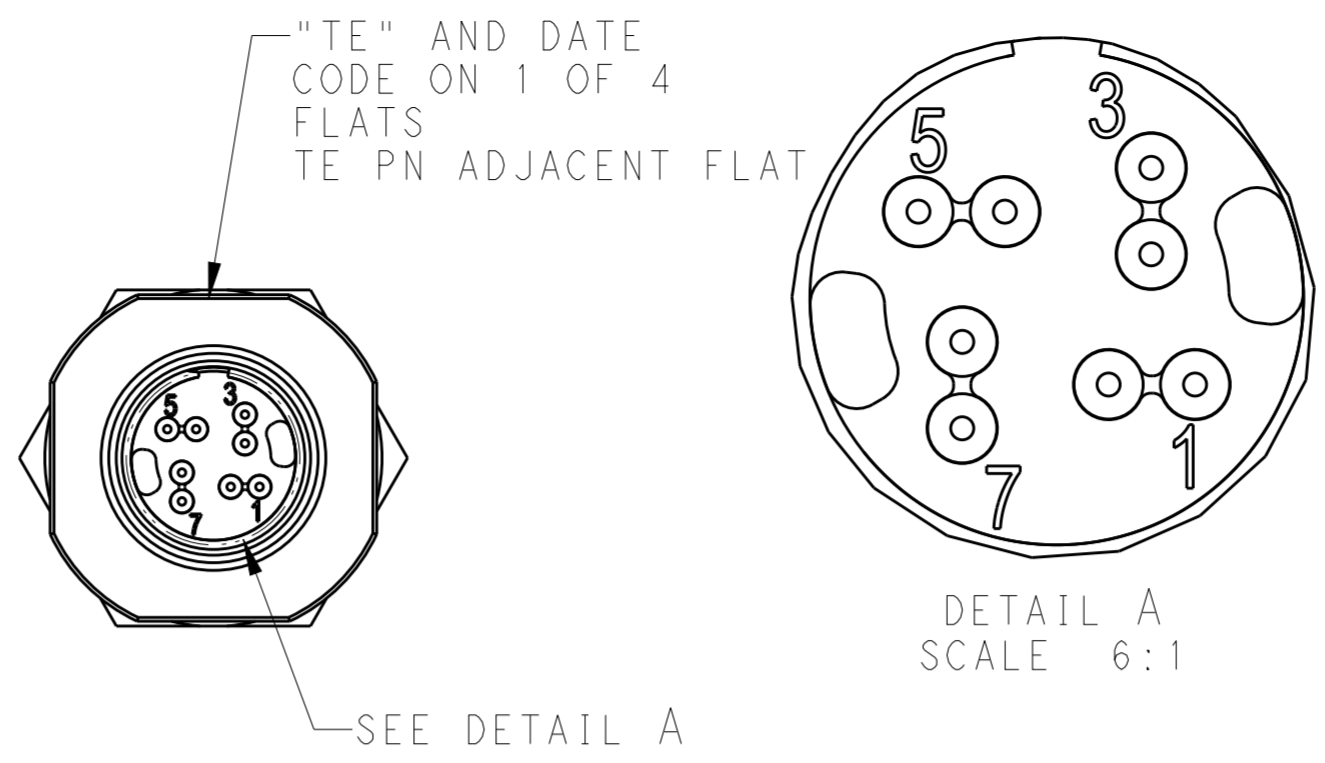


THIS DRAWING IS UNPUBLISHED. RELEASED FOR PUBLICATION
 © COPYRIGHT - BY - ALL RIGHTS RESERVED.

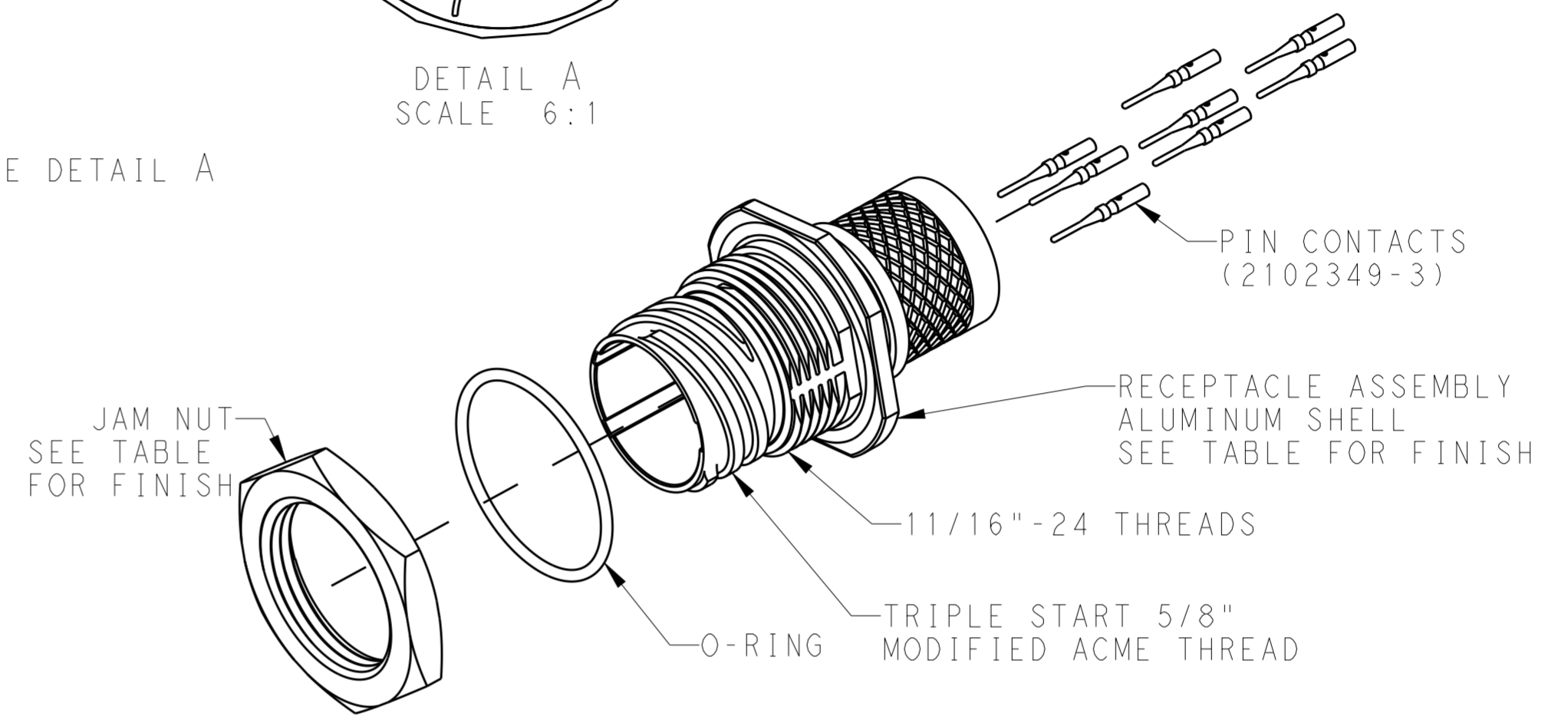
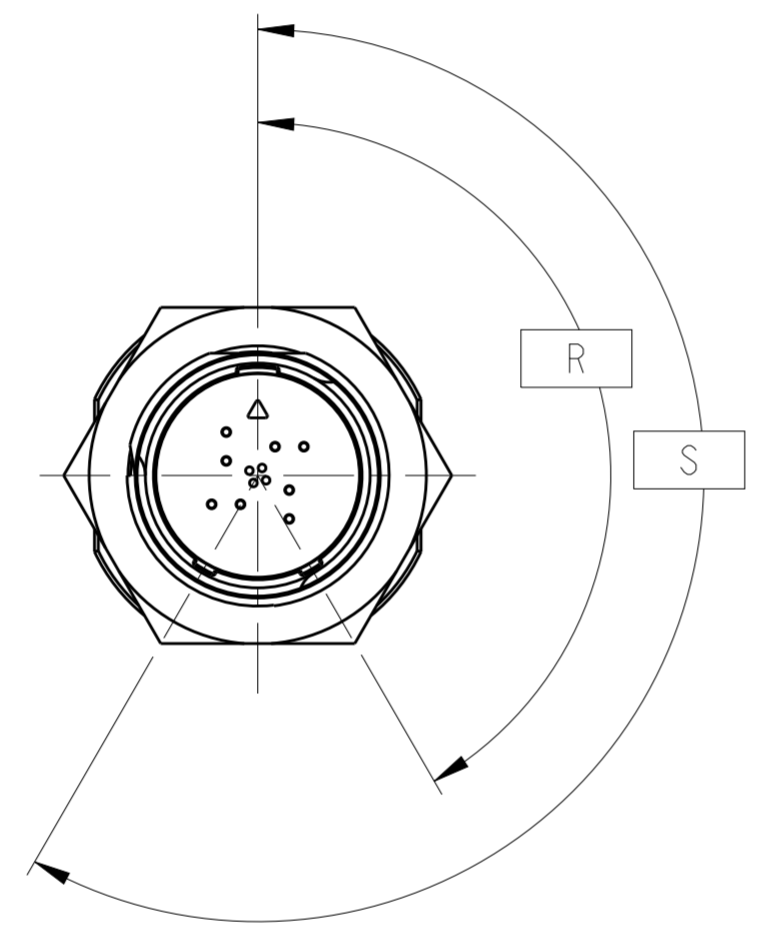
LOC		DIST		REVISIONS			
P	LTR	DESCRIPTION	DATE	DWN	APVD		
B		REV PER ECO 13-001557	2-12-13	CT	DM		
C		REVISED PER ECO-15-013009	03DEC15	RS	CT		



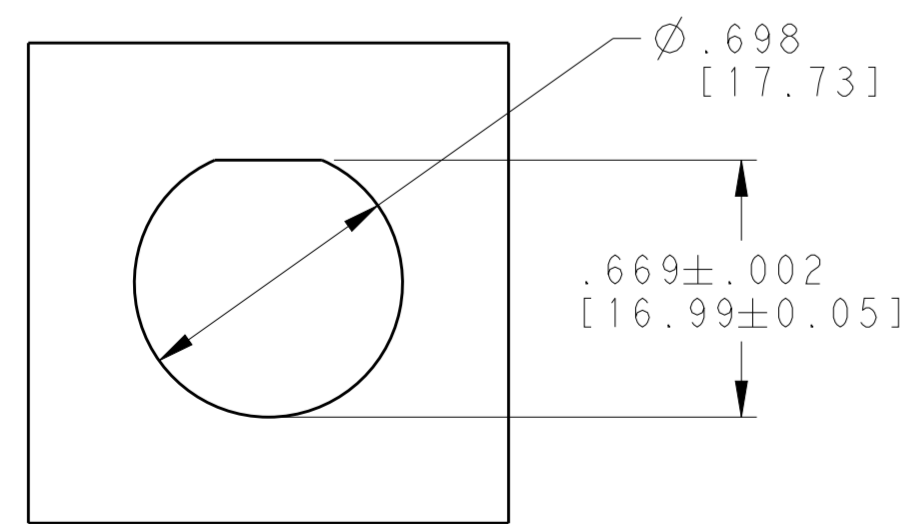
RED FULL MATE INDICATOR



KEY OPTION	KEY ROTATION	
	"R"	"S"
NORMAL	150°	210°
A	140°	215°
B	132°	248°



- 1, -3 AND -5 ARE ELECTROLESS NICKEL PLATE PER MIL-C-26074.
- 2, -4 AND -6 ARE BLACK ZINC NICKEL PER AMS-2417.
- O-RING AND NUT ARE ASSEMBLED TO SHELL. CONTACTS SHALL BE PACKAGED SEPARATELY IN KIT.



1/8" MAX PANEL THICKNESS

1	-	1	10	B	BLACK ZINC NICKEL PLATE	2102352-6
-	1	1	10	B	NICKEL PLATE	2102352-5
1	-	1	10	A	BLACK ZINC NICKEL PLATE	2102352-4
-	1	1	10	A	NICKEL PLATE	2102352-3
1	-	1	10	NORMAL	BLACK ZINC NICKEL PLATE	2102352-2
-	1	1	10	NORMAL	NICKEL PLATE	2102352-1
JAM NUT BLACK ZINC NICKEL PLATE	JAM NUT NICKEL PLATE	O-RING FLUOROSILICONE	PIN CONTACT 50μ GOLD PLATE	KEYING OPTION	FINISH	PART NUMBER

THIS DRAWING IS A CONTROLLED DOCUMENT. DIMENSIONING AND TOLERANCING PER ASME Y14.5M (ISO STANDARDS)

DIMENSIONS: INCHES [mm]

TOLERANCES UNLESS OTHERWISE SPECIFIED:

0 PLC	±
1 PLC	±
2 PLC	±
3 PLC	±.005 [0.13]
4 PLC	±
ANGLES	±
FINISH	±

MATERIAL: -

APPROVALS:

DWN	09 JUN 2011	MCKIBBEN, JOHN
CHK	09 JUN 2011	DOWHOWER, KENNETH
APVD	09 JUN 2011	DOWHOWER, KENNETH

PRODUCT SPEC: 108-2482

APPLICATION SPEC: 114-32025

WEIGHT: -

CUSTOMER DRAWING

SCALE: 2:1

SHEET 1 OF 1

REV C

STE TE Connectivity

RECEPTACLE ASSEMBLY KIT

SIZE: A2 CAGE CODE: 00779 DRAWING NO: C-2102352 RESTRICTED TO: -

X-ON Electronics

Largest Supplier of Electrical and Electronic Components

Click to view similar products for [Standard Circular Connector](#) category:

Click to view products by [TE Connectivity](#) manufacturer:

Other Similar products are found below :

[5M2530B10P](#) [600259N006](#) [600273N007](#) [6134-336-13149](#) [6134-337-11149](#) [6134-337-2390](#) [6134-341-17149](#) [6280-4SG-516](#) [6280-7SG-3DC6290](#) [6291A](#) [66200A-10](#) [680-SMG](#) [681-PMG](#) [CXS3102A14S2P](#) [CXS3102A181S](#) [7251-5SG-300](#) [7271-6SG-300](#) [7282-3PG-300-CH3](#) [75-474618-01S](#) [75-474618-04P](#) [75-474618-04S](#) [799539-000](#) [MI8-SE](#) [805-005-07NF11-19PC](#) [805-005-07NF15-7PA](#) [8280-4PG-516](#) [8280-7PG-519](#) [8282-5PG-519](#) [836783-1](#) [MP-4102-25P-C](#) [862256-1](#) [864019-2](#) [866857-1](#) [867865-1](#) [PT01SP-14-18P](#) [PT08P-14-5S](#) [PTSF06SE-14-12S120-1833-000](#) [QCM019PC2DC012B](#) [1-2069279-1](#) [121583-0217](#) [121667-0020](#) [129591AU](#) [1000B BULK](#) [RD10A16-19-P6CS051/1](#)
[RD10A20-31-P8CS051/1](#) [RD16A14-12-S6CS051/2](#) [1301240290](#) [1301240347](#) [1301860202](#)