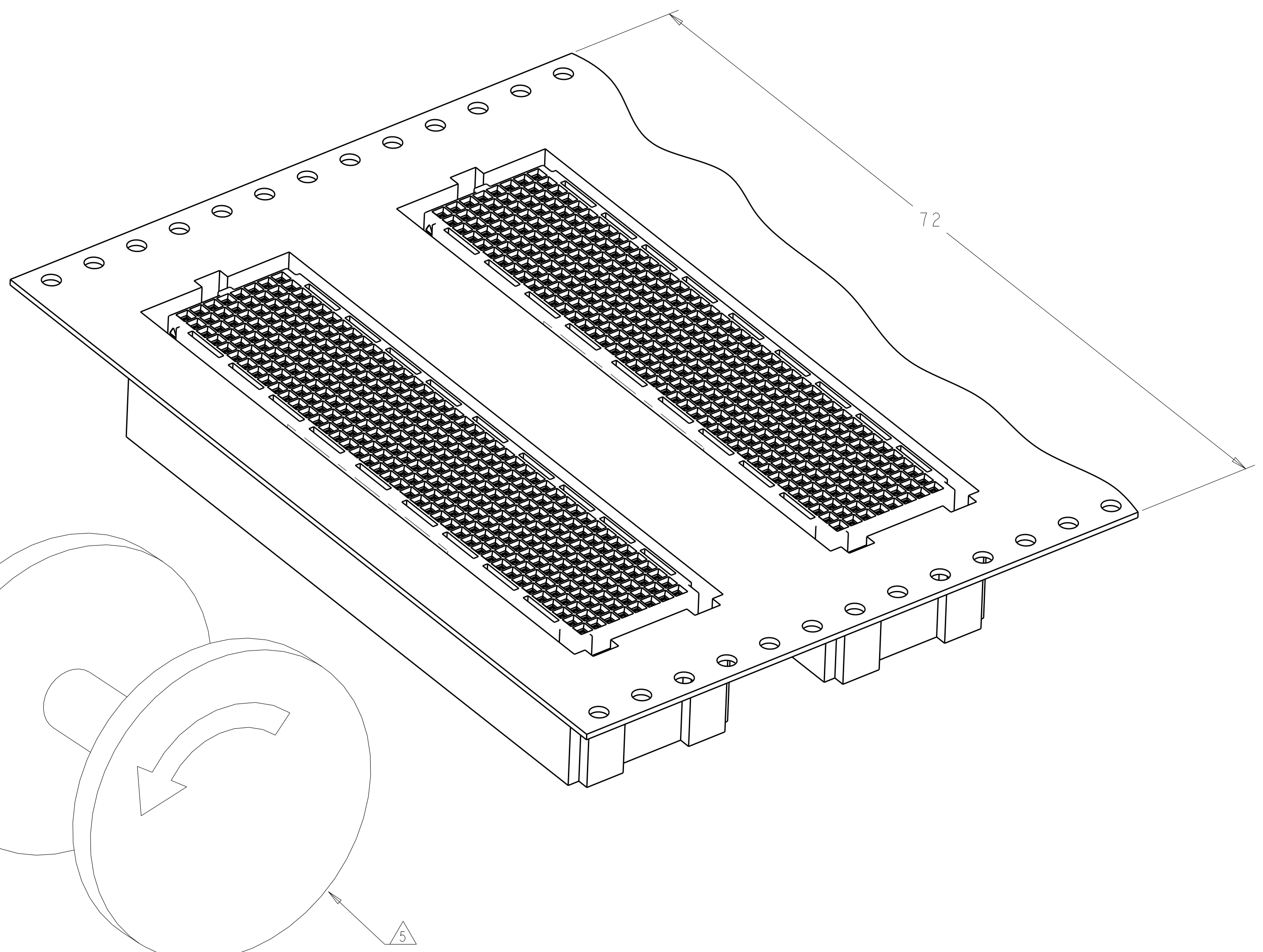
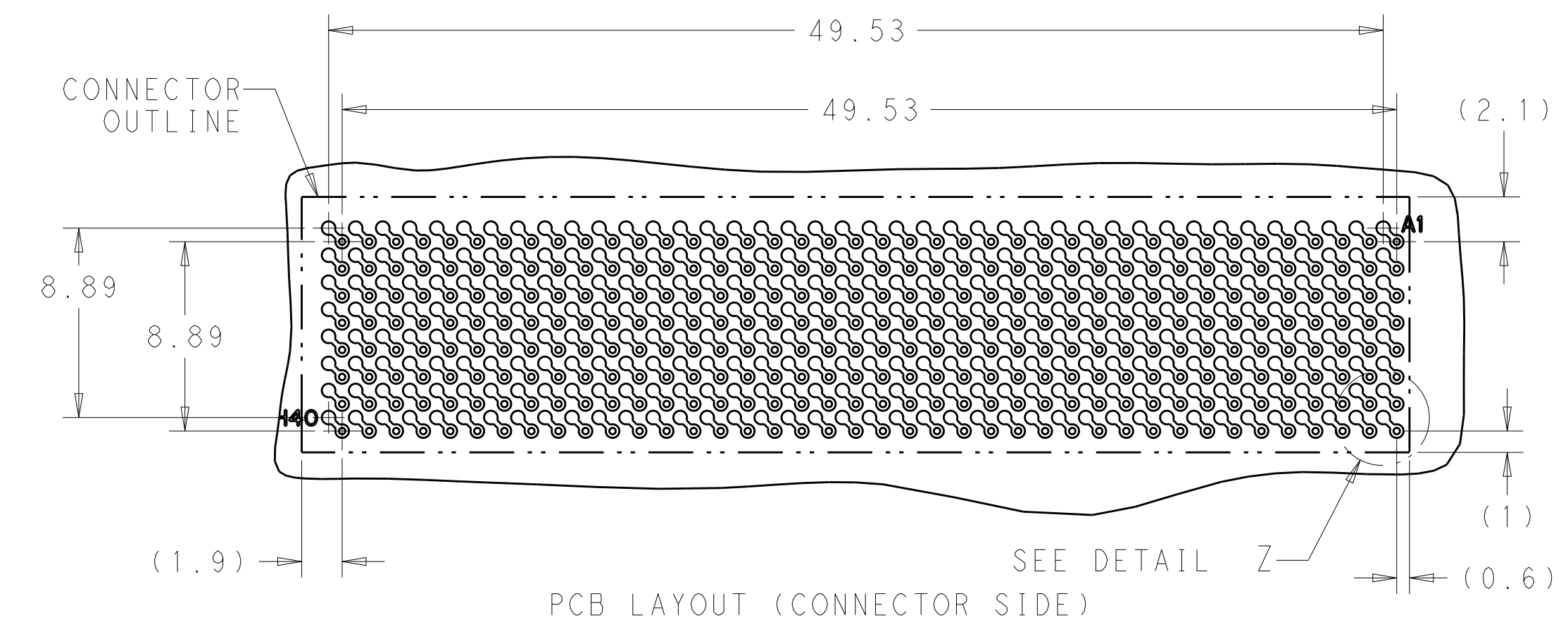
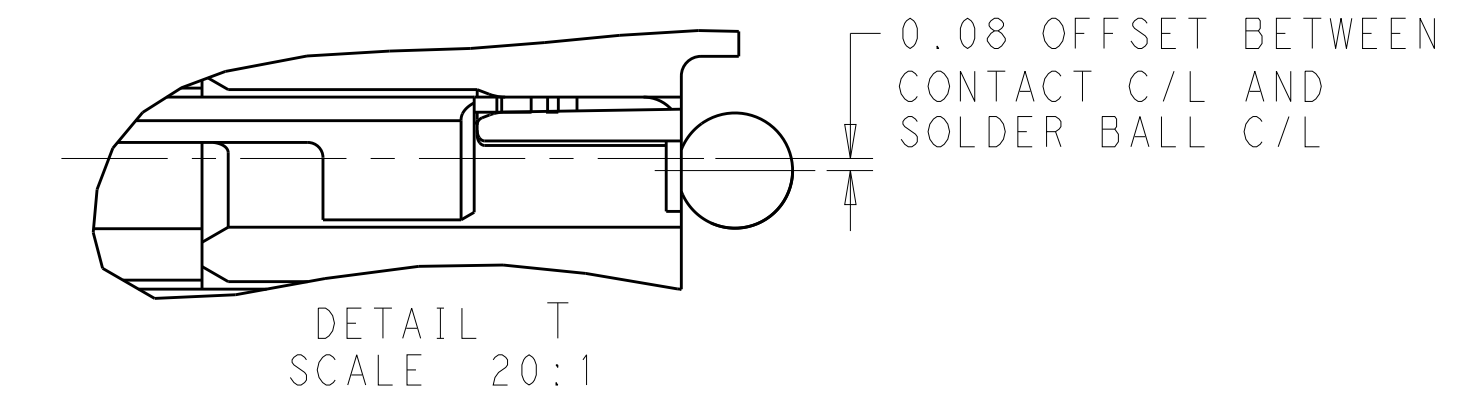
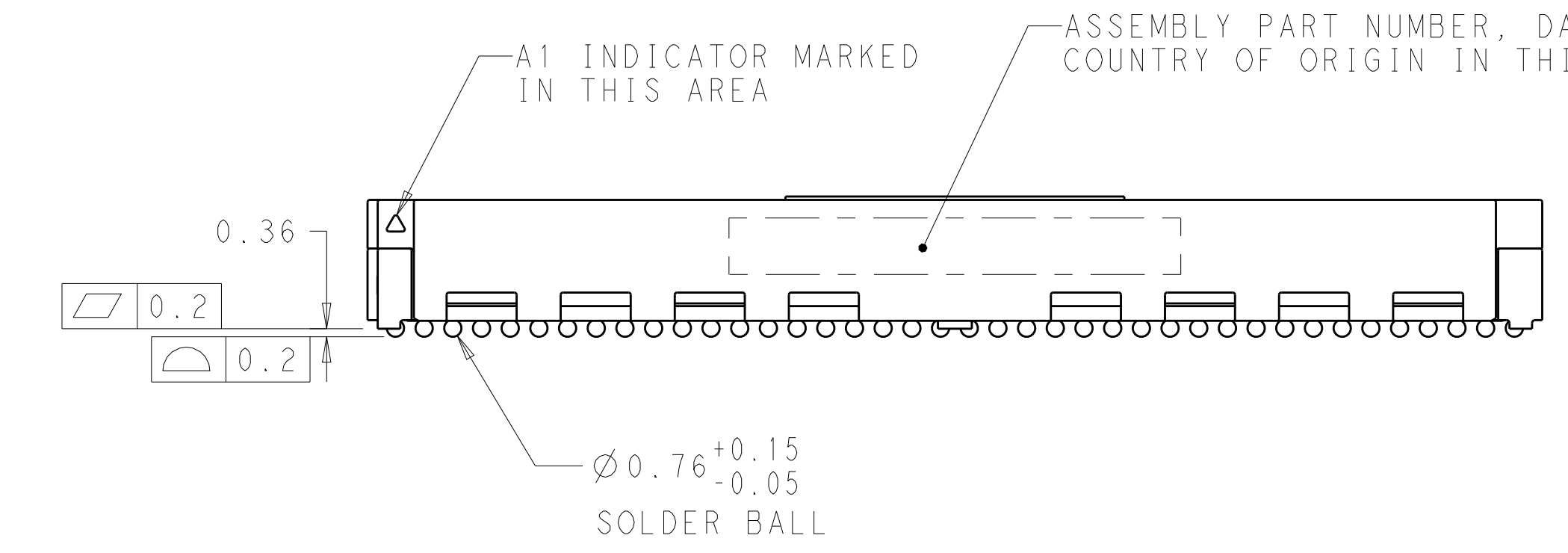
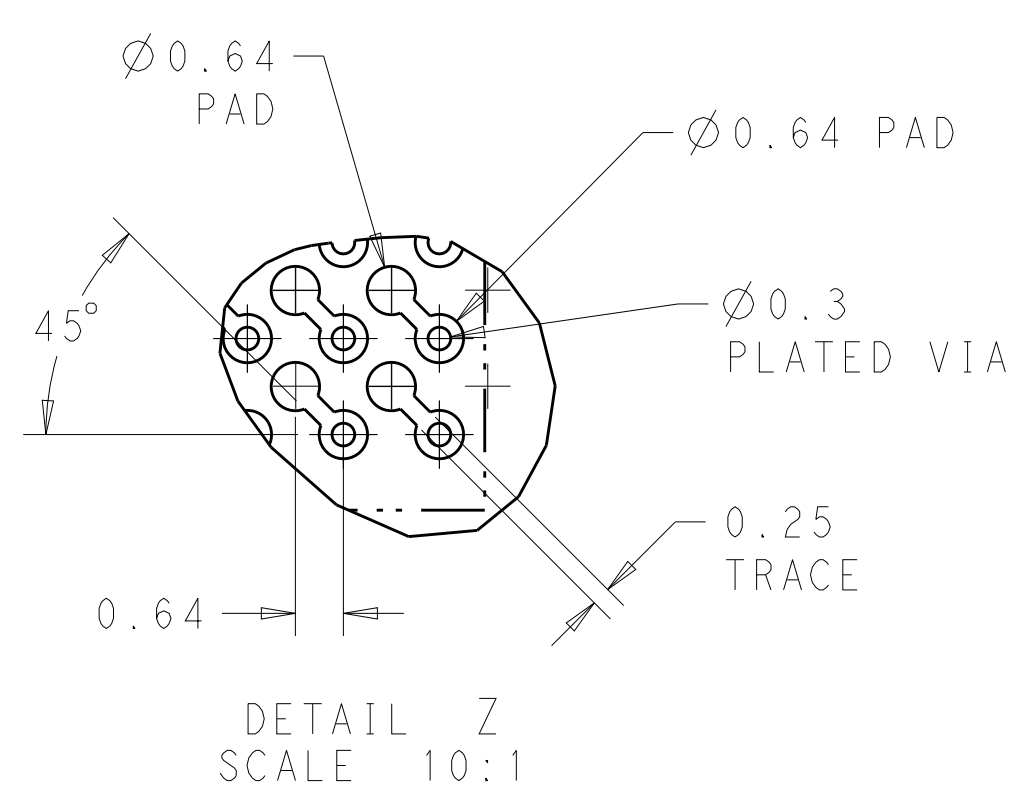
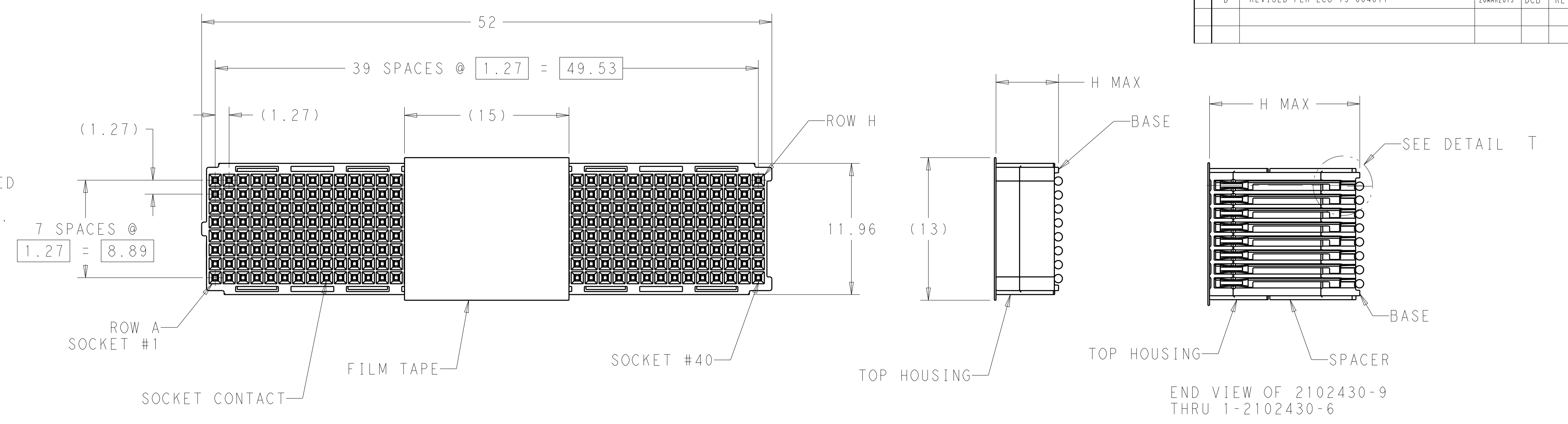
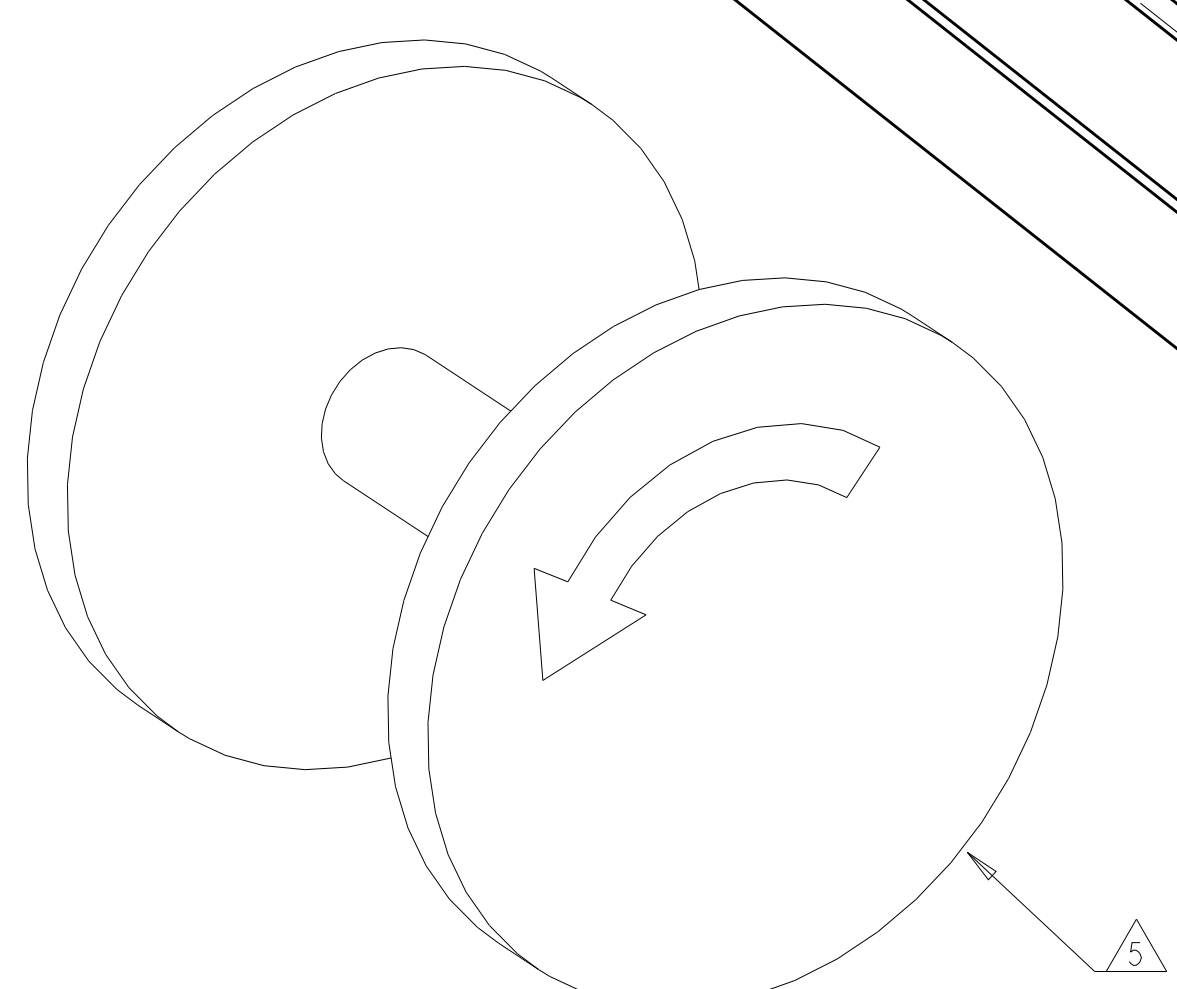


NOTES:
 1 MATERIAL: LCP, COLOR: NATURAL
 CONTACT: BERYLLIUM COPPER
 SOLDER BALL: SEE TABLE
 FILM TAPE: KAPTON WITH SILICONE ADHESIVE
 2 FINISH: CONTACT: GOLD (SEE TABLE) ON MATING AREA OVER
 NICKLE ON ENTIRE CONTACT.
 3. PRODUCT IS PACKAGE ON TAPE AND REEL.
 4 PRELIMINARY PART.
 5 DIAGRAM REPRESENTS THE REELING DIRECTION OF THE PACKAGED
 CONNECTORS. THERE ARE 10 EMPTY POCKETS AT THE BEGINNING
 OF THE REEL AND 15 EMPTY POCKETS AT THE END OF THE REEL.

REVISIONS				
P.	LTN	DESCRIPTION	DATE	OWN APVD
C		REV PER ECO 18-010457	7-24-18	CT CJ
D		REVISED PER ECO-19-004671	26MAR2019	DCB RL



4	2102429-4	15	0.76µm	11	LEAD FREE PER SAC405	1-2102430-6	
4	2102429-3	15	0.76µm	11	TIN LEAD	1-2102430-5	
4	2102429-2	15	1.27µm	11	LEAD FREE PER SAC405	1-2102430-4	
4	2102429-1	15	1.27µm	11	TIN LEAD	1-2102430-3	
	2102429-4	18	0.76µm	14	LEAD FREE PER SAC405	1-2102430-2	
	SUPERSEDED BY 2102430-9	2102429-3	18	0.76µm	14	TIN LEAD	1-2102430-1
	SUPERSEDED BY 1-2102430-2	2102429-2	18	1.27µm	14	LEAD FREE PER SAC405	1-2102430-0
		2102429-1	18	1.27µm	14	TIN LEAD	2102430-9
4	2102429-4	12	0.76µm	8	LEAD FREE PER SAC405	2102430-8	
4	2102429-3	12	0.76µm	8	TIN LEAD	2102430-7	
	2102429-4	10	0.76µm	6	LEAD FREE PER SAC405	2102430-6	
	SUPERSEDED BY 2102430-1	2102429-3	10	0.76µm	6	TIN LEAD	2102430-5
4	2102429-2	12	1.27µm	8	LEAD FREE PER SAC405	2102430-4	
4	2102429-1	12	1.27µm	8	TIN LEAD	2102430-3	
	SUPERSEDED BY 2102430-6	2102429-2	10	1.27µm	6	LEAD FREE PER SAC405	2102430-2
		2102429-1	10	1.27µm	6	TIN LEAD	2102430-1
	MATING PART NUMBER	STACK HEIGHT (mm)	GOLD PLATING THICKNESS	H MAX REF	SOLDER BALL MATERIAL	PART NUMBER	



THIS DRAWING IS A CONTROLLED DOCUMENT. DWG: 18JUL2012, CHK: MCKIBBEN, JOHN, 18JUL2012, APVD: DOWHOWER, KENNETH

DIMENSIONS: mm	TOLERANCES UNLESS OTHERWISE SPECIFIED:	PRODUCT SPEC: 108-2411	NAME: ASSEMBLY, SOCKET, 320 POSITION, MINI BOX STACKING CONNECTOR
	0 PLC ±0.5	APPLICATION SPEC: 114-13279	SIZE: CAGE CODE DRAWING NO: A100779C=2102430
	1 PLC ±0.13	WEIGHT: -	RESTRICTED TO: -
	2 PLC ±0.013	CUSTOMER DRAWING	SCALE: 4:1 SHEET 1 OF 1 REV D
	3 PLC ±0.001		
	4 PLC ±0.0001		
	ANGLES ±0.0001		

X-ON Electronics

Largest Supplier of Electrical and Electronic Components

Click to view similar products for [Board to Board & Mezzanine Connectors](#) category:

Click to view products by [TE Connectivity](#) manufacturer:

Other Similar products are found below :

[10135583-642402LF](#) [89885-310LF](#) [589158040000018](#) [6-1393048-0](#) [68683-613](#) [MDF7-12DP-2.54DSA](#) [MDF7-18P-2.54DSA\(01\)](#) [MDF7-20DP-2.54DSA](#) [MDF7-26D-2.54DSA\(55\)](#) [MDF7-3P-2.54DSA\(01\)](#) [MDF7B-20P-2.54DSA\(01\)](#) [MDF7B-3P-2.54DSA\(55\)](#) [MDF7C-18P-2.54DSA\(55\)](#) [MDF7P-5P-2.54DSA\(55\)](#) [75234-0516](#) [FCN-230C068-11](#) [FCN-268F012-G/BD](#) [FCN-268F036-G/BD](#) [FCN-268M012-G/0D](#) [FCN-268M024-G/1D](#) [FCN-360C008-C](#) [FCN-723J004/1](#) [MIS-048-01-F-D-DP-K](#) [832-10-034-10-001000](#) [93696-325LF](#) [11828-1FA](#) [AXK630345P](#) [18097-0013](#) [2007042-2](#) [304400-2](#) [FCN-214Q030-G/0](#) [FCN-215Q040-G/0](#) [FCN-230C068-ESA](#) [FCN-234P048-G/0](#) [FCN-235D050-G/C](#) [FCN-360A3](#) [FCN-360C040-B](#) [210-93-314-41-105000](#) [2-22603-0](#) [379-064-521-202](#) [MDF7-12P-2.54DSA\(01\)](#) [MDF7-16P-2.54DS\(56\)](#) [MDF7-16P-2.54DSA\(55\)](#) [MDF7-40DP-2.54DSA\(55\)](#) [MDF7-8P-2.54DSA\(55\)](#) [AXG720047](#) [5031084030](#) [55323-1519](#) [DF33-2P-3.3DSA\(24\)](#) [DF33-2S-3.3C](#)