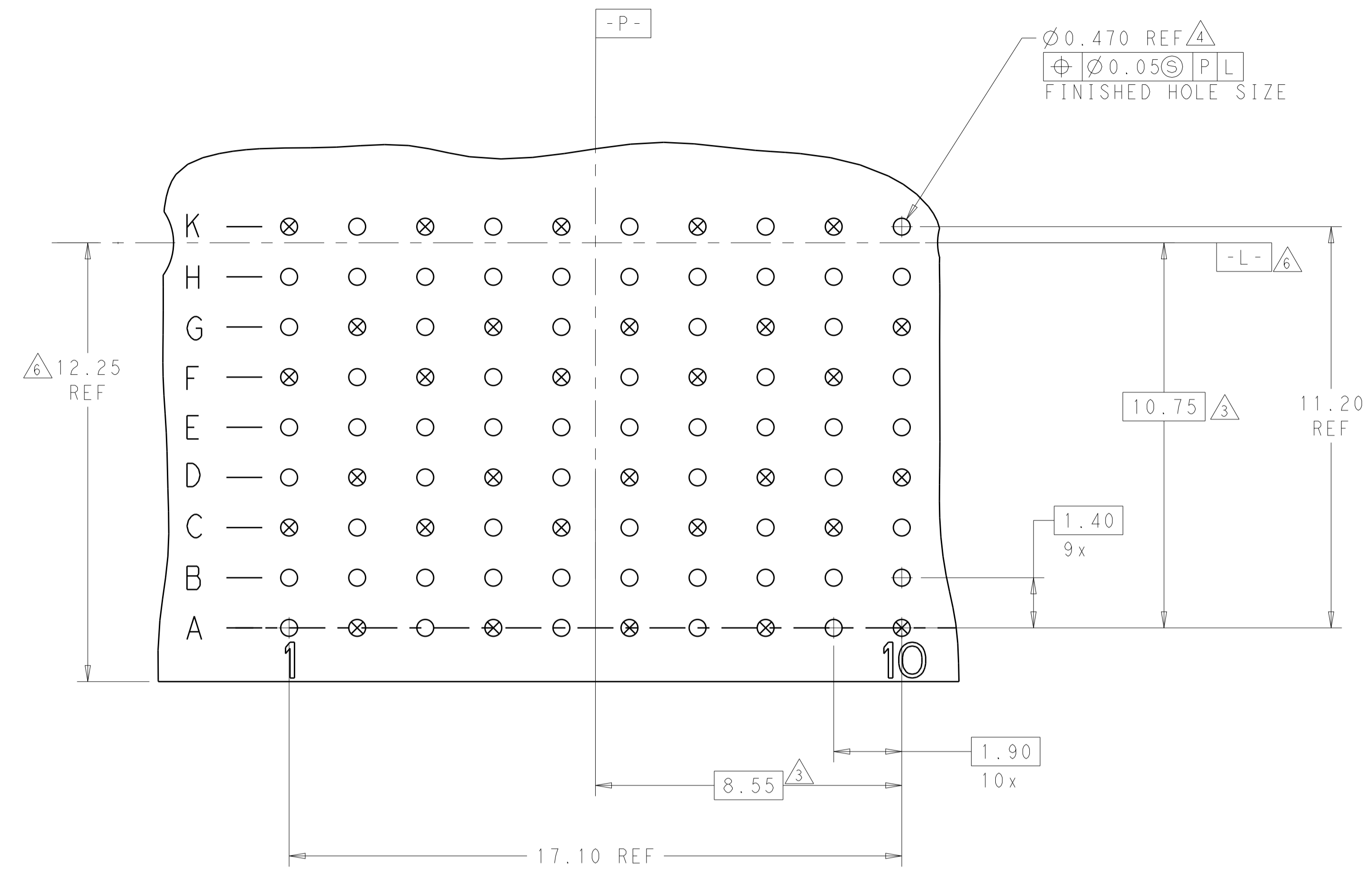


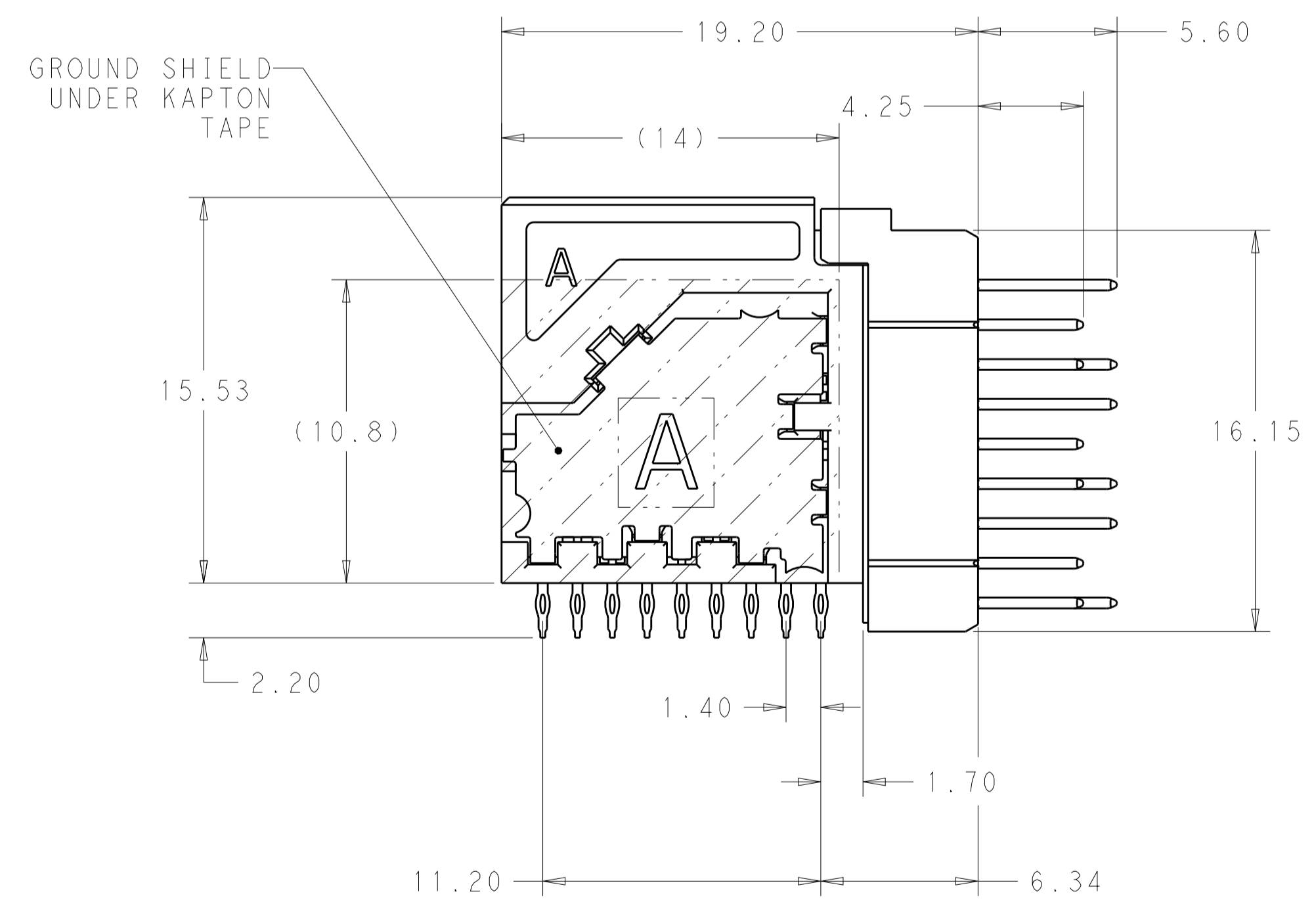
LOC		DIST		REVISIONS			
P	LTN	DESCRIPTION	DATE	DWN	APVD		
D		REV PER ECO 14-018436	12-8-14	CT	DH		



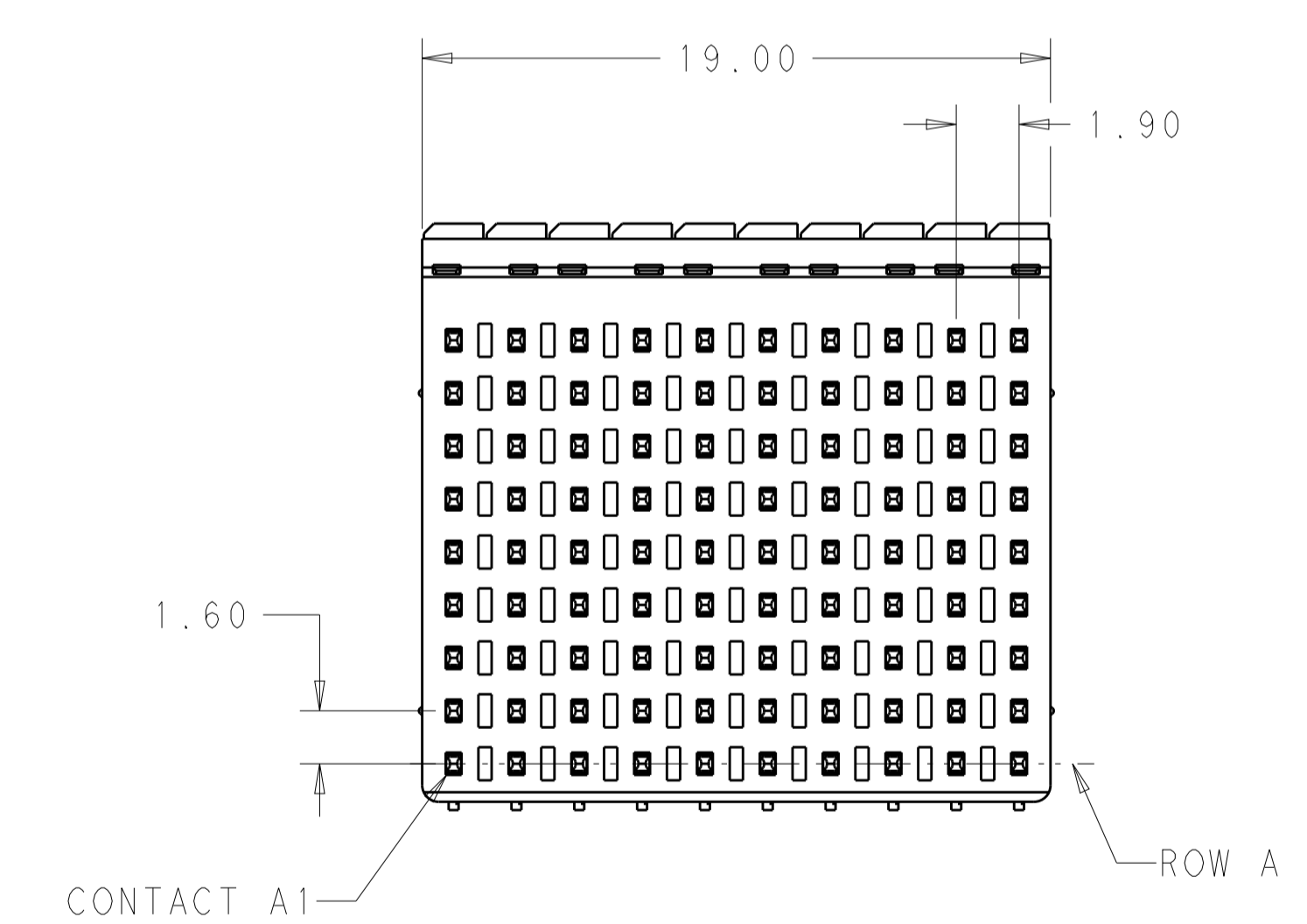
RECOMMENDED PC BOARD LAYOUT  
 COMPONENT SIDE SHOWN  
 SCALE 10:1

○ = SIGNAL  
 ⊗ = GROUND

- 1 MATERIAL:  
 CONTACT AND SHIELD: COPPER ALLOY  
 HOUSING AND CHICKLET: LCP, COLOR: BLACK  
 TAPE: POLYIMIDE FILM WITH SILICONE ADHESIVE
- 2 FINISH:  
 CONTACT: MATING AREA: 1.27µm MIN GOLD OVER  
 1.27µm MIN NICKEL  
 COMPLIANT PIN: 0.5µm MIN MATTE TIN OVER  
 1.27µm MIN NICKEL  
 SHIELD: 1.27µm MIN NICKEL
- 3 DIMENSION APPLIES TO CENTERLINE OF THRU HOLE
- 4 PER APPLICATION SPEC 114-13267 MANUFACTURING TOLERANCES FOR  
 Ø0.46±.06 FINISHED HOLE WITH SnPb PLATING  
 DRILLED HOLE = Ø0.55±.025  
 Cu PLATING = 0.038±0.013  
 SnPb PLATING = 0.008±0.004  
 OR  
 Ø0.47±.055 FINISHED HOLE WITH OUT SnPb PLATING  
 DRILLED HOLE = Ø0.55±.025  
 Cu PLATING = 0.038±0.013
- 5 GROUNDS ARE CONNECTED THROUGH GROUNDING SHIELD. GROUNDS DO NOT APPLY TO SINGLE ENDED MODULE.
- 6 SEE PRINT 2102427-1 FOR DIMENSIONS
- 7 FINISH:  
 CONTACT: MATING AREA: 1.27µm MIN GOLD OVER  
 1.27µm MIN NICKEL  
 COMPLIANT PIN: 0.5µm MIN BRIGHT TIN LEAD OVER  
 1.27µm MIN NICKEL  
 SHIELD: 1.27µm MIN NICKEL



# 2102436-1, 2102436-3

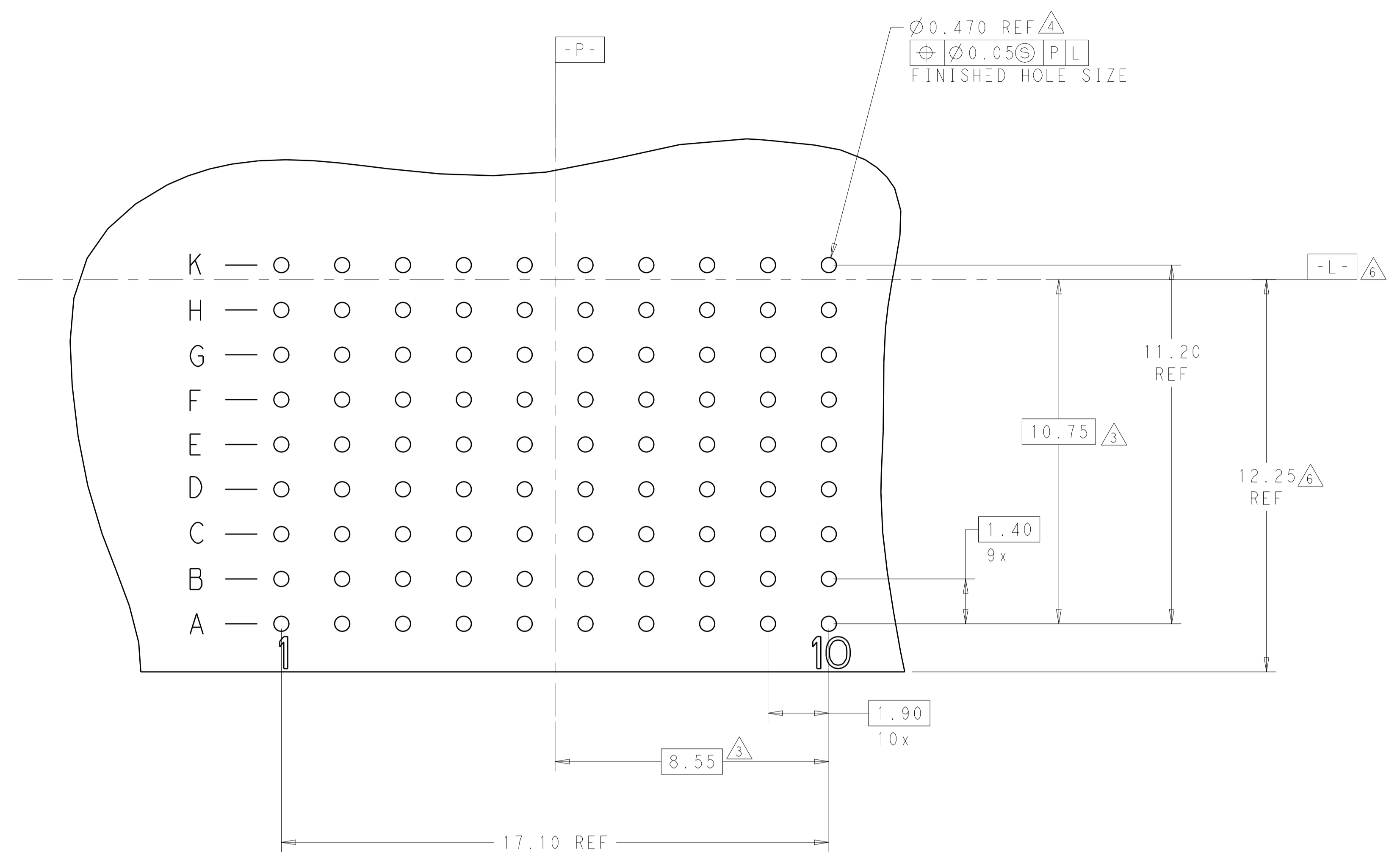


1	SINGLE ENDED	2102436-4
1	DIFFERENTIAL PAIR	2102436-3
2	SINGLE ENDED	2102436-2
2	DIFFERENTIAL PAIR	2102436-1
FINISH	DESCRIPTION	PART NUMBER

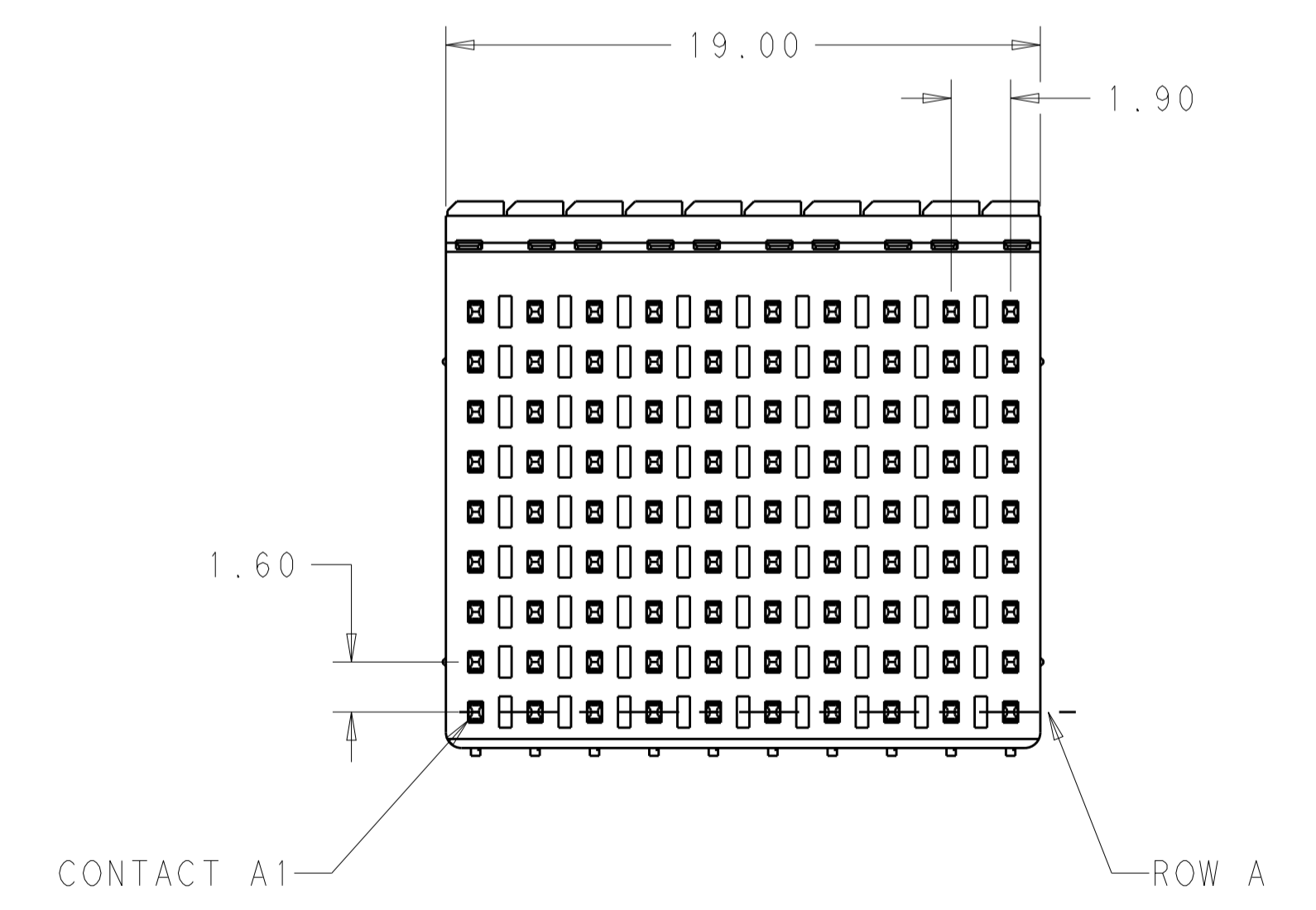
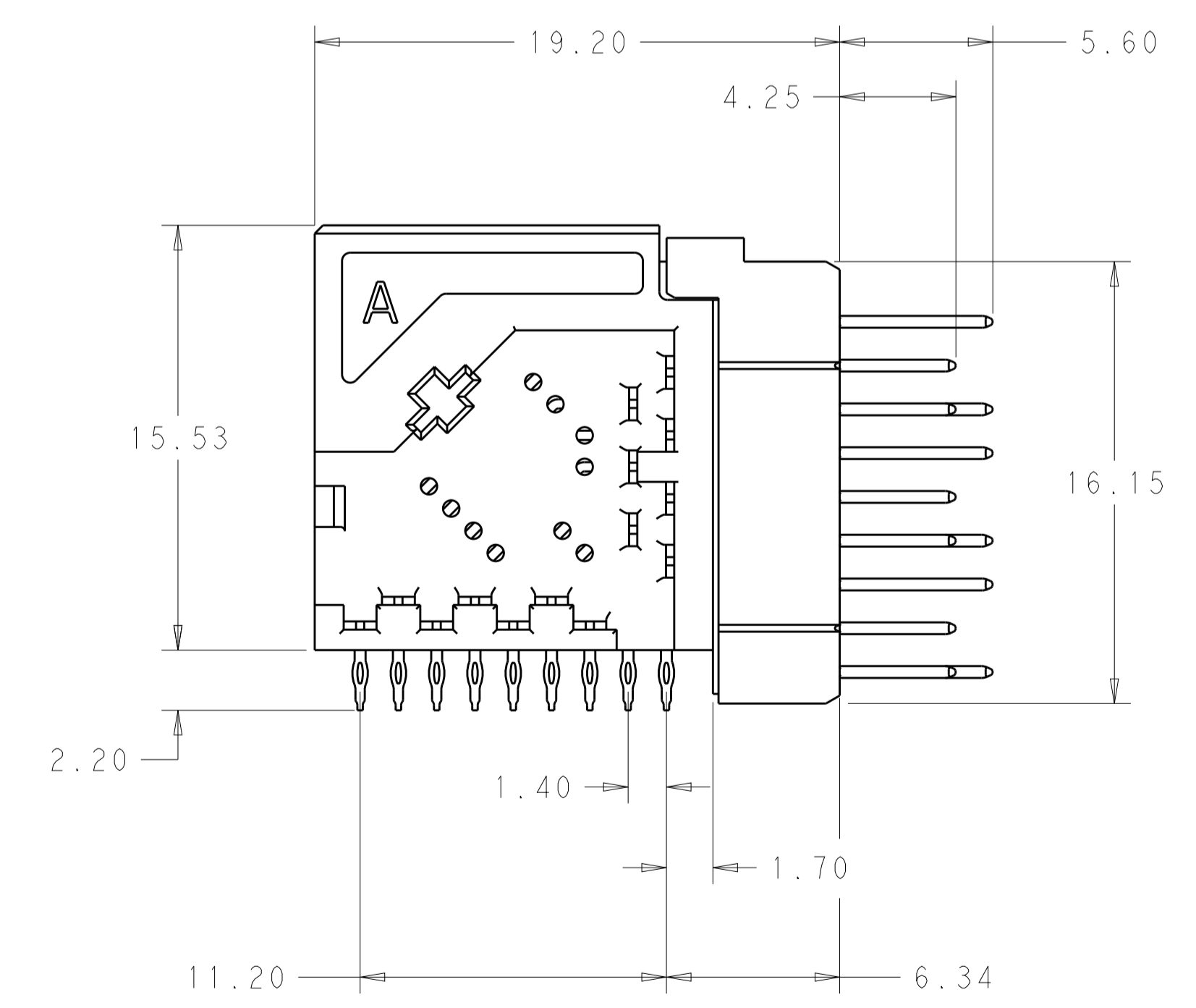
DIMENSIONS:		TOLERANCES UNLESS OTHERWISE SPECIFIED:		MATERIAL	
mm	0 PLC	±		SEE TABLE	
	1 PLC	±0.13			
	2 PLC	±0.10			
	3 PLC	±			
	4 PLC	±			
	ANGLES	±2°			

THIS DRAWING IS A CONTROLLED DOCUMENT.	DWN D. BELACK	TOMAR2011
CHK K. MILLER	APVD K. THACKSTON	NAME
PRODUCT SPEC	108-2409	Fortis Zd, METAL SHELL LRU, RIGHT ANGLE HEADER, MODULE
APPLICATION SPEC	114-13267	SIZE CAGE CODE DRAWING NO
WEIGHT ~12.08 g	A100779	RESTRICTED TO
CUSTOMER DRAWING	SCALE 1:1	SHEET 1 OF 2

LOC	DIST	REV	DATE	BY	APPV
-	-	-	-	-	-
REVISIONS					



# 2102436-2, 2102436-4



THIS DRAWING IS A CONTROLLED DOCUMENT.		OWN: D. BELACK 10MAR2011	<b>STE</b> TE Connectivity
DIMENSIONS: mm		CHK: K. MILLER	
TOLERANCES UNLESS OTHERWISE SPECIFIED:		APVD: K. THACKSTON	NAME: Fortis Zd. METAL SHELL LRU, RIGHT ANGLE HEADER, MODULE
0 PLC ±0.13	1 PLC ±0.10	PRODUCT SPEC: 108-2409	SIZE: A1
2 PLC ±0.10	3 PLC ±0.10	APPLICATION SPEC: 114-13267	CAGE CODE: -
4 PLC ±0.10	ANGLES ±2°	WEIGHT: ~ g	DRAWING NO: C=2102436
MATERIAL: SEE TABLE	FINISH: SEE TABLE	Customer Drawing	RESTRICTED TO: -
SCALE: 10:1			SHEET: 2 OF 2
			REV: D

## X-ON Electronics

Largest Supplier of Electrical and Electronic Components

*Click to view similar products for [High Speed/Modular Connectors](#) category:*

*Click to view products by [TE Connectivity](#) manufacturer:*

Other Similar products are found below :

[650827-1](#) [74040-1346](#) [1410191-1](#) [1410337-1](#) [1410368-3](#) [1410367-3](#) [1410971-4](#) [1467833-1](#) [2000877-1](#) [2000878-1](#) [2041314-1](#) [2065387-1](#)  
[2187307-1](#) [163P](#) [1934290-1](#) [2000875-1](#) [2065799-1](#) [2065917-1](#) [2102736-2](#) [FSR-40](#) [2169868-2](#) [22354-8](#) [437-5040-000](#) [039-0246-000](#)  
[0740618502](#) [0761601016](#) [73774-1000](#) [030-2415-003/100 PK](#) [030-7380-004](#) [030-2494-001](#) [532939-1](#) [5532901-3](#) [3-1469268-7](#) [UMK-SE](#)  
[11,25-1](#) [74748-102LF](#) [10041743-101LF](#) [10066670-100002LF](#) [1-533915-1](#) [249-4515-000](#) [7-1469373-3](#) [DL2-2J/S](#) [2000713-8](#) [2000713-7](#)  
[10124313-101LF](#) [1410189-2](#) [3011-21](#) [EBTF-4-10-2.0-S-RA-1](#) [430305-001](#) [4395800100](#) [8140115](#)