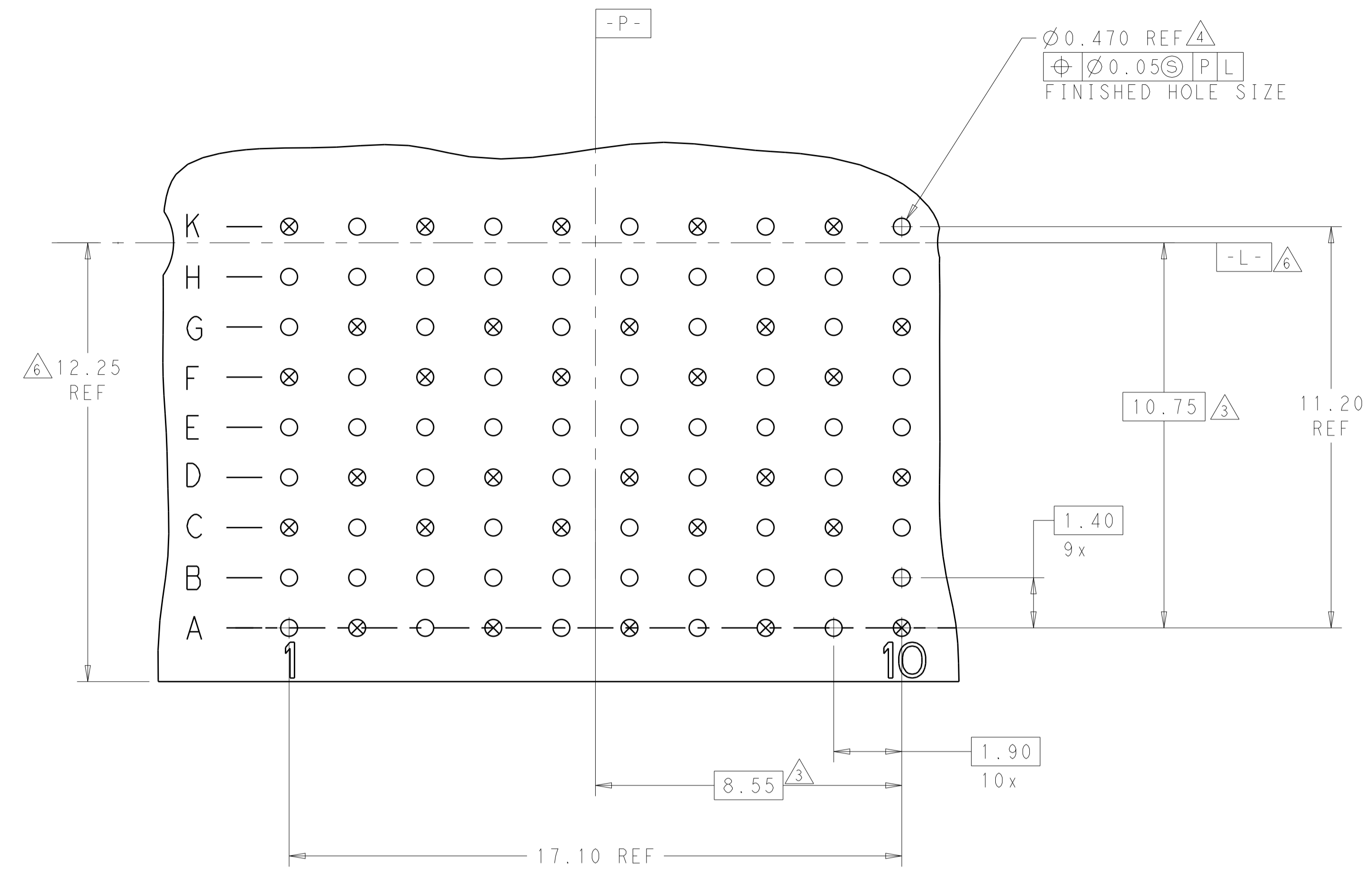


LOC	DIST	REV	DATE	BY	CHK	APPV
-	-	D	12-8-14	CT	DH	

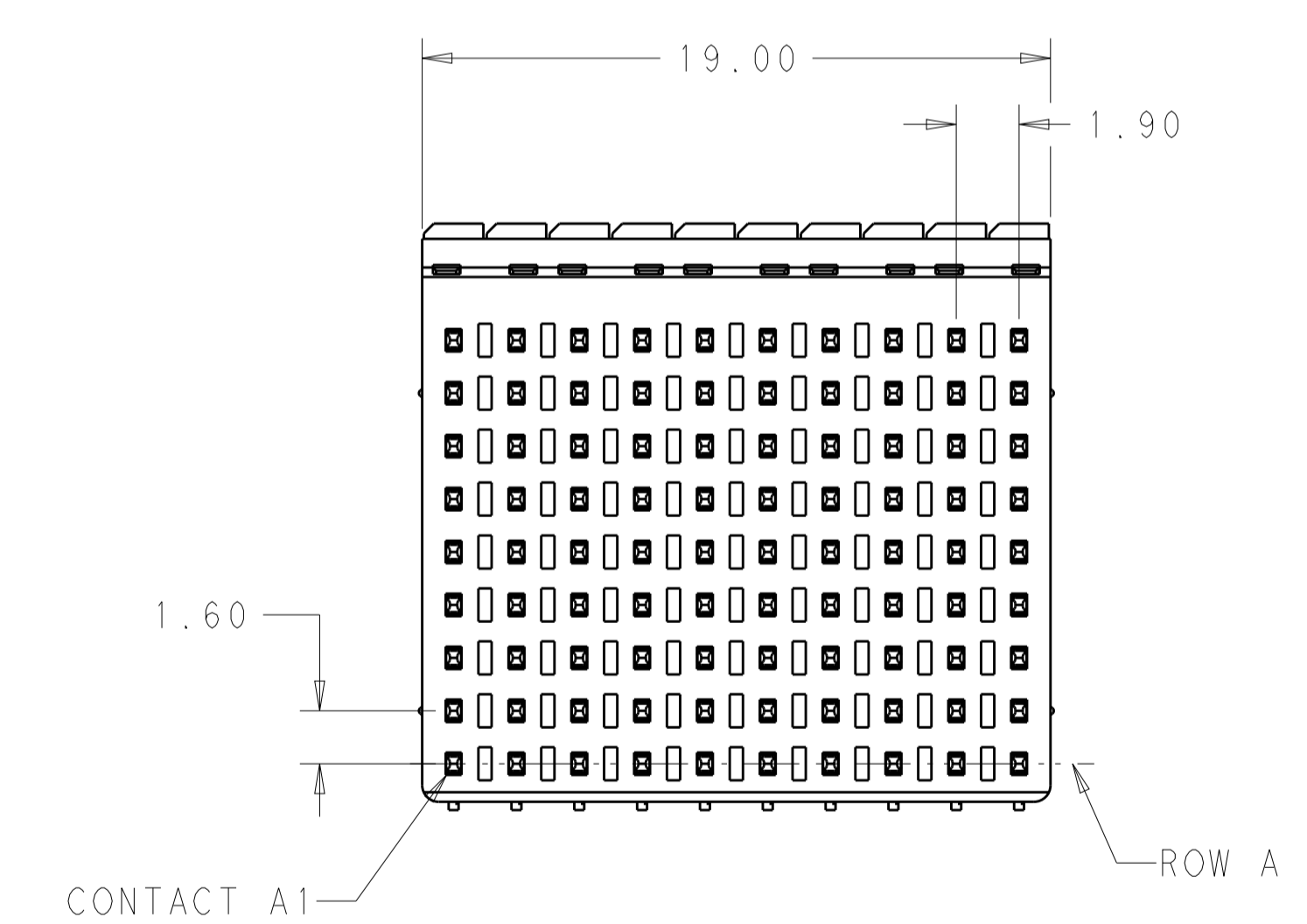
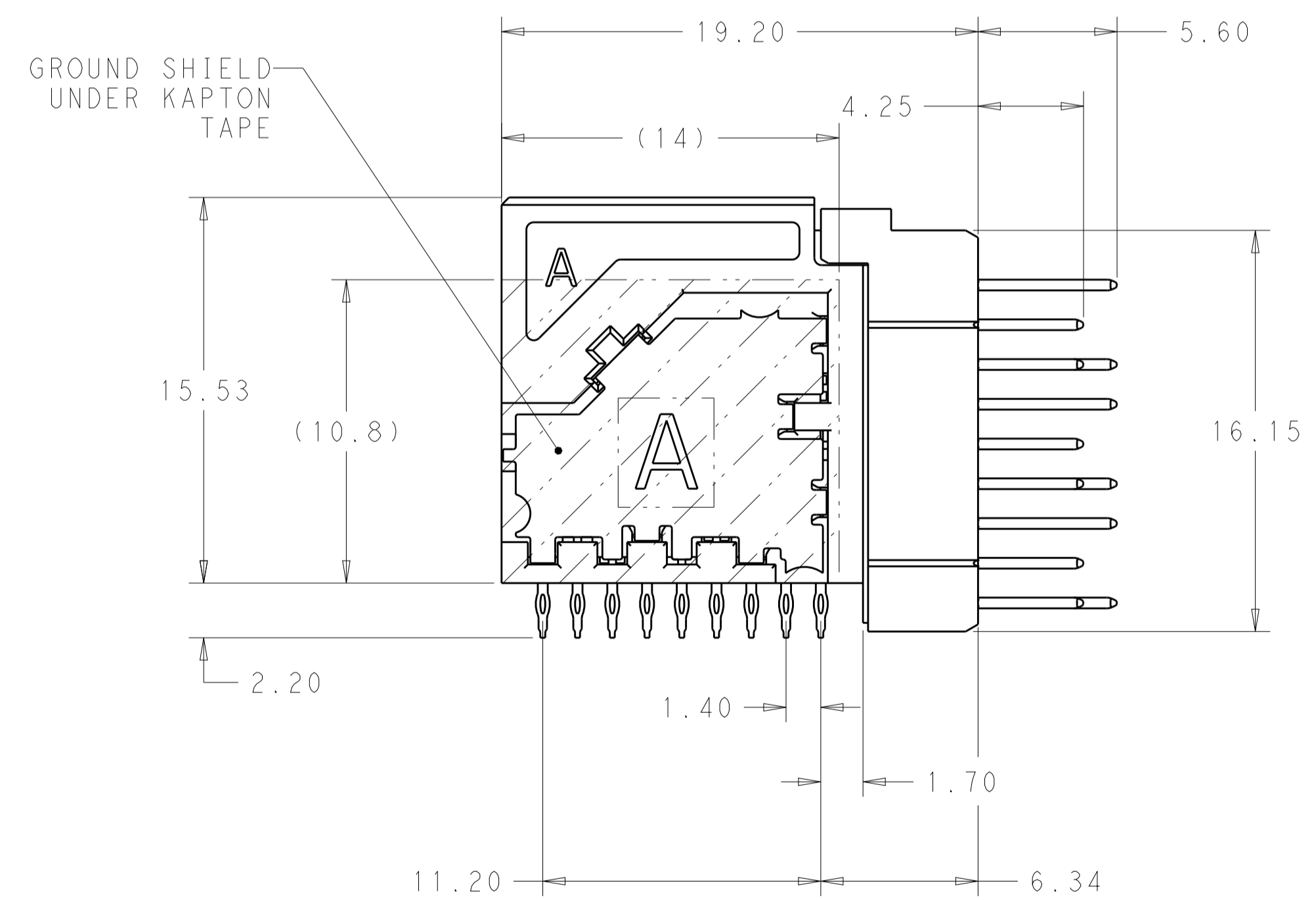


2102436-1, 2102436-3

RECOMMENDED PC BOARD LAYOUT
COMPONENT SIDE SHOWN
SCALE 10:1

- = SIGNAL
- ⊗ = GROUND

- 1** MATERIAL:
CONTACT AND SHIELD: COPPER ALLOY
HOUSING AND CHICKLET: LCP, COLOR: BLACK
TAPE: POLYIMIDE FILM WITH SILICONE ADHESIVE
- 2** FINISH:
CONTACT: MATING AREA: 1.27µm MIN GOLD OVER
1.27µm MIN NICKEL
COMPLIANT PIN: 0.5µm MIN MATTE TIN OVER
1.27µm MIN NICKEL
SHIELD: 1.27µm MIN NICKEL
- 3** DIMENSION APPLIES TO CENTERLINE OF THRU HOLE
- 4** PER APPLICATION SPEC 114-13267 MANUFACTURING TOLERANCES FOR
Ø0.46±.06 FINISHED HOLE WITH SnPb PLATING
DRILLED HOLE = Ø0.55±.025
Cu PLATING = 0.038±0.013
SnPb PLATING = 0.008±0.004
OR
Ø0.47±.055 FINISHED HOLE WITH OUT SnPb PLATING
DRILLED HOLE = Ø0.55±.025
Cu PLATING = 0.038±0.013
- 5** GROUNDS ARE CONNECTED THROUGH GROUNDING SHIELD. GROUNDS DO NOT APPLY TO SINGLE ENDED MODULE.
- 6** SEE PRINT 2102427-1 FOR DIMENSIONS
- 7** FINISH:
CONTACT: MATING AREA: 1.27µm MIN GOLD OVER
1.27µm MIN NICKEL
COMPLIANT PIN: 0.5µm MIN BRIGHT TIN LEAD OVER
1.27µm MIN NICKEL
SHIELD: 1.27µm MIN NICKEL

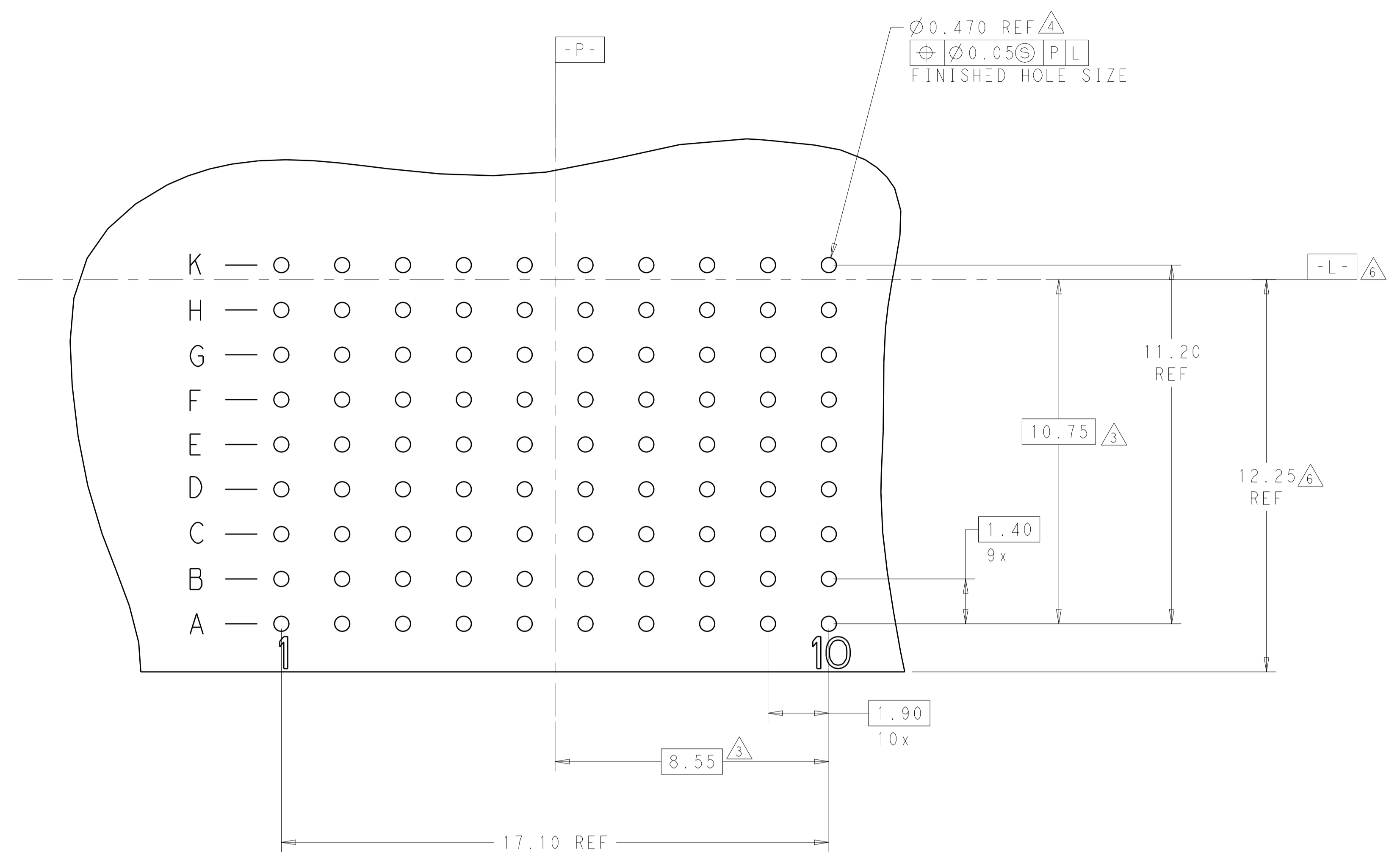


1	SINGLE ENDED	2102436-4
1	DIFFERENTIAL PAIR	2102436-3
2	SINGLE ENDED	2102436-2
2	DIFFERENTIAL PAIR	2102436-1
FINISH	DESCRIPTION	PART NUMBER

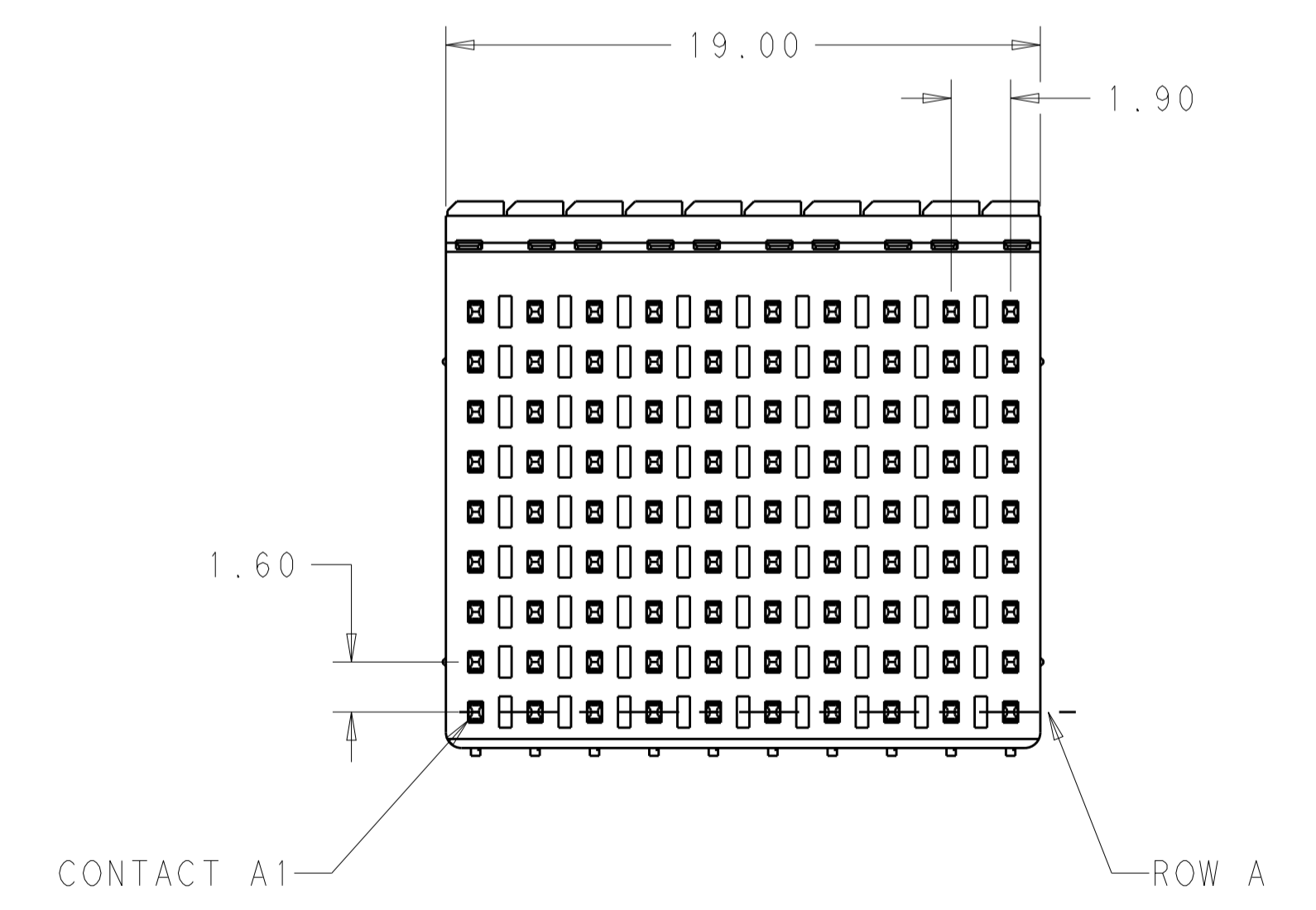
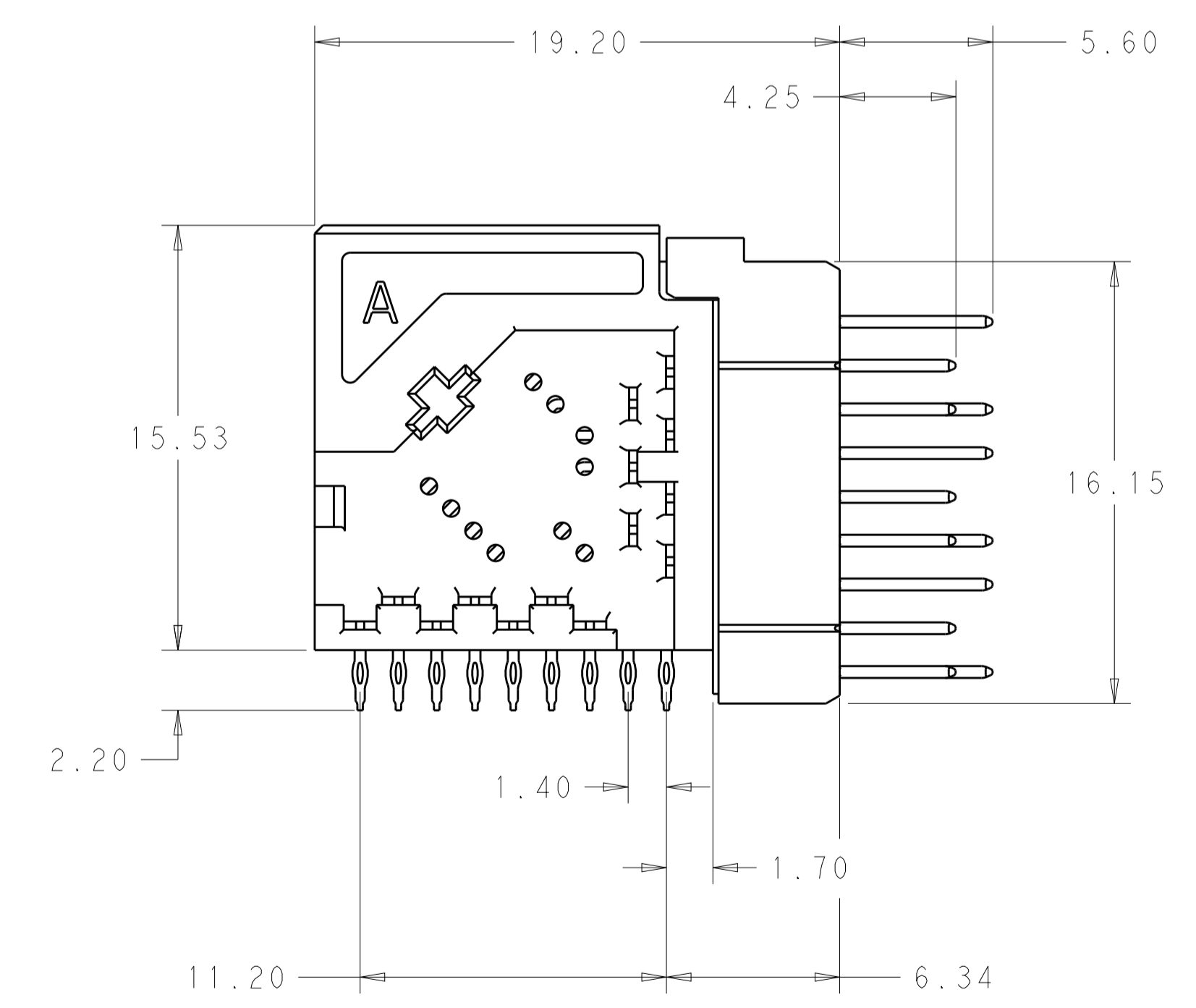
DIMENSIONS:		TOLERANCES UNLESS OTHERWISE SPECIFIED:	
mm	0 PLC	±	
	1 PLC	±0.13	
	2 PLC	±0.10	
	3 PLC	±	
	4 PLC	±	
	ANGLES	±2°	
MATERIAL		FINISH SEE TABLE	

THIS DRAWING IS A CONTROLLED DOCUMENT.	OWN D. BELACK	TOMAR2011
CHK K. MILLER	APVD K. THACKSTON	NAME
PRODUCT SPEC	108-2409	APPLICATION SPEC
114-13267	SIZE	CAGE CODE DRAWING NO
WEIGHT ~12.08 g	A100779	©=2102436
CUSTOMER DRAWING	SCALE 1:1	SHEET 1 OF 2

LOC	DIST	REV	DATE	BY	APPV
-	-	1	-	-	-
REVISIONS					
DESCRIPTION		DATE	BY	APPV	
SEE SHEET 1		-	-	-	-



2102436-2, 2102436-4



THIS DRAWING IS A CONTROLLED DOCUMENT.		OWN: D. BELACK 10MAR2011	TE Connectivity Fortis Zd. METAL SHELL LRU, RIGHT ANGLE HEADER, MODULE	
DIMENSIONS: mm		CHK: K. MILLER		
TOLERANCES UNLESS OTHERWISE SPECIFIED:		APVD: K. THACKSTON	NAME: 108-2409	
0 PLC ±0.13		PRODUCT SPEC: 108-2409	APPLICATION SPEC: 114-13267	
1 PLC ±0.10		SIZE: A1	CAGE CODE: C=2102436	
2 PLC ±0.08		RESTRICTED TO: -	SCALE: 10:1	
3 PLC ±0.05		WEIGHT: g	SHEET: 2 OF 2	
4 PLC ±0.02		Customer Drawing	REV: D	
ANGLES: ±2°				
FINISH: SEE TABLE				

X-ON Electronics

Largest Supplier of Electrical and Electronic Components

Click to view similar products for [High Speed/Modular Connectors](#) category:

Click to view products by [TE Connectivity](#) manufacturer:

Other Similar products are found below :

[650827-1](#) [74040-1346](#) [1410191-1](#) [1410368-3](#) [1410964-2](#) [1410326-3](#) [1410367-3](#) [1410971-4](#) [1467833-1](#) [2000877-1](#) [2000878-1](#) [2041314-1](#)
[2065387-1](#) [2187307-1](#) [163P](#) [1934290-1](#) [2000875-1](#) [2065917-1](#) [2102736-2](#) [FSR-40](#) [2169868-2](#) [22354-8](#) [437-5040-000](#) [5-1393565-0](#) [039-](#)
[0246-000](#) [0761601016](#) [0784461022](#) [10123159-12ELF](#) [030-2415-003/100 PK](#) [030-7380-004](#) [030-2494-001](#) [532939-1](#) [5532901-3](#) [3-1469268-](#)
[7](#) [74748-102LF](#) [73670-0247](#) [10041743-101LF](#) [10066670-100002LF](#) [1-533915-1](#) [249-4515-000](#) [7-1469373-3](#) [DL2-2J/S](#) [2000713-8](#)
[2000713-7](#) [10124313-101LF](#) [3011-21](#) [757105208](#) [EBTF-4-10-2.0-S-RA-1](#) [430305-001](#) [4395800100](#)