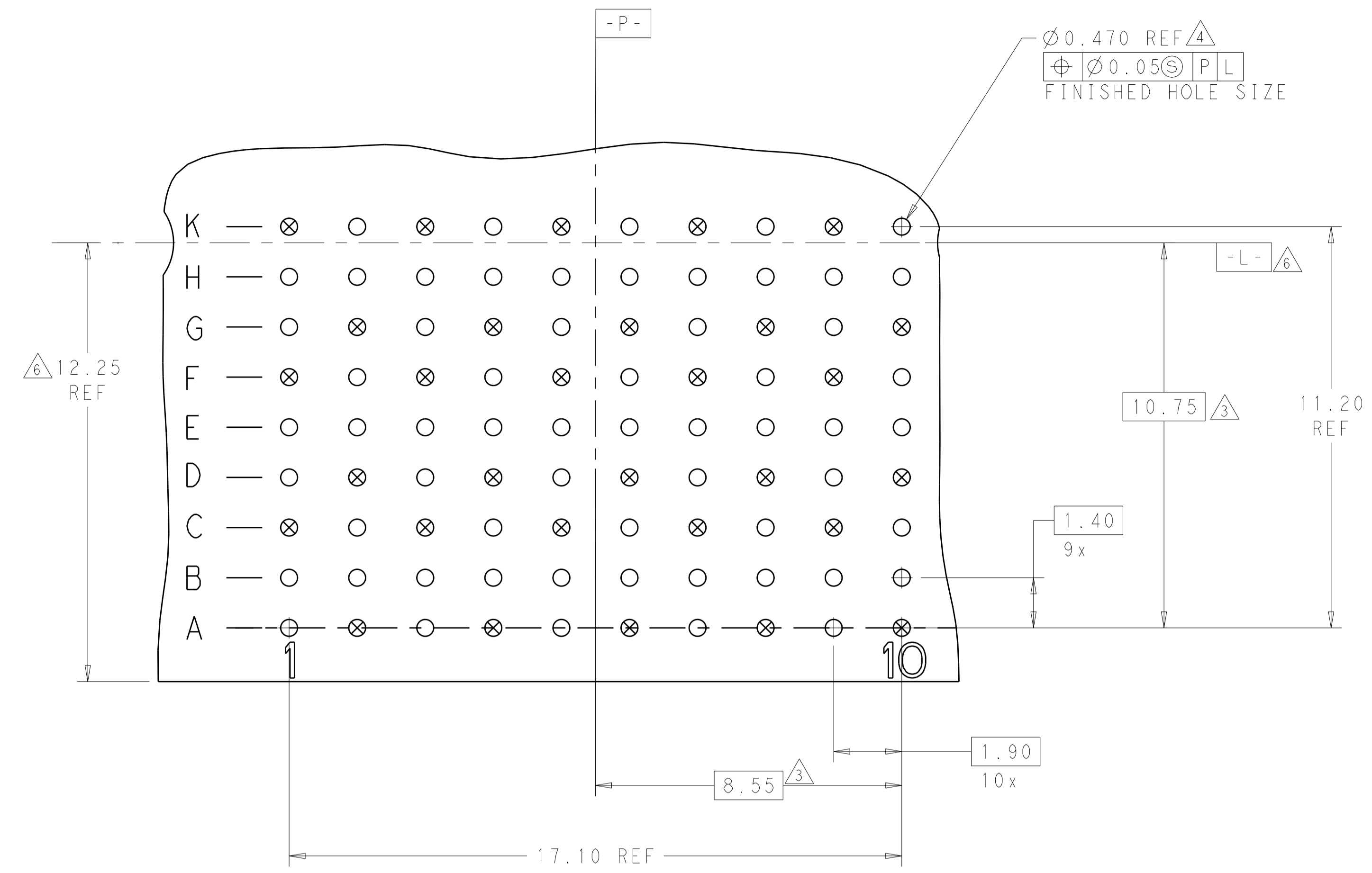


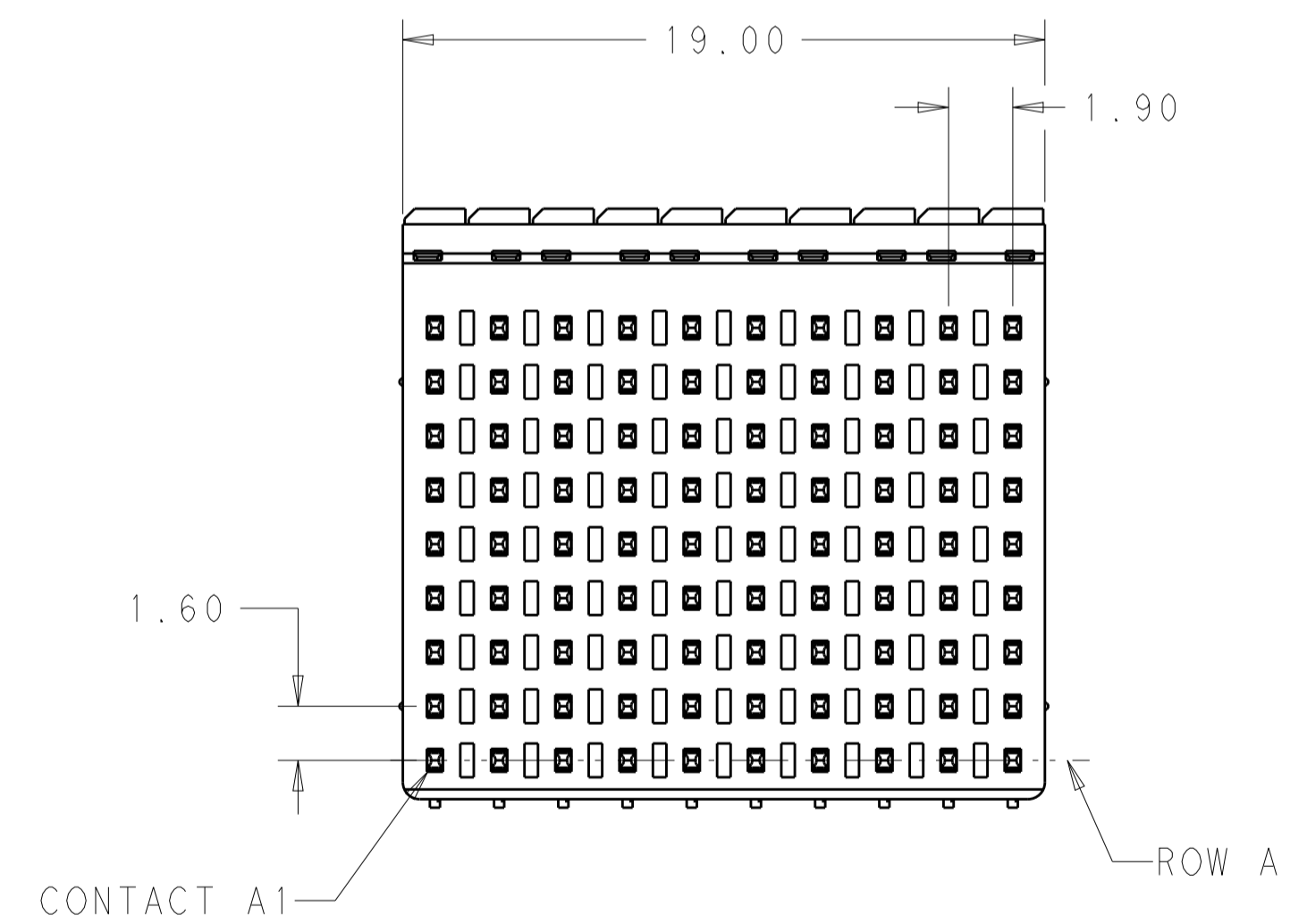
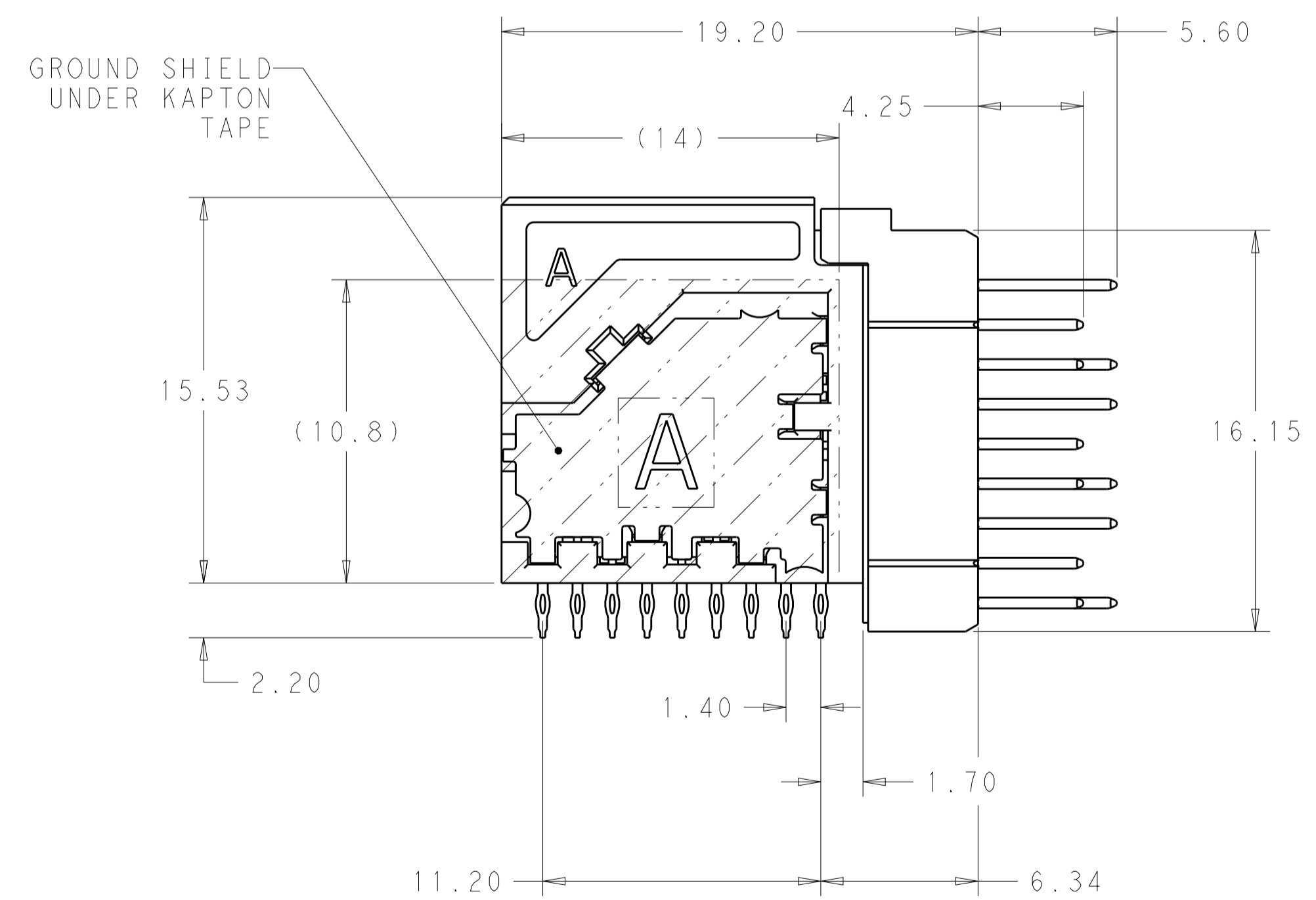
LOC	DIST	REV	DATE	BY	APPV
-	-	D	12-8-14	CT	DH



RECOMMENDED PC BOARD LAYOUT
COMPONENT SIDE SHOWN
SCALE 10:1

○ = SIGNAL
⊗ = GROUND

- 1 MATERIAL:
CONTACT AND SHIELD: COPPER ALLOY
HOUSING AND CHICKLET: LCP, COLOR: BLACK
TAPE: POLYIMIDE FILM WITH SILICONE ADHESIVE
- 2 FINISH:
CONTACT: MATING AREA: 1.27µm MIN GOLD OVER
1.27µm MIN NICKEL
COMPLIANT PIN: 0.5µm MIN MATTE TIN OVER
1.27µm MIN NICKEL
SHIELD: 1.27µm MIN NICKEL
- 3 DIMENSION APPLIES TO CENTERLINE OF THRU HOLE
- 4 PER APPLICATION SPEC 114-13267 MANUFACTURING TOLERANCES FOR
Ø0.46±.06 FINISHED HOLE WITH SnPb PLATING
DRILLED HOLE = Ø0.55±.025
Cu PLATING = 0.038±0.013
SnPb PLATING = 0.008±0.004
OR
Ø0.47±.055 FINISHED HOLE WITH OUT SnPb PLATING
DRILLED HOLE = Ø0.55±.025
Cu PLATING = 0.038±0.013
- 5 GROUNDS ARE CONNECTED THROUGH GROUNDING SHIELD. GROUNDS DO NOT APPLY TO SINGLE ENDED MODULE.
- 6 SEE PRINT 2102427-1 FOR DIMENSIONS
- 7 FINISH:
CONTACT: MATING AREA: 1.27µm MIN GOLD OVER
1.27µm MIN NICKEL
COMPLIANT PIN: 0.5µm MIN BRIGHT TIN LEAD OVER
1.27µm MIN NICKEL
SHIELD: 1.27µm MIN NICKEL



2102436-1, 2102436-3

FINISH	DESCRIPTION	PART NUMBER
1	SINGLE ENDED	2102436-4
1	DIFFERENTIAL PAIR	2102436-3
2	SINGLE ENDED	2102436-2
2	DIFFERENTIAL PAIR	2102436-1

THIS DRAWING IS A CONTROLLED DOCUMENT.		DWN: D. BELACK CHK: K. MILLER APPV: K. THACKSTON	TOMAR2011	TE Connectivity Fortis Zd, METAL SHELL LRU, RIGHT ANGLE HEADER, MODULE	
DIMENSIONS: mm	TOLERANCES UNLESS OTHERWISE SPECIFIED:	PRODUCT SPEC: 108-2409	APPLICATION SPEC: 114-13267	SIZE: A1	CAGE CODE: 00779
MATERIAL: SEE TABLE	FINISH: SEE TABLE	WEIGHT: ~12.08 g	SCALE: 1:1	SHEET: 1 OF 2	REV: D

X-ON Electronics

Largest Supplier of Electrical and Electronic Components

Click to view similar products for [High Speed/Modular Connectors](#) category:

Click to view products by [TE Connectivity](#) manufacturer:

Other Similar products are found below :

[650827-1](#) [74040-1346](#) [1410191-1](#) [1410368-3](#) [1410964-2](#) [1410326-3](#) [1410367-3](#) [1410971-4](#) [1467833-1](#) [2000877-1](#) [2000878-1](#) [2041314-1](#)
[2065387-1](#) [2187307-1](#) [163P](#) [1934290-1](#) [2000875-1](#) [2065917-1](#) [2102736-2](#) [FSR-40](#) [2169868-2](#) [22354-8](#) [437-5040-000](#) [5-1393565-0](#) [039-](#)
[0246-000](#) [0761601016](#) [0784461022](#) [10123159-12ELF](#) [030-2415-003/100 PK](#) [030-7380-004](#) [030-2494-001](#) [532939-1](#) [5532901-3](#) [3-1469268-](#)
[7](#) [74748-102LF](#) [73670-0247](#) [10041743-101LF](#) [10066670-100002LF](#) [1-533915-1](#) [249-4515-000](#) [7-1469373-3](#) [DL2-2J/S](#) [2000713-8](#)
[2000713-7](#) [10124313-101LF](#) [3011-21](#) [757105208](#) [EBTF-4-10-2.0-S-RA-1](#) [430305-001](#) [4395800100](#)