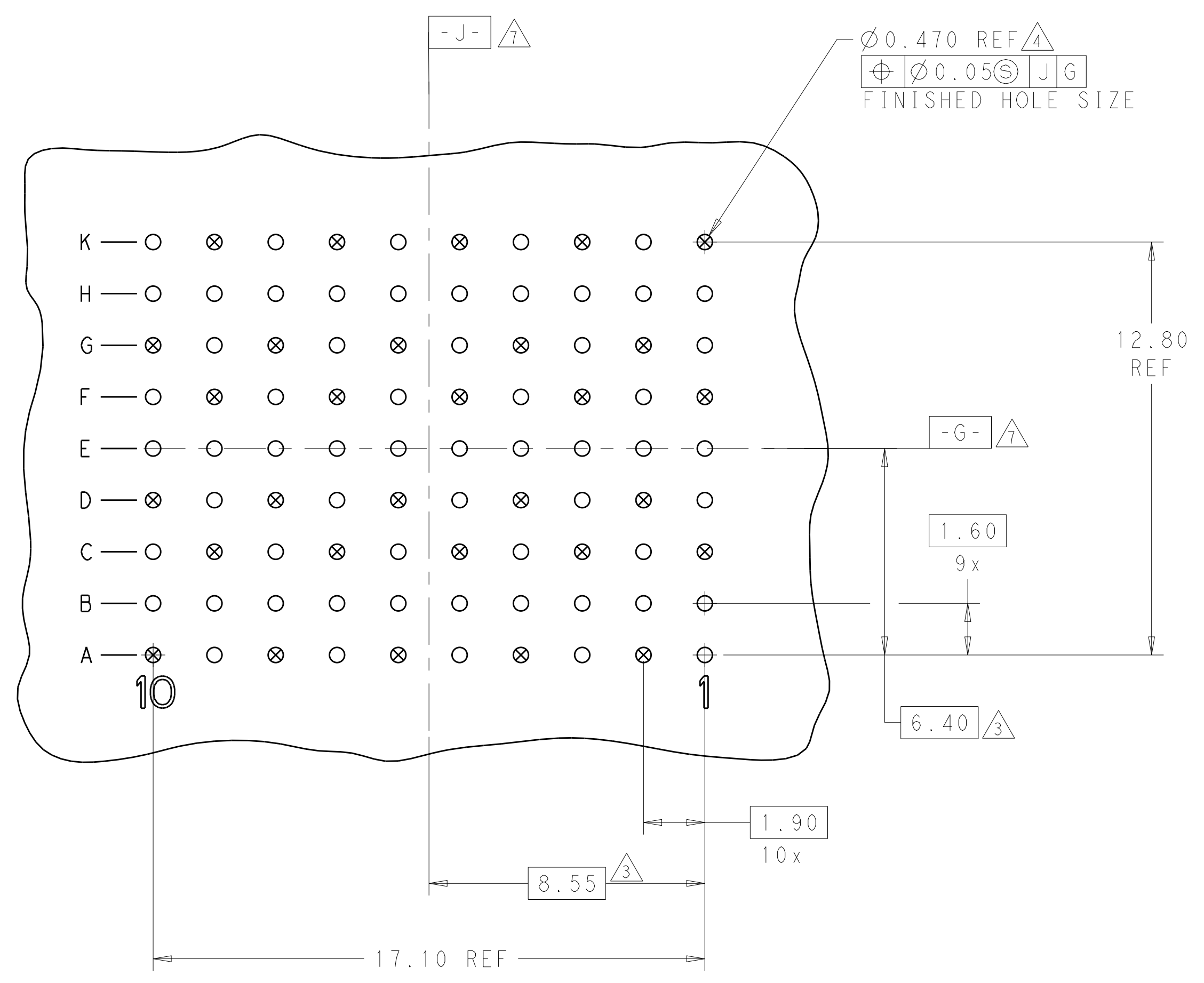


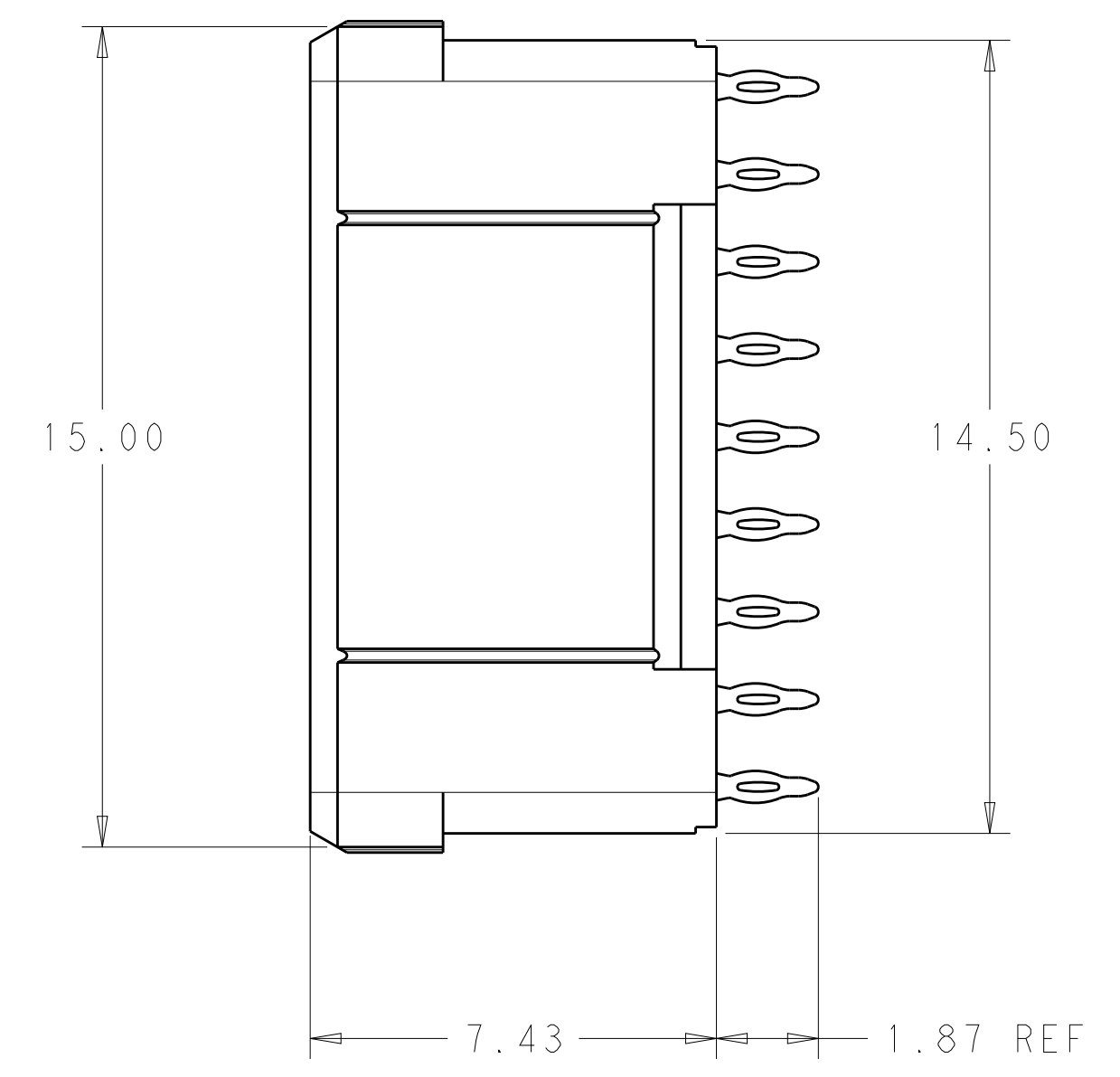
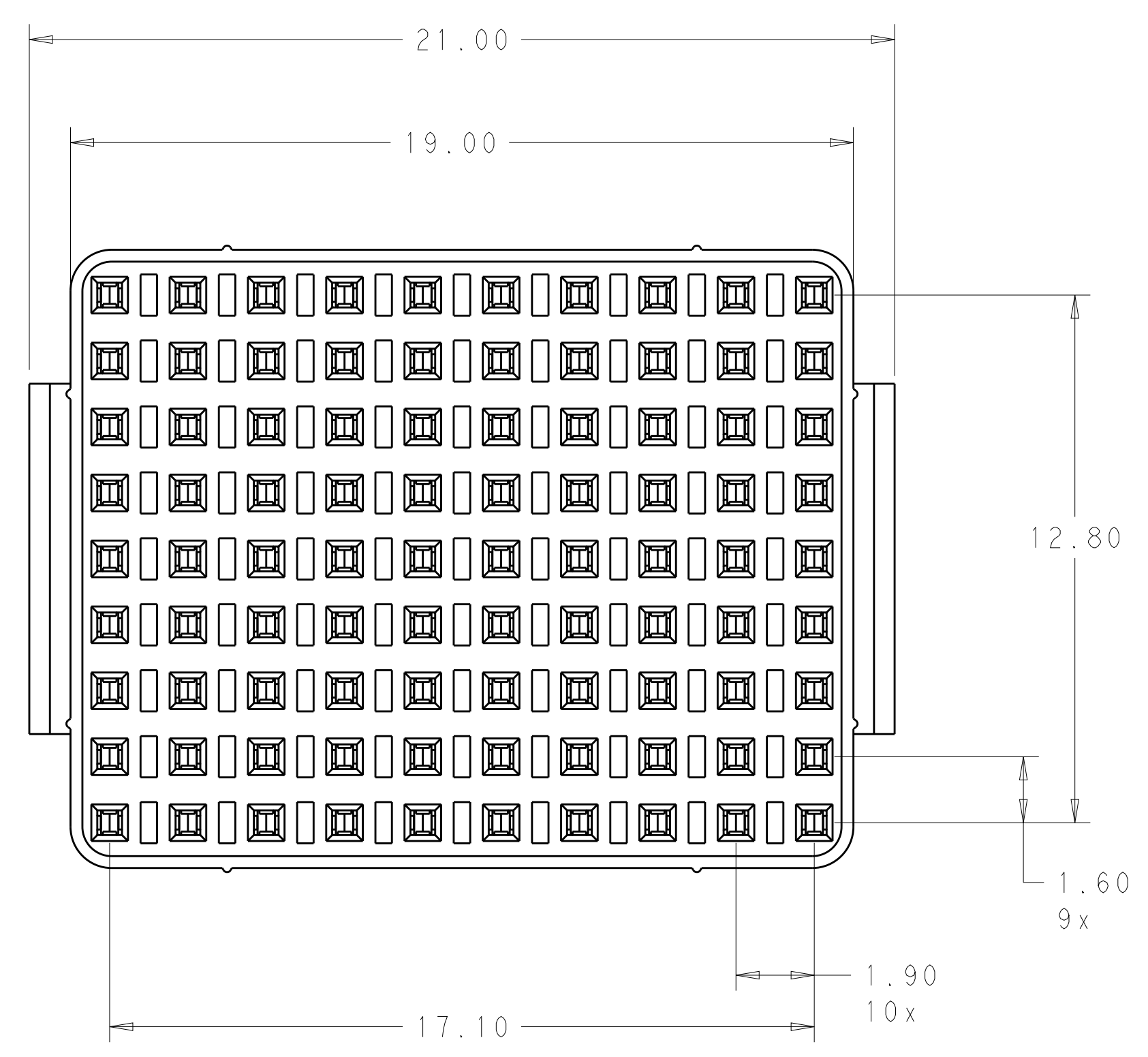
LOC	DIST	REV	DATE	BY	CHK	APPV
		A	27SEP2013	DCB	KT	
		B	29MAY2014	BY	KMT	



RECOMMENDED PC BOARD LAYOUT
COMPONENT SIDE SHOWN
SCALE 8:1

○ = SIGNAL
⊗ = GROUND

- 1 MATERIAL:
CONTACT - COPPER ALLOY
HOUSING - LCP, COLOR: BLACK
- 2 FINISH:
MATING AREA: 1.27µm MIN GOLD OVER
1.27µm MIN NICKEL
COMPLIANT PIN: 0.38µm MIN MATTE TIN OVER
1.27µm MIN NICKEL
- 3 DIMENSION APPLIES TO CENTERLINE OF THRU HOLE
- 4 PER APPLICATION SPEC 114-13267 MANUFACTURING TOLERANCES FOR
Ø0.46±.06 FINISHED HOLE WITH SnPb PLATING
DRILLED HOLE = Ø0.55±.025
Cu PLATING = 0.038±0.013
SnPb PLATING = 0.008±0.004
OR
Ø0.47±.055 FINISHED HOLE WITH OUT SnPb PLATING
DRILLED HOLE = Ø0.55±.025
Cu PLATING = 0.038±0.013
- 5 GROUNDS APPLY WHEN USING 2102436-1 & 2102436-3 MODULE
- 6 FINISH:
MATING AREA: 1.27µm MIN GOLD OVER
1.27µm MIN NICKEL
COMPLIANT TAIL: 0.5µm MIN BRIGHT TIN LEAD OVER
1.27µm MIN NICKEL
- 7 REFERENCE PRINT 2102428 FOR DIMENSIONS.



6	2102438-2
2	2102438-1
FINISH	PART NUMBER

THIS DRAWING IS A CONTROLLED DOCUMENT.		DWN D. BELACK	10MAR2011	TE Connectivity	
DIMENSIONS: mm		CHK K. MILLER		NAME Fortis Zd, METAL SHELL LRU, VERTICAL MINI-BOX MODULE	
TOLERANCES UNLESS OTHERWISE SPECIFIED:		APVD K. THACKSTON		PRODUCT SPEC 108-2409	
0 PLC ±.13				APPLICATION SPEC 114-13267	
1 PLC ±0.10				SIZE 114-13267	
2 PLC ±.08				WEIGHT ~ 3.04g	
3 PLC ±.07				SCALE 8:1	
4 PLC ±.06				SHEET 1 OF 1	
ANGLES ±.2°				REV B	
FINISH SEE TABLE				CUSTOMER DRAWING	

X-ON Electronics

Largest Supplier of Electrical and Electronic Components

Click to view similar products for [High Speed/Modular Connectors](#) category:

Click to view products by [TE Connectivity](#) manufacturer:

Other Similar products are found below :

[650827-1](#) [74040-1346](#) [1410191-1](#) [1410368-3](#) [1410964-2](#) [1410326-3](#) [1410367-3](#) [1410971-4](#) [1467833-1](#) [2000877-1](#) [2000878-1](#) [2041314-1](#)
[2065387-1](#) [2187307-1](#) [163P](#) [1934290-1](#) [2000875-1](#) [2065917-1](#) [2102736-2](#) [FSR-40](#) [2169868-2](#) [22354-8](#) [437-5040-000](#) [5-1393565-0](#) [039-](#)
[0246-000](#) [0740618502](#) [0761601016](#) [0784461022](#) [10123159-12ELF](#) [030-2415-003/100 PK](#) [030-7380-004](#) [030-2494-001](#) [532939-1](#) [5532901-](#)
[3](#) [3-1469268-7](#) [74748-102LF](#) [10041743-101LF](#) [10066670-100002LF](#) [1-533915-1](#) [249-4515-000](#) [7-1469373-3](#) [DL2-2J/S](#) [2000713-8](#)
[2000713-7](#) [10124313-101LF](#) [3011-21](#) [757105208](#) [430305-001](#) [4395800100](#) [8140115](#)