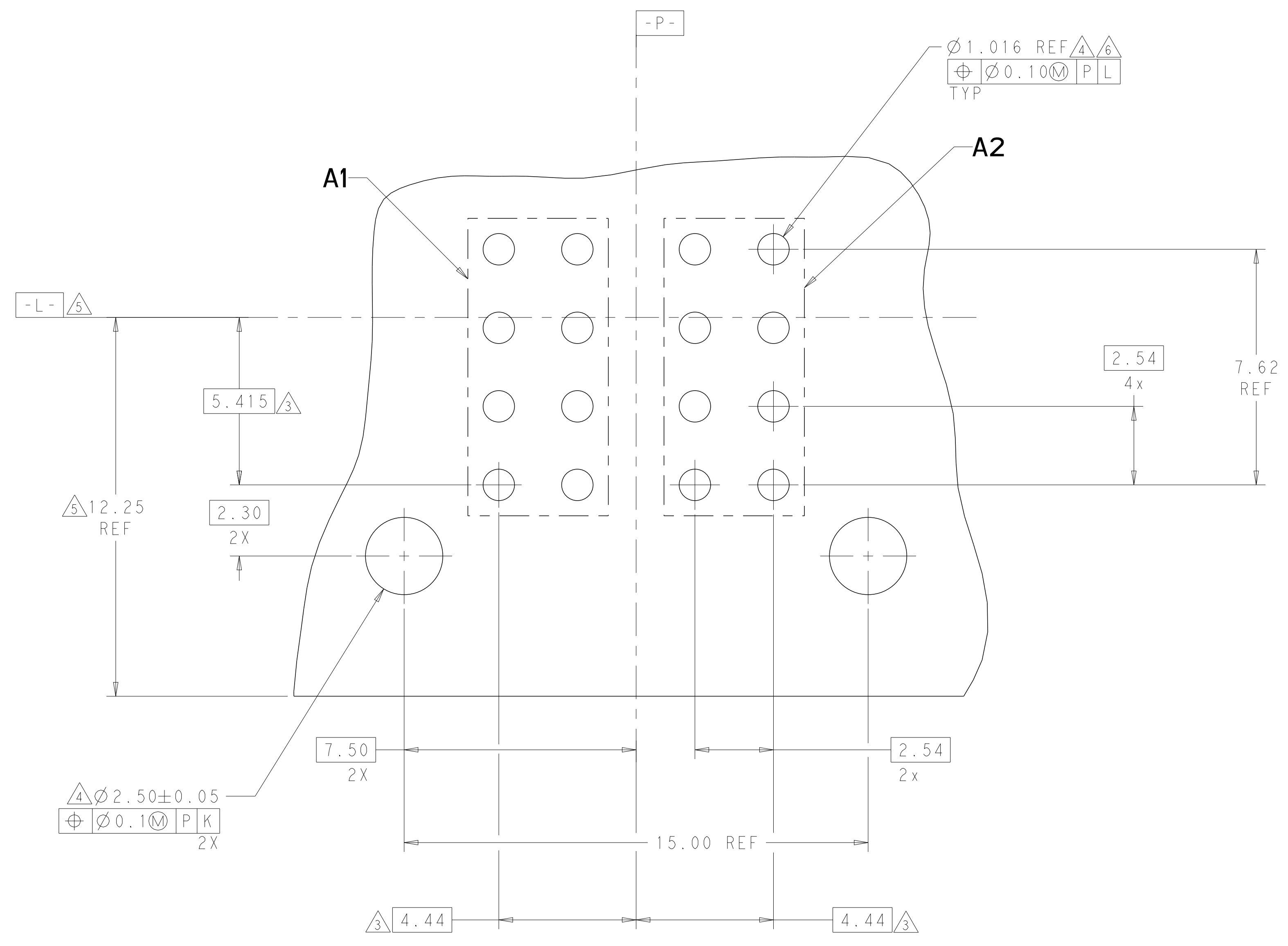
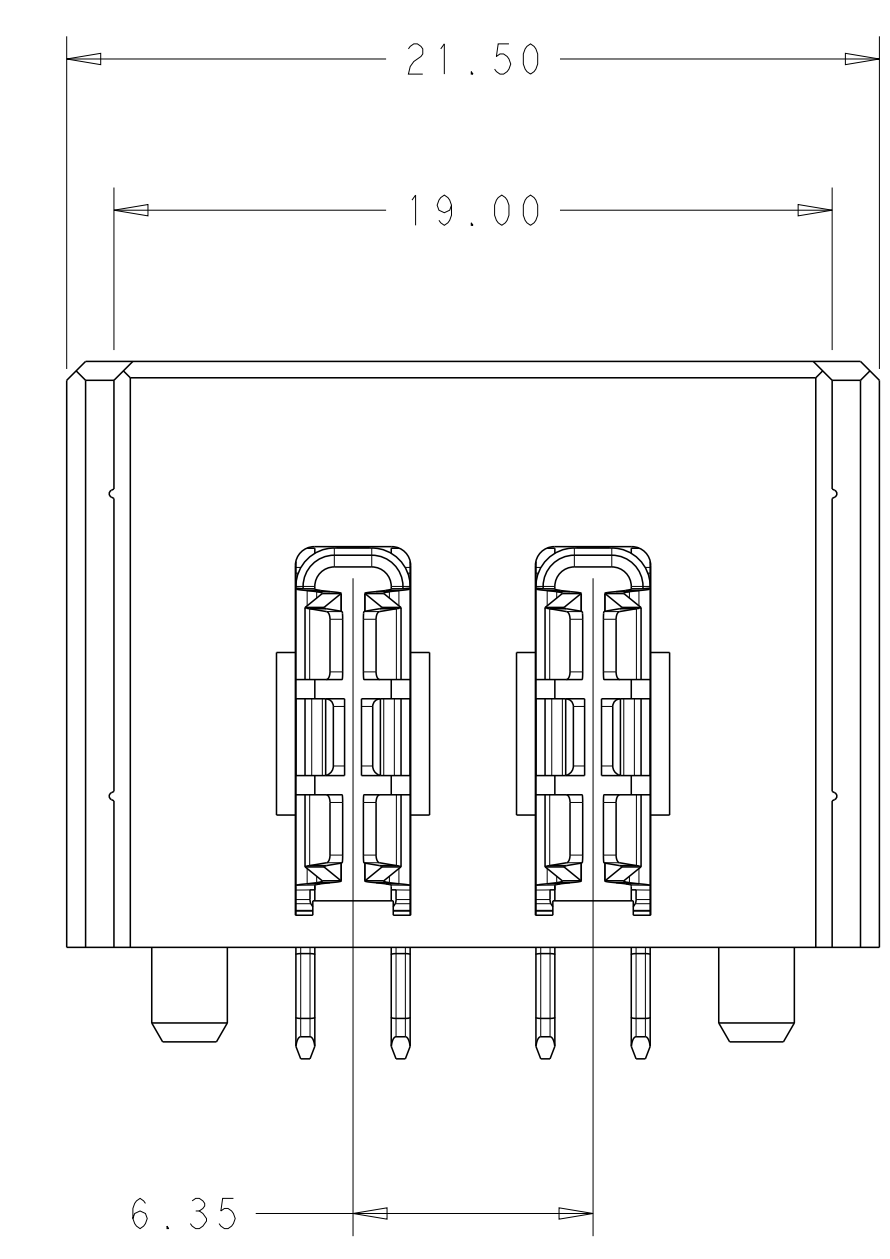
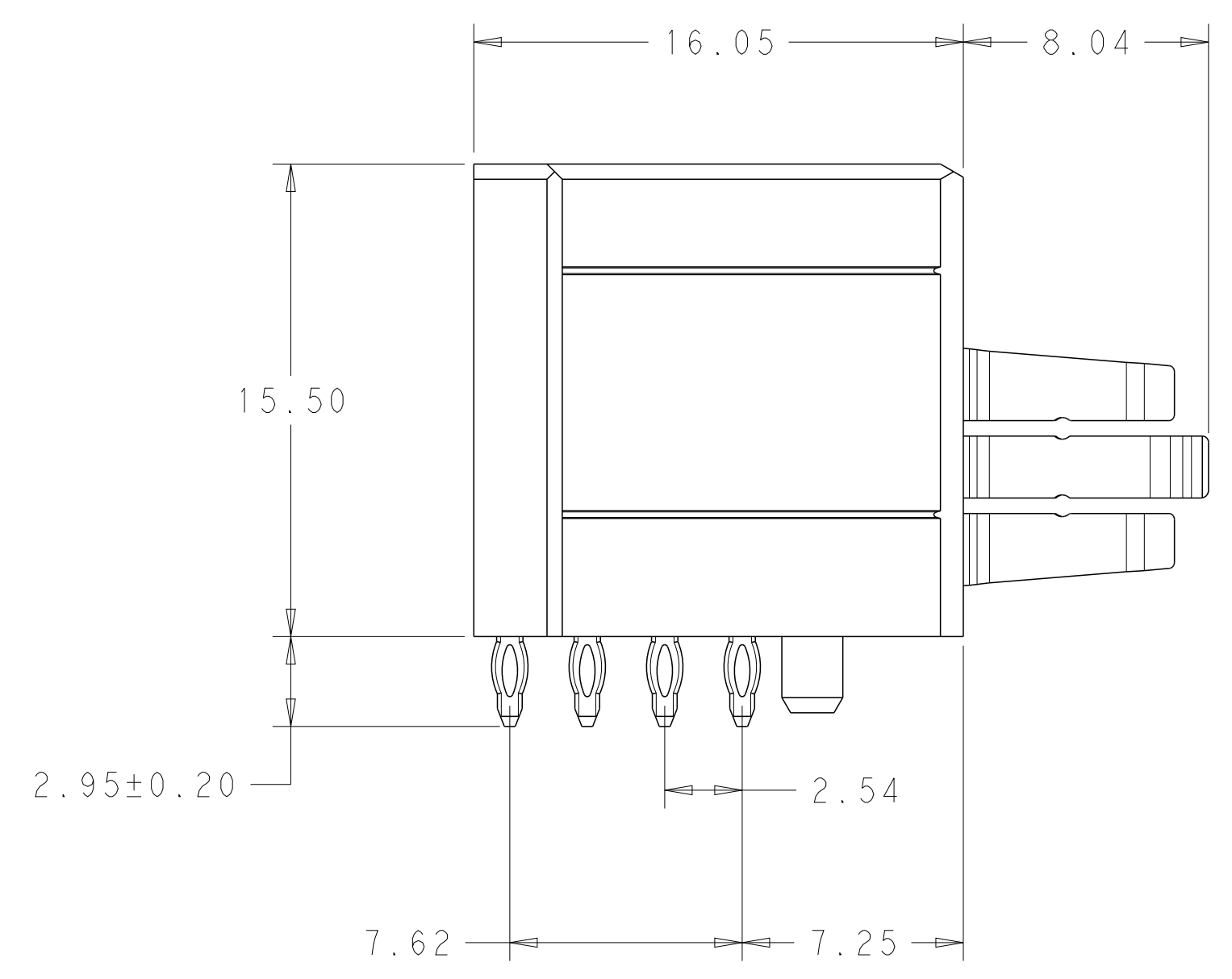


LOC	DIST	REV	DATE	BY	CHK	APPV
-	-	C	12-15-14	CT	DH	
-	-	D	30MAR2016	RS	CT	



RECOMMENDED PC BOARD LAYOUT  
COMPONENT SIDE SHOWN  
SCALE 10:1



- 1 MATERIAL:  
CONTACT - COPPER ALLOY  
HOUSING - LCP, COLOR - BLACK
- 2 FINISH:  
MATING AREA: 0.76µm GOLD OVER  
1.27µm NICKEL  
COMPLIANT PIN AREA: 2.54µm MATTE TIN OVER  
1.27µm NICKEL
- 3 DIMENSION APPLIES TO CENTERLINE OF THRU HOLE.
- 4 PCB - ALL HOLE DIAMETERS ARE FINISHED HOLE SIZES.
- 5 SEE PRINT 2102427-1 FOR DIMENSIONS
- 6 REFERENCE APPLICATION SPEC 114-13251 FOR RECOMMENDED PLATED THRU HOLE DIAMETER AND PLATING THICKNESS.

△	2102440-1
FINISH	PART NUMBER

THIS DRAWING IS A CONTROLLED DOCUMENT.		OWN: D. BELACK 10MAR2011	TE Connectivity	
DIMENSIONS: mm		CHK: K. THACKSTON	NAME: HIGH POWER, METAL SHELL LRU, RIGHT ANGLE HEADER, MODULE	
TOLERANCES UNLESS OTHERWISE SPECIFIED:		APV: M. McALONIS	PRODUCT SPEC: 108-2474	
0 PLC ±0.13		APPLICATION SPEC: 114-13251		
1 PLC ±0.10		SIZE: CAGE CODE DRAWING NO: A100779C=2102440		
2 PLC ±0.08		RESTRICTED TO: -		
3 PLC ±0.05		WEIGHT: ~ 7.88g		
4 PLC ±0.02		CUSTOMER DRAWING		
ANGLES ±2°		SCALE: 5:1 SHEET 1 OF 1 REV D		
FINISH: SEE TABLE				

## X-ON Electronics

Largest Supplier of Electrical and Electronic Components

*Click to view similar products for [Rack & Panel Connectors](#) category:*

*Click to view products by [TE Connectivity](#) manufacturer:*

Other Similar products are found below :

[00171410002](#) [00171420202](#) [00171440002](#) [02-014-013-5200-000](#) [613467-000](#) [CTJ112E01E-513](#) [CTJ116E03A-513](#) [66020-2](#) [CW8958-000](#)  
[699886-000](#) [D250-50632](#) [70.400.3240.0](#) [70.955.2453.3](#) [733753-000](#) [F22831-000](#) [780-522-DPX34RG8-02](#) [8660-501](#) [87.060.0053.0](#)  
[900709N001](#) [928358-1](#) [D-659-0061](#) [1-445717-6](#) [1484469-2](#) [1604997-2](#) [MTC100-BF1-P31CS015](#) [MTC100-KT2-0083](#) [MTC100-KT2-0123-](#)  
[003](#) [MTC100-YA1-005](#) [MTCQKT1R2PGCA](#) [MTCR-103-04S](#) [MTCX1X-100-100CS025](#) [1738331-1](#) [1757667-1](#) [1811481-1](#) [1883433-1](#)  
[201046-7](#) [202648-4](#) [205269-1](#) [213364-1](#) [226503-000](#) [937028-164](#) [1663130-2](#) [172305-4](#) [AC-660022-701BP](#) [F36711-000](#) [202355-2](#) [202356-](#)  
[2](#) [G16S-A](#) [G20S-AB](#) [CHA-0017-003](#)