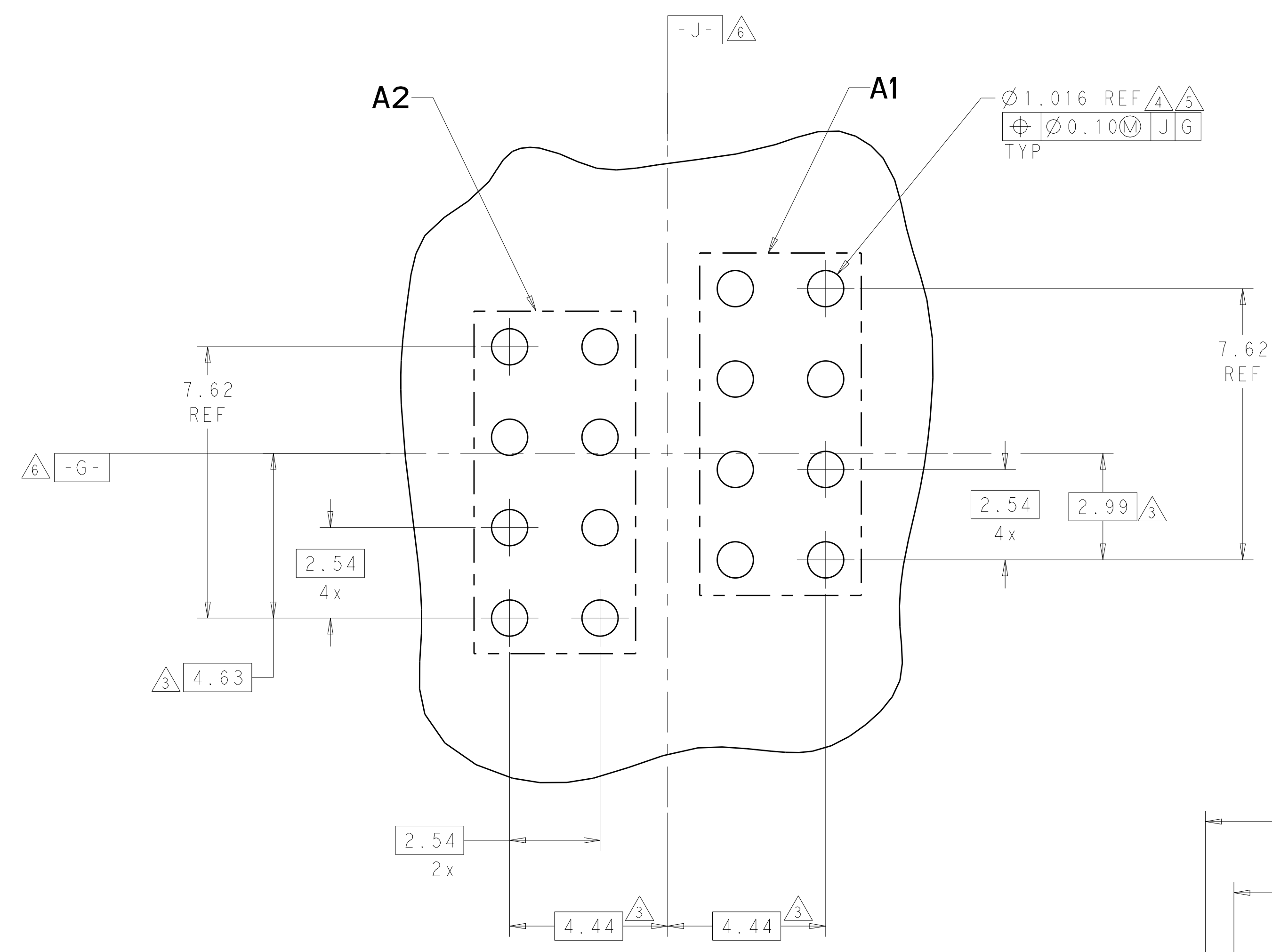
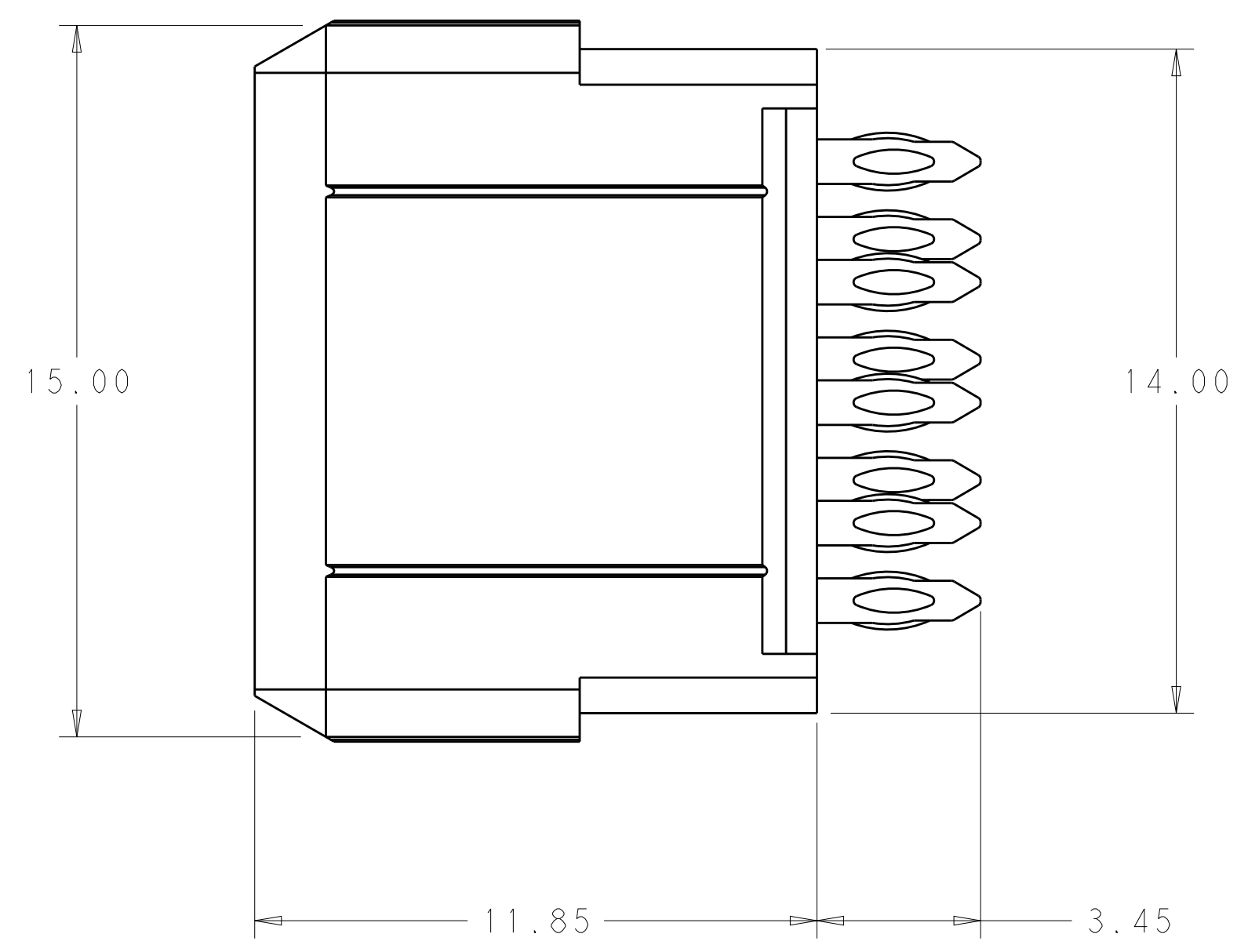
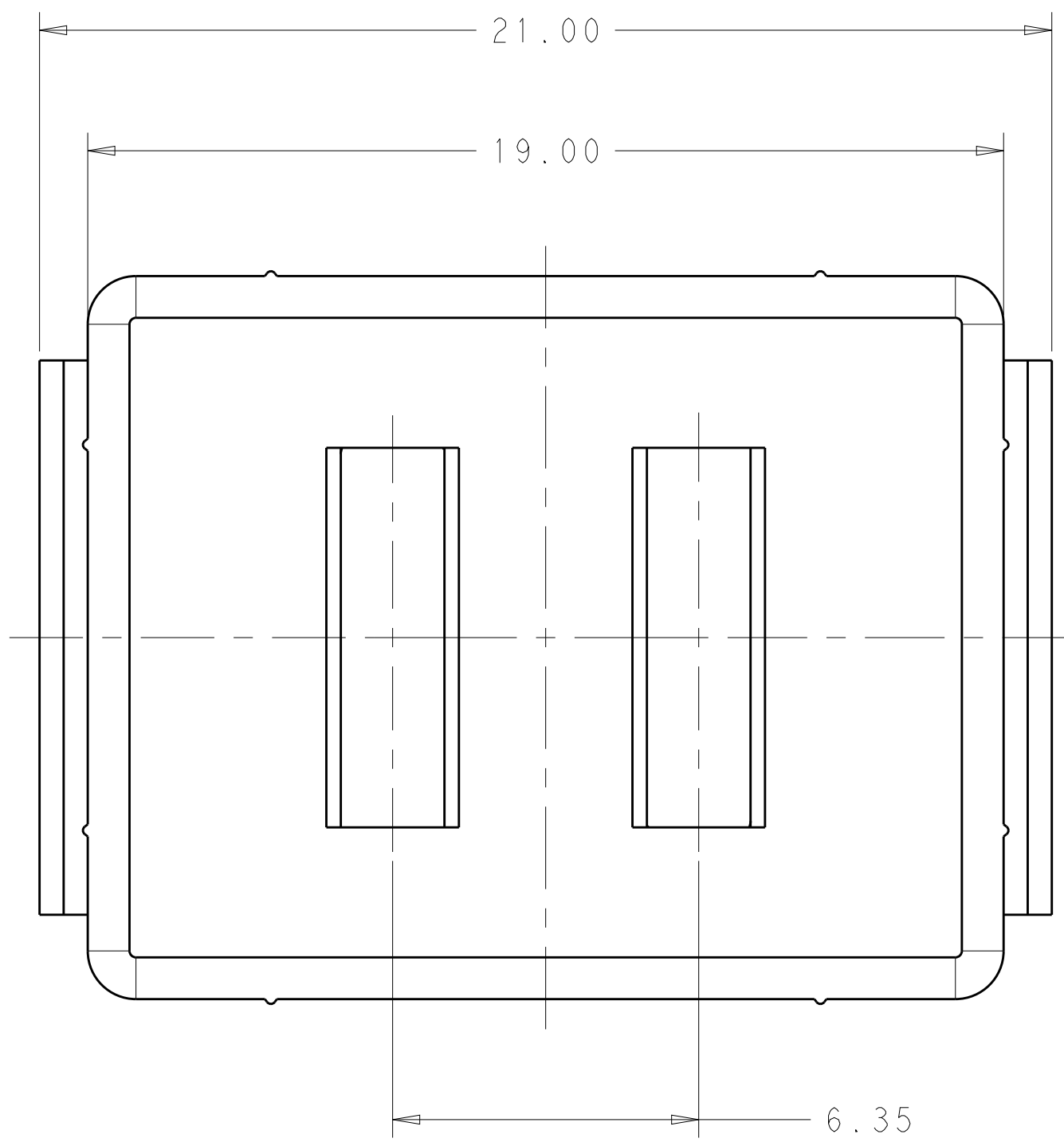


LOC		DIST		REVISIONS			
P	LTN	DESCRIPTION	DATE	DWN	APVD		
C		REV PER ECO 14-018159	12-15-14	CT	DH		
D		REVISED PER ECO-16-002176	30MAR2016	RS	CT		



RECOMMENDED PC BOARD LAYOUT  
 COMPONENT SIDE SHOWN  
 SCALE 10:1



- ① MATERIAL:  
 CONTACT - COPPER ALLOY  
 HOUSING - LCP, COLOR - BLACK
- ② FINISH:  
 MATING AREA: 0.76µm MIN GOLD OVER  
 1.27µm MIN NICKEL  
 COMPLIANT PIN AREA: 2.54µm MIN MATTE TIN
- ③ DIMENSION APPLIES TO CENTERLINE OF THRU HOLE.
- ④ PCB - ALL HOLE DIAMETERS ARE FINISHED HOLE SIZES.
- ⑤ REFERENCE APPLICATION SPEC 114-13251 FOR RECOMMENDED PLATED THRU HOLE DIAMETER AND PLATING THICKNESS.
- ⑥ REFERENCE PRINT 2102428 FOR DIMENSIONS.

THIS DRAWING IS A CONTROLLED DOCUMENT.		DWN D. BELACK	10MAR2011	2102442-1	
DIMENSIONS: mm		CHK K. THACKSTON	APVD M. McALONIS	NAME HIGH POWER, METAL SHELL LRU, VERTICAL SOCKET MODULE	
TOLERANCES UNLESS OTHERWISE SPECIFIED: 0 PLC ±0.13 1 PLC ±0.10 2 PLC ±0.10 3 PLC ±0.10 4 PLC ±0.10 ANGLES ±2°		PRODUCT SPEC 108-2474	APPLICATION SPEC 114-13251	SIZE A100779	DRAWING NO C=2102442
MATERIAL SEE TABLE		WEIGHT ~ 4.93g	CUSTOMER DRAWING	SCALE 8:1	SHEET 1 OF 1 REV D

## X-ON Electronics

Largest Supplier of Electrical and Electronic Components

*Click to view similar products for [High Speed/Modular Connectors](#) category:*

*Click to view products by [TE Connectivity](#) manufacturer:*

Other Similar products are found below :

[650827-1](#) [74040-1346](#) [1410191-1](#) [1410368-3](#) [1410964-2](#) [1410326-3](#) [1410367-3](#) [1410971-4](#) [1467833-1](#) [2000877-1](#) [2000878-1](#) [2041314-1](#)  
[2065387-1](#) [2187307-1](#) [163P](#) [1934290-1](#) [2000875-1](#) [2065917-1](#) [2102736-2](#) [FSR-40](#) [2169868-2](#) [22354-8](#) [437-5040-000](#) [5-1393565-0](#) [039-](#)  
[0246-000](#) [0761601016](#) [0784461022](#) [10123159-12ELF](#) [030-2415-003/100 PK](#) [030-7380-004](#) [030-2494-001](#) [532939-1](#) [5532901-3](#) [3-1469268-](#)  
[7](#) [74748-102LF](#) [73670-0247](#) [10041743-101LF](#) [10066670-100002LF](#) [1-533915-1](#) [249-4515-000](#) [7-1469373-3](#) [DL2-2J/S](#) [2000713-8](#)  
[2000713-7](#) [10124313-101LF](#) [3011-21](#) [757105208](#) [EBTF-4-10-2.0-S-RA-1](#) [430305-001](#) [4395800100](#)