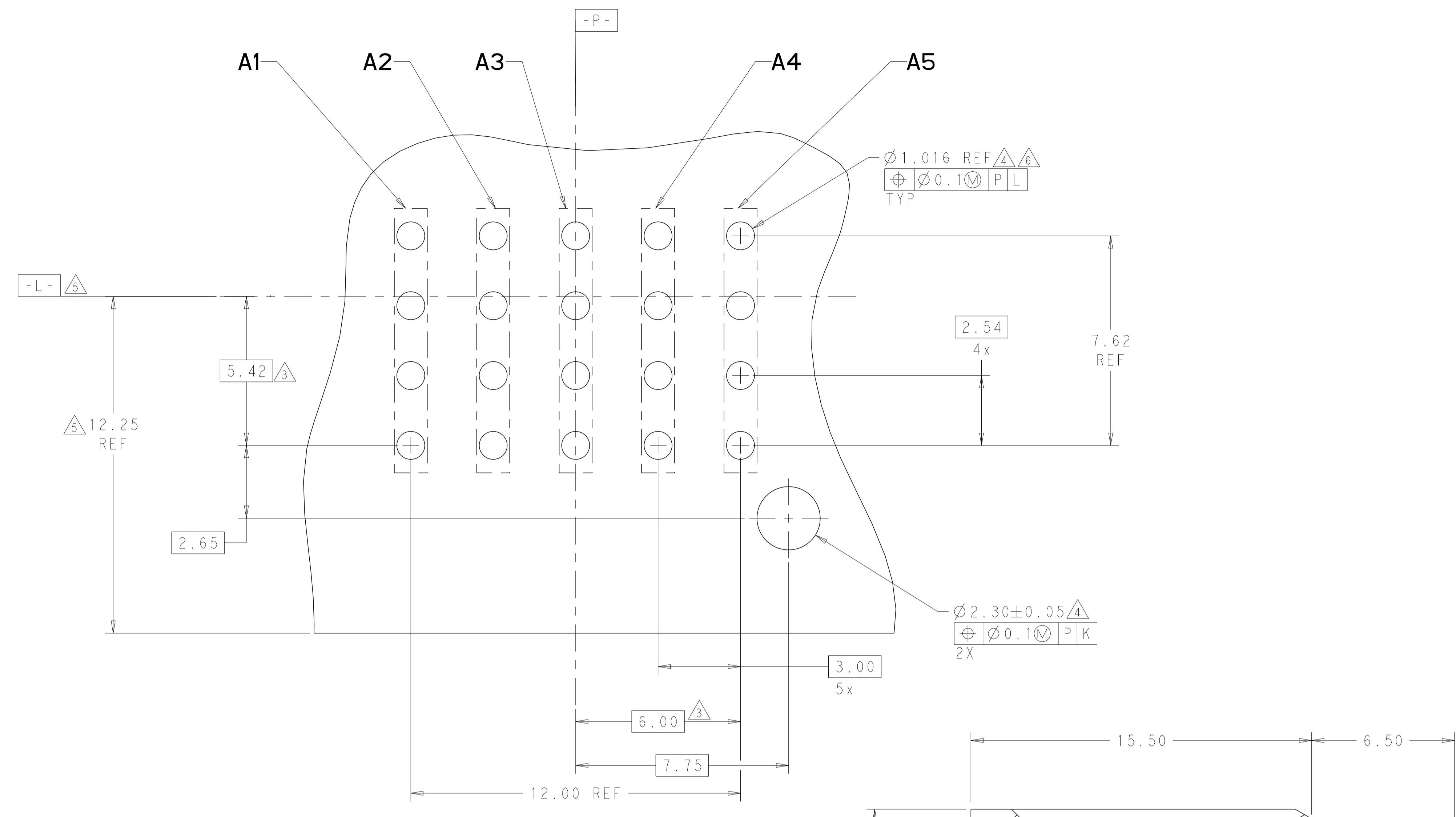
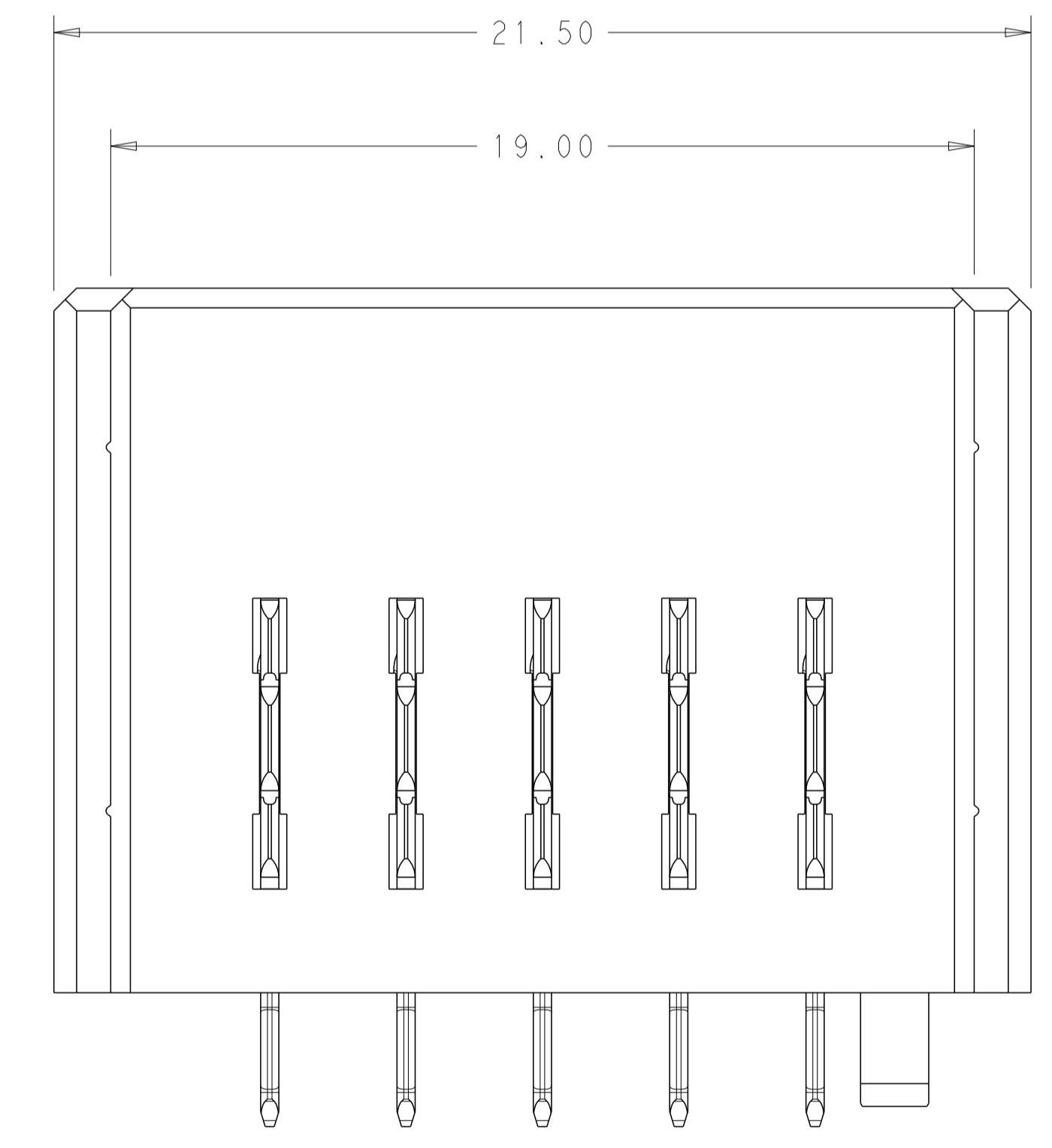
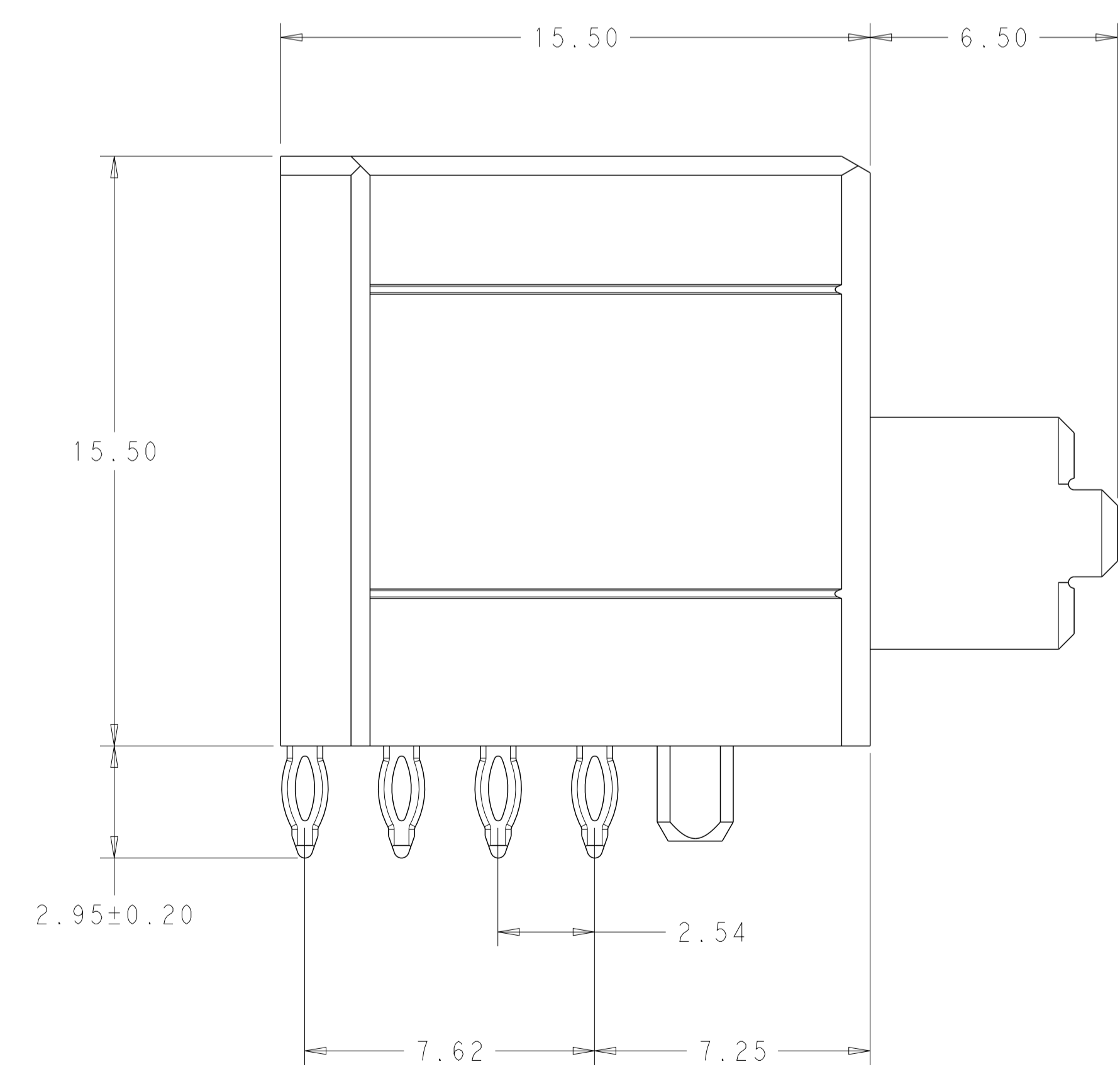


LOC		DIST		REVISIONS			
P	LTN	DESCRIPTION	DATE	DWN	APVD		
C		REV PER ECO 14-018159	12-15-14	CT	DH		
D		REVISED PER ECO-16-002176	30MAR2016	RS	CT		



RECOMMENDED PC BOARD LAYOUT
COMPONENT SIDE SHOWN
SCALE 10:1



- 1 MATERIAL:
CONTACT - COPPER ALLOY
HOUSING - LCP, COLOR - BLACK
- 2 FINISH:
MATING AREA: 0.76 μm MIN GOLD OVER
2.54 μm MIN NICKEL
COMPLIANT PIN AREA: 0.76 μm MIN MATTE TIN OVER
2.54 μm MIN NICKEL
- 3 DIMENSION APPLIES TO CENTERLINE OF THRU HOLE.
- 4 PCB - ALL HOLE DIAMETERS ARE FINISHED HOLE SIZES.
- 5 SEE PRINT 2102427-1 FOR DIMENSIONS
- 6 REFERENCE APPLICATION SPEC 114-13251 FOR RECOMMENDED PLATED THRU HOLE DIAMETER AND PLATING THICKNESS.

2	2102444-1
FINISH	PART NUMBER

THIS DRAWING IS A CONTROLLED DOCUMENT.		DWN D. BELACK	11MAR2011	TE Connectivity	
DIMENSIONS: mm		CHK K. THACKSTON	APVD M. McALONIS	NAME LOW POWER, METAL SHELL LRU, RIGHT ANGLE HEADER, MODULE	
TOLERANCES UNLESS OTHERWISE SPECIFIED:		PRODUCT SPEC 108-2474		RESTRICTED TO	
0 PLC ±0.13		APPLICATION SPEC 114-13251		SIZE CAGE CODE DRAWING NO	
1 PLC ±0.10		WEIGHT ~8.53g		A100779C=2102444	
2 PLC ±0.08		CUSTOMER DRAWING		SCALE 8:1 SHEET 1 OF 1 REV D	
3 PLC ±0.05					
4 PLC ±0.05					
ANGLES ±#2°					
FINISH SEE TABLE					

X-ON Electronics

Largest Supplier of Electrical and Electronic Components

Click to view similar products for [Rack & Panel Connectors](#) category:

Click to view products by [TE Connectivity](#) manufacturer:

Other Similar products are found below :

[00171410002](#) [00171420202](#) [00171440002](#) [02-014-013-5200-000](#) [613467-000](#) [CTJ112E01E-513](#) [CTJ116E03A-513](#) [66020-2](#) [CW8958-000](#)
[699886-000](#) [D250-50632](#) [70.400.3240.0](#) [70.955.2453.3](#) [733753-000](#) [F22831-000](#) [780-522-DPX34RG8-02](#) [8660-501](#) [87.060.0053.0](#)
[900709N001](#) [928358-1](#) [D-659-0061](#) [1-445717-6](#) [1484469-2](#) [1604997-2](#) [MTC100-BF1-P31CS015](#) [MTC100-KT2-0083](#) [MTC100-KT2-0123-](#)
[003](#) [MTC100-YA1-005](#) [MTCQKT1R2PGCA](#) [MTCR-103-04S](#) [MTCX1X-100-100CS025](#) [1738331-1](#) [1757667-1](#) [1811481-1](#) [1883433-1](#)
[201046-7](#) [202648-4](#) [205269-1](#) [213364-1](#) [226503-000](#) [937028-164](#) [1663130-2](#) [172305-4](#) [AC-660022-701BP](#) [F36711-000](#) [202355-2](#) [202356-](#)
[2](#) [G16S-A](#) [G20S-AB](#) [CHA-0017-003](#)