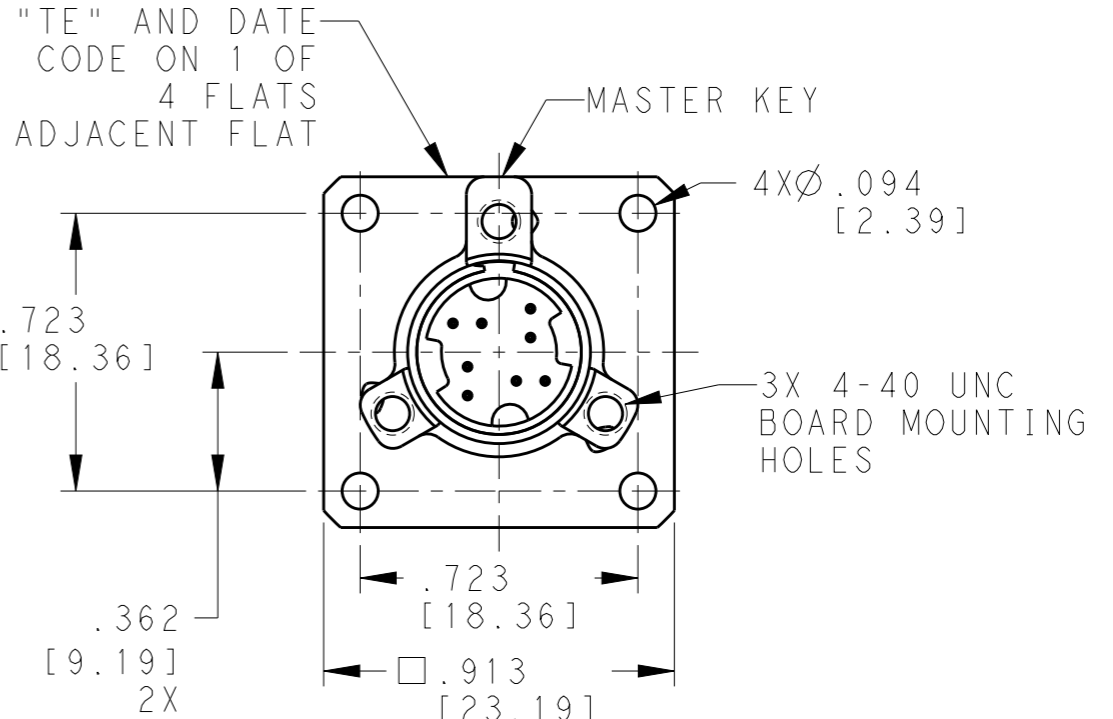
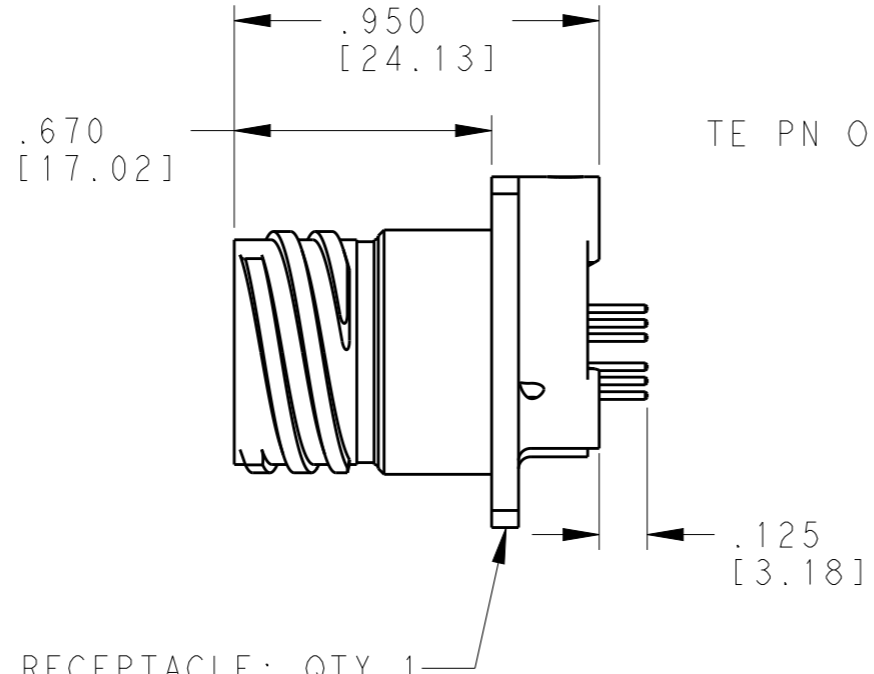
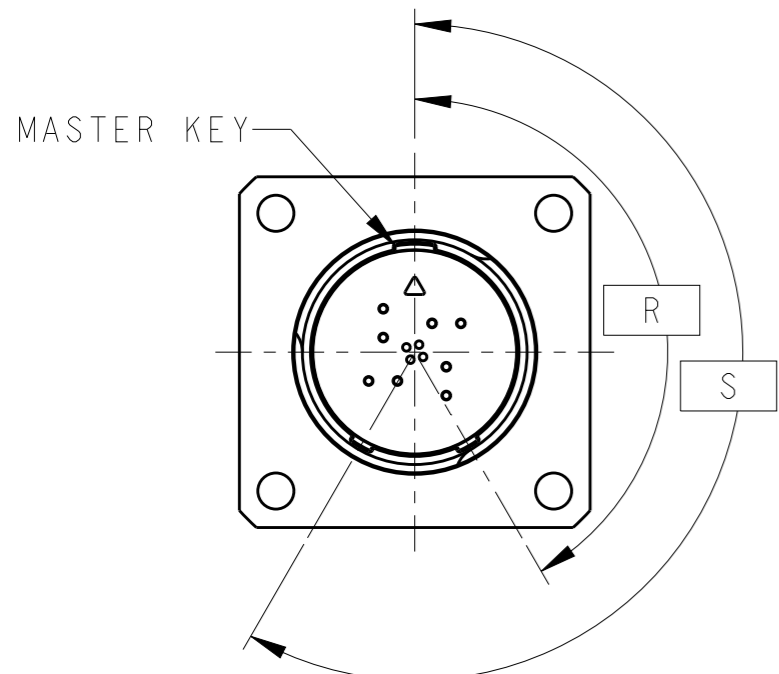
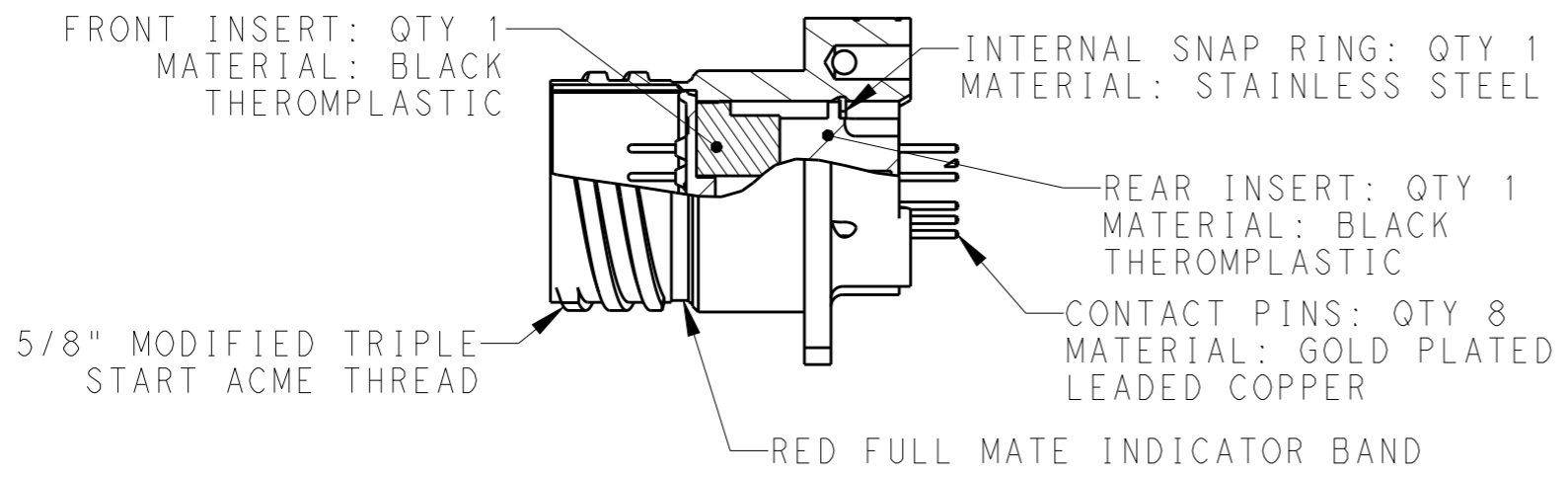
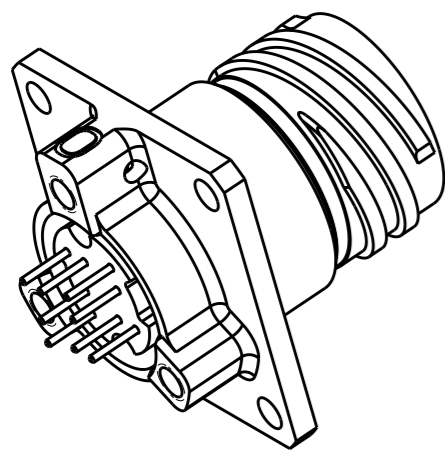


THIS DRAWING IS UNPUBLISHED. RELEASED FOR PUBLICATION
 © COPYRIGHT - BY - ALL RIGHTS RESERVED.

LOC	DIST	REVISIONS					
		P	LTR	DESCRIPTION	DATE	DWN	APVD
-	-		B	REV PER ECO 13-001557	2-12-13	CT	DM
			C	REVISED PER ECO-15-013009	03DEC15	RS	CT



RECEPTACLE: QTY 1
 MATERIAL: ALUMINUM
 FINISH: SEE TABLE



B	BLACK ZINC NICKEL PLATE	2102453-6
B	NICKEL PLATE	2102453-5
A	BLACK ZINC NICKEL PLATE	2102453-4
A	NICKEL PLATE	2102453-3
NORMAL	BLACK ZINC NICKEL PLATE	2102453-2
NORMAL	NICKEL PLATE	2102453-1
KEYING OPTION	FINISH	PART NUMBER

KEY OPTION	KEY ROTATION	
	"R"	"S"
NORMAL	150°	210°
A	140°	215°
B	132°	248°

THIS DRAWING IS A CONTROLLED DOCUMENT. DIMENSIONING AND TOLERANCING PER ASME Y14.5M (ISO STANDARDS)

DIMENSIONS: INCHES [mm]	TOLERANCES UNLESS OTHERWISE SPECIFIED: 0 PLC ±- 1 PLC ±- 2 PLC ±- 3 PLC ±.005 [0.13] 4 PLC ±- ANGLES ±-	MATERIAL -	FINISH -	DWN 18AUG2011 MCKIBBEN, JOHN	CHK 18AUG2011 DOWHOWER, KENNETH	APVD 18AUG2011 DOWHOWER, KENNETH	NAME PCB SQUARE FLANGE RECEPTACLE MOUNT ASSEMBLY
				PRODUCT SPEC 108-2482	APPLICATION SPEC 114-32025	WEIGHT -	SIZE A3
CUSTOMER DRAWING				SCALE 2:1	SHEET 1	OF 2	RESTRICTED TO -

TE Connectivity

© 2102453

REV C

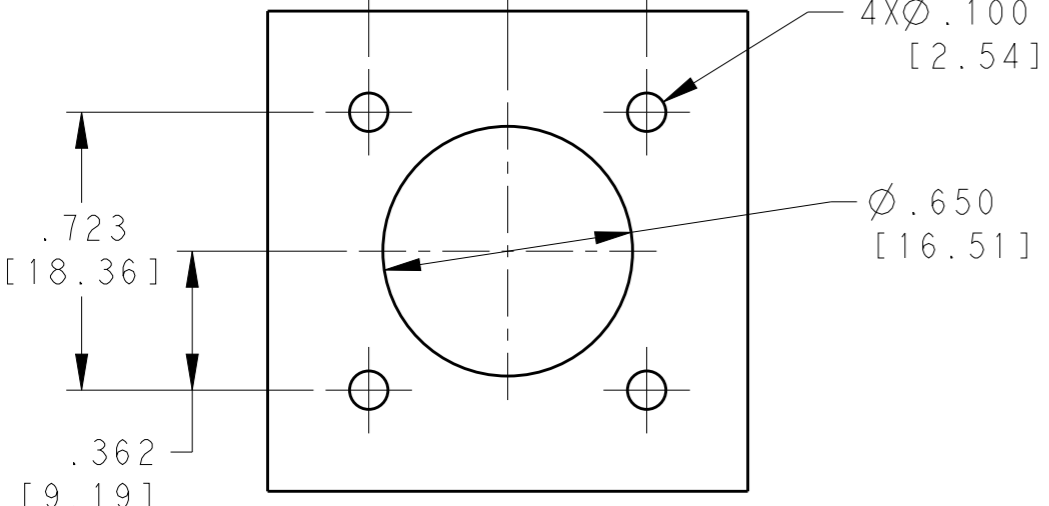
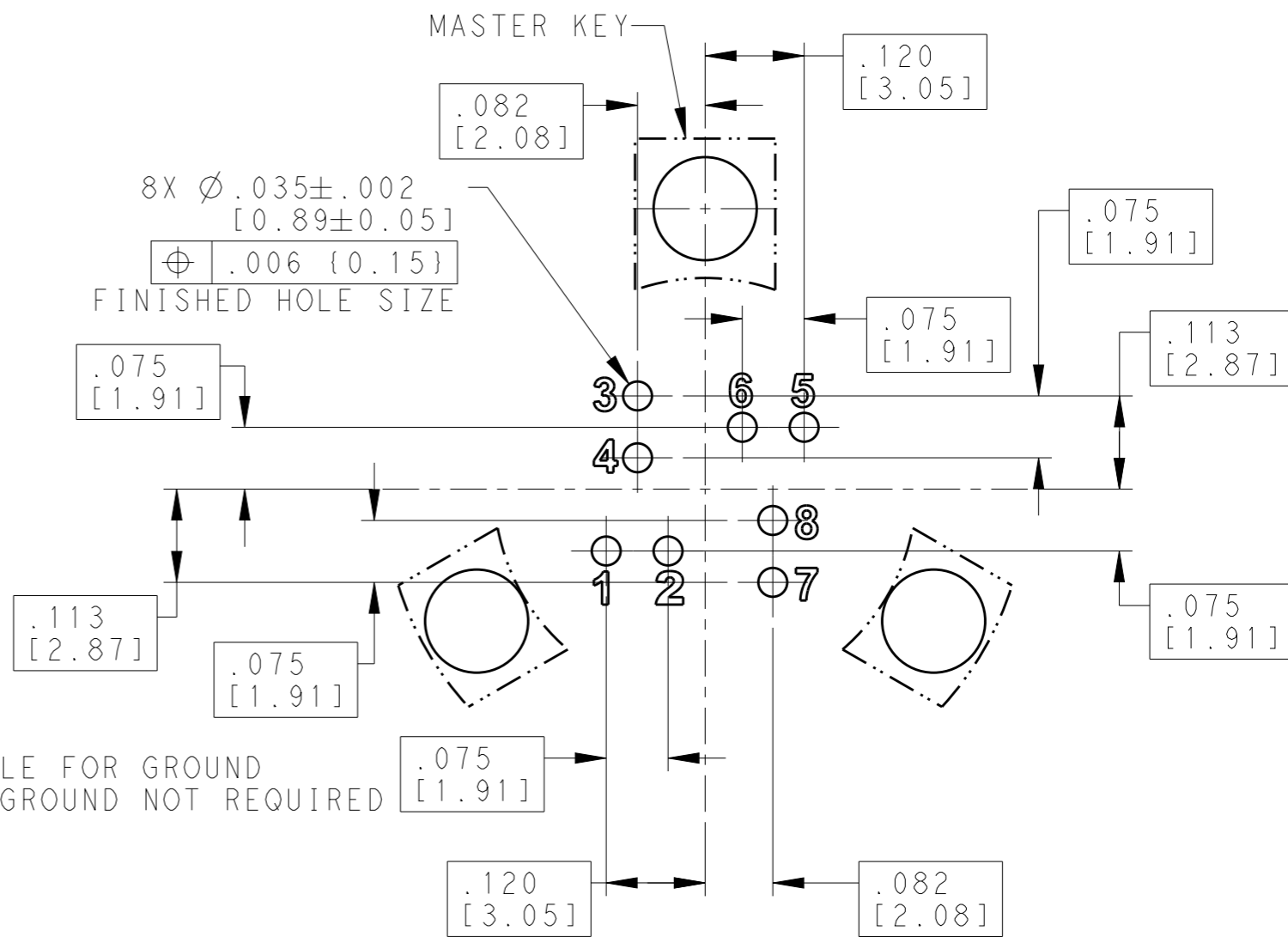
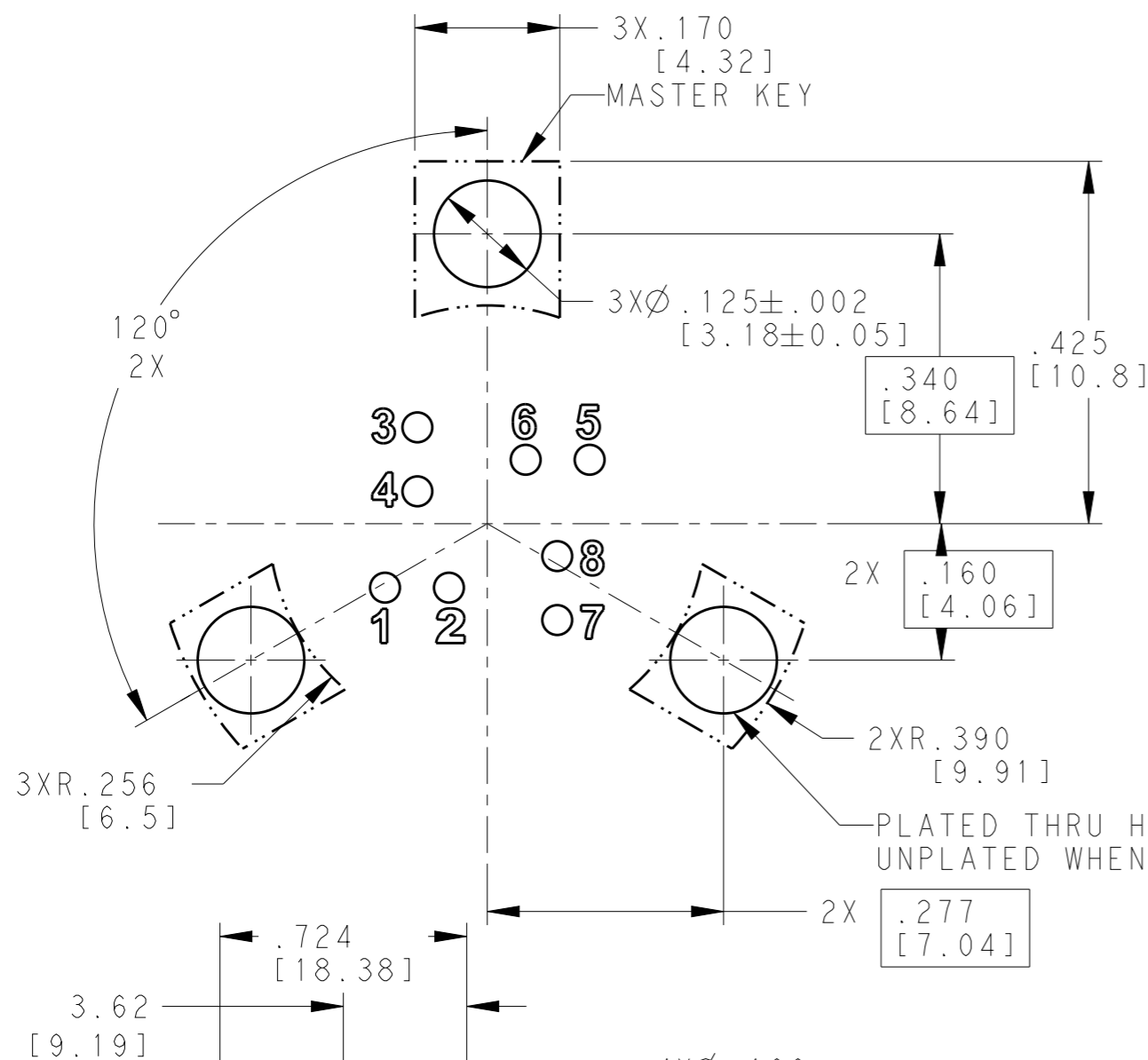
THIS DRAWING IS UNPUBLISHED.

RELEASED FOR PUBLICATION


© COPYRIGHT - BY - ALL RIGHTS RESERVED.

LOC	DIST	REVISIONS			
P	LTR	DESCRIPTION	DATE	DWN	APVD
-	-	SEE SHEET 1	-	-	-

RECOMMENDED BOARD LAYOUT



PANEL CUTOUT DIMENSIONS

THIS DRAWING IS A CONTROLLED DOCUMENT. DIMENSIONING AND TOLERANCING PER ASME Y14.5M (ISO STANDARDS)		DWN MCKIBBEN, JOHN 18AUG2011	 TE Connectivity	
DIMENSIONS: INCHES [mm]		CHK DOWHOWER, KENNETH 18AUG2011		
TOLERANCES UNLESS OTHERWISE SPECIFIED:		APVD DOWHOWER, KENNETH 18AUG2011	NAME PCB RECEPTACLE MOUNT ASSEMBLY	
0 PLC \pm - 1 PLC \pm - 2 PLC \pm - 3 PLC \pm .005 [0.13] 4 PLC \pm - ANGLES \pm -		PRODUCT SPEC -	RESTRICTED TO -	
MATERIAL -		FINISH -	APPLICATION SPEC -	SIZE A3
		WEIGHT -	CAGE CODE 00779	DRAWING NO C-2102453
CUSTOMER DRAWING			SCALE 1:1	SHEET 2 OF 2
			REV C	

X-ON Electronics

Largest Supplier of Electrical and Electronic Components

Click to view similar products for [TE Connectivity](#) manufacturer:

Other Similar products are found below :

[D38999/24FJ4AN](#) [570416-000](#) [CLTEQ-M81CE-SSRELAY-4-20V](#) [4-1195131-0](#) [650069-000](#) [SMD100-2](#) [358838-000](#) [CB-1022B-78](#)
[RM707012](#) [RP410012](#) [MMS42](#) [1-640426-8](#) [2EDL4CM](#) [DTS20W19-11PD-3028-LC](#) [RM202615](#) [NC6-P104-06](#) [MSPS103B](#) [DTS26F21-](#)
[41HE-LC](#) [DTS26F21-41AE](#) [DTS26F21-41PE-LC](#) [DTS26F21-11SE-3028-LC](#) [30DCB6](#) [1932144-1](#) [293545-4](#) [LVR125S](#) [MS27466T25F4PB](#)
[CKB-38-78010](#) [TR04AI-TINELLOCKRING](#) [1206SFF150F/63-2](#) [D38999/20JB35HA](#) [TE1500A2R2J](#) [D38999/20WC8BB](#) [DTS24F19-11SC-](#)
[3028-LC](#) [D38999/24WG11HA](#) [D38999/24WG11HN](#) [MS27467T21F11H](#) [DJT16E21-11HA](#) [MS27467T21F35J](#) [MS27467T21F11J](#)
[MS27467T21F16H-LC](#) [MS27467T21F35H](#) [MS27467T21F41H-LC](#) [1206SFH150F/24-2](#) [RP330024](#) [DJT16E21-11PA-LC](#) [DJT16E21-11HA-](#)
[LC](#) [DJT16E21-11AA](#) [MS27467T21B11JA](#) [DJT16E21-11JA](#) [MS27467T21B11JA-LC](#)