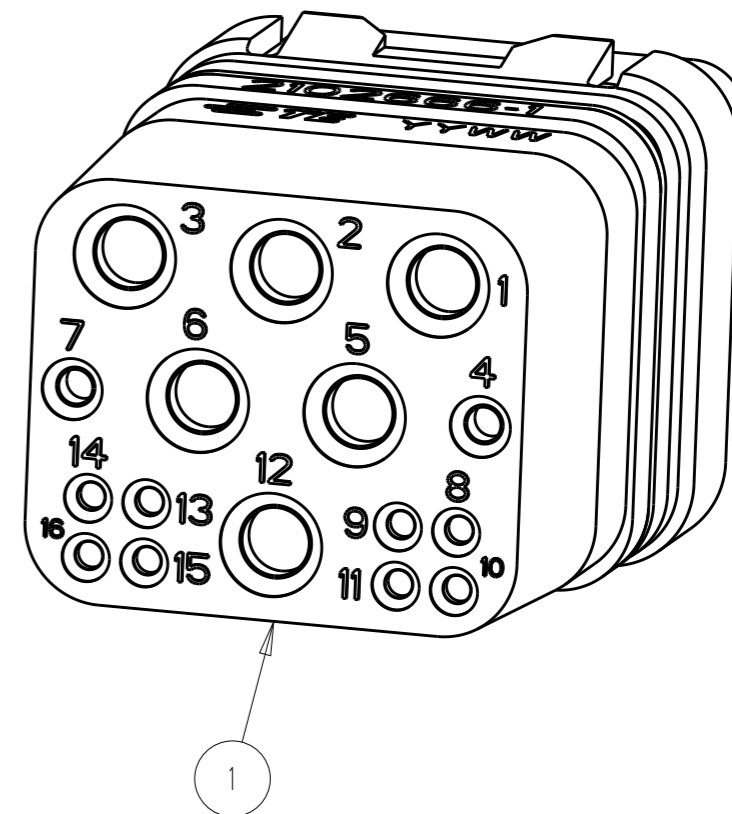
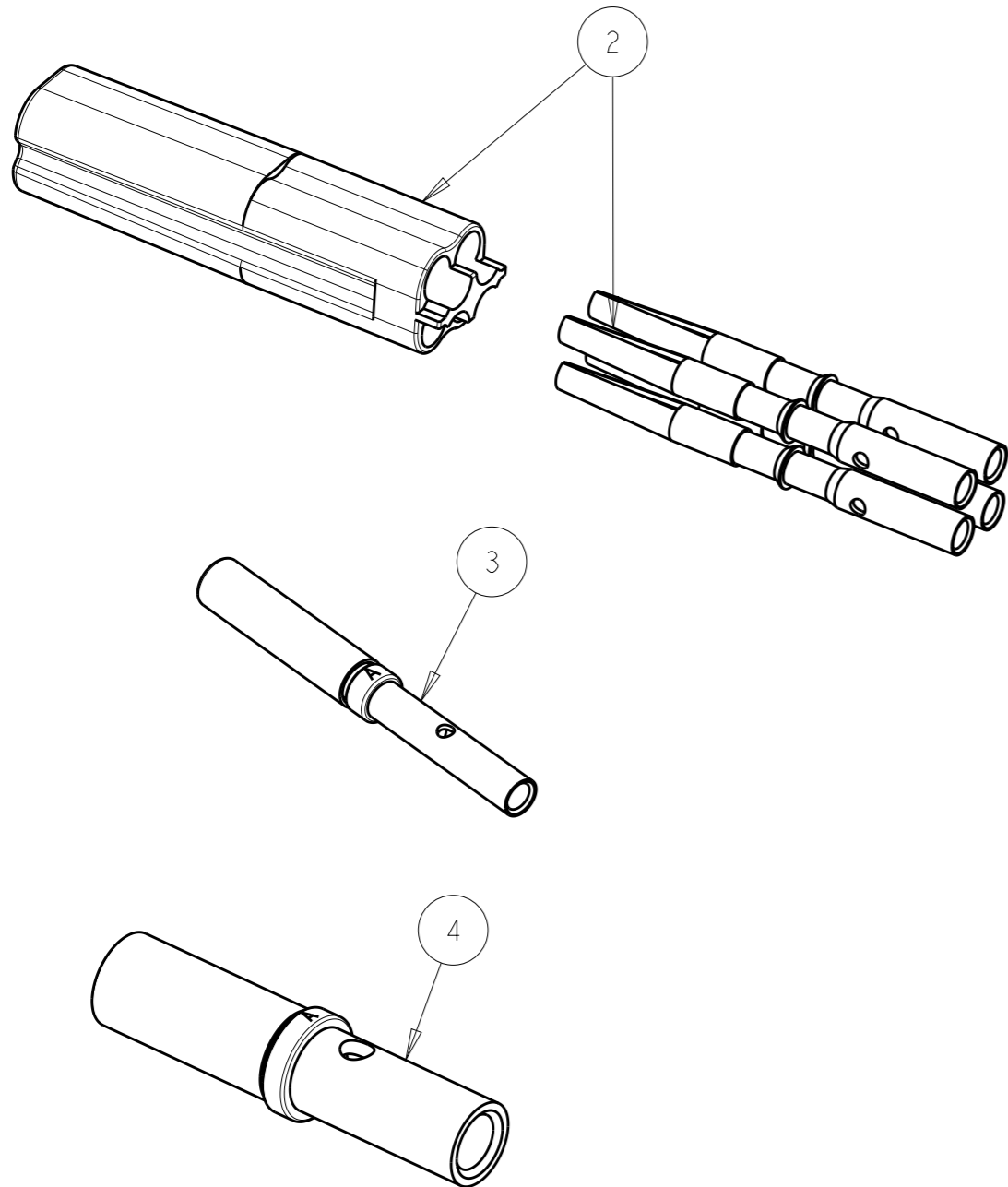


THIS DRAWING IS UNPUBLISHED.

RELEASED FOR PUBLICATION

© COPYRIGHT - BY - ALL RIGHTS RESERVED.

LOC	DIST	REVISIONS			
P	LTR	DESCRIPTION	DATE	DWN	APVD
-	-	A	RELEASED PER ECO 13-015938	10-24-13	CT DE



1. ALL PARTS SHALL BE KIT PACKAGED.
2. PACKAGING TO BE MARKED WITH TE CONNECTIVITY LOGO, PART NUMBER, REVISION & DATE CODE.

--	6	1577867-1	CONTACT, SOCKET, SIZE 16	4
--	2	204351-1	CONTACT, SOCKET, SIZE 22	3
2	2	2102668-1	KIT, SOCKET, DATA DART	2
1	1	2102666-1	ASSEMBLY, SOCKET INSERT	1
QTY -2	QTY -1	PART NO	DESCRIPTION	ITEM NO

THIS DRAWING IS A CONTROLLED DOCUMENT.		DWN G DOUTY 27FEB2012														
DIMENSIONS: mm		CHK R WALTER 27FEB2012														
TOLERANCES UNLESS OTHERWISE SPECIFIED:		APVD R WALTER 27FEB2012	NAME KIT, SOCKET INSERT													
<table border="0"> <tr><td>0 PLC</td><td>±·</td></tr> <tr><td>1 PLC</td><td>±·</td></tr> <tr><td>2 PLC</td><td>±·</td></tr> <tr><td>3 PLC</td><td>±·</td></tr> <tr><td>4 PLC</td><td>±·</td></tr> <tr><td>ANGLES</td><td>±·</td></tr> </table>		0 PLC	±·	1 PLC	±·	2 PLC	±·	3 PLC	±·	4 PLC	±·	ANGLES	±·	PRODUCT SPEC 108-2470	Gbe + POWER	
0 PLC	±·															
1 PLC	±·															
2 PLC	±·															
3 PLC	±·															
4 PLC	±·															
ANGLES	±·															
MATERIAL -		APPLICATION SPEC 114-32031	ARINC 800 SINGLE MODULE													
FINISH -		WEIGHT -	SIZE A3	CAGE CODE 00779												
		Customer Drawing	DRAWING NO C-2102660	RESTRICTED TO -												
			SCALE 5:1	SHEET 1 OF 1												
				REV A												

X-ON Electronics

Largest Supplier of Electrical and Electronic Components

Click to view similar products for te connectivity manufacturer:

Other Similar products are found below :

[570416-000](#) [CLTEQ-M81CE-SSRELAY-4-20V](#) [4-1633138-8](#) [D38999/24FJ4AN](#) [4-1195131-0](#) [650069-000](#) [SMD100-2](#) [2EDL4CM](#)
[DTS20W19-11PD-3028](#) [DTS20W19-11PD-3028-LC](#) [DTS20W19-32SD-3028-LC](#) [DTS20W19-32SD-3028](#) [NC6-P104-06](#) [TXR64AB90-](#)
[3616AI](#) [DTS26F21-41HE](#) [DTS26F21-41AE](#) [DTS26F21-41PE-LC](#) [DTS26F21-11SE-3028-LC](#) [D38999/24WF32JE](#) [D38999/24WF32SE-LC](#)
[DTS24W19-32HE](#) [D38999/20JB35HA](#) [D38999/24WJ20PA](#) [164-8033-08](#) [D38999/24FF32JE](#) [D38999/24FF32SE-LC](#) [D38999/24WF32JB](#)
[D38999/24WG11HA](#) [D38999/24WG11HN](#) [MS27467T21F11H](#) [DJT16E21-11HA](#) [DTS24F19-32HE](#) [DTS20W19-32SA-3028-LC](#) [DTS24F19-](#)
[11SC-3028-LC](#) [DTS24F19-11SC-3028](#) [DJT14E13-98HB](#) [D38999/20WC8BB](#) [1-330599-5](#) [DTS24F21-41HN-LC](#) [DTS24F21-41HN](#)
[DTS24F21-41AN](#) [DTS24F21-39HN](#) [DTS24F21-41PN-LC](#) [AFD50-10-6SN-1A-LC](#) [DJT10F17-26HC](#) [DTS24W19-32HB](#) [ACT20JE99HA](#)
[DJT10E17-26HC](#) [DJT10E17-26HN](#) [DJT10F17-26HA](#)