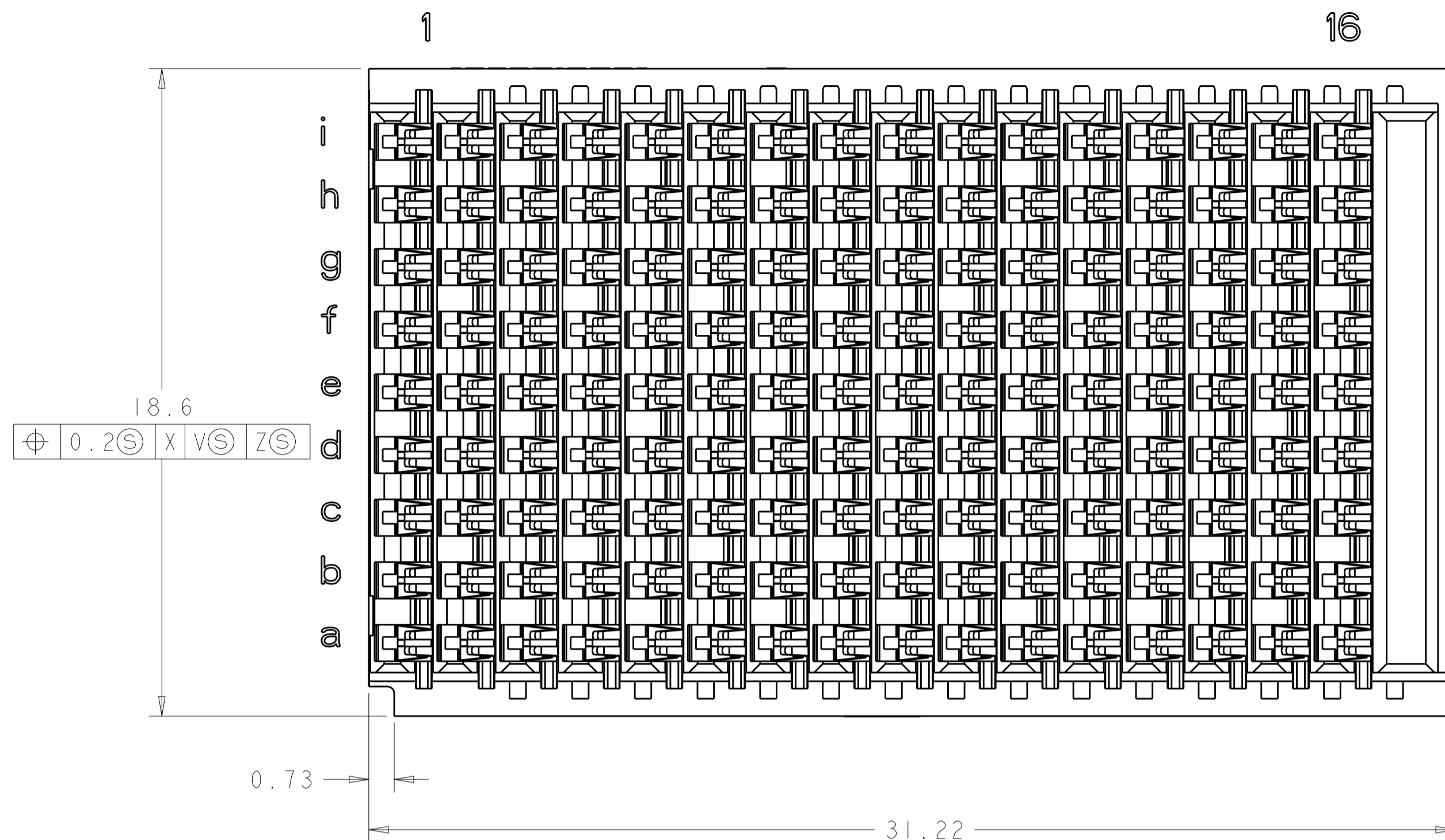
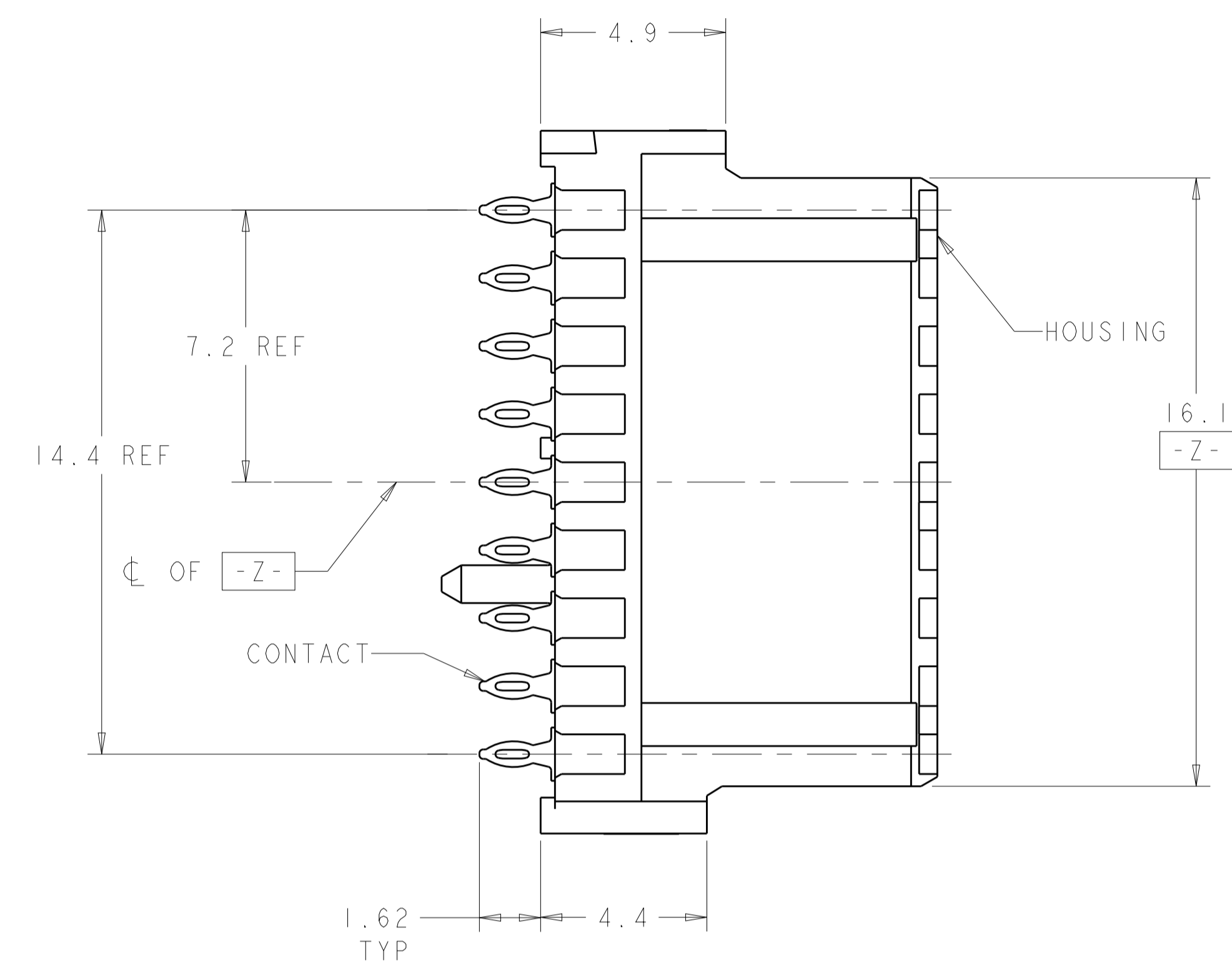
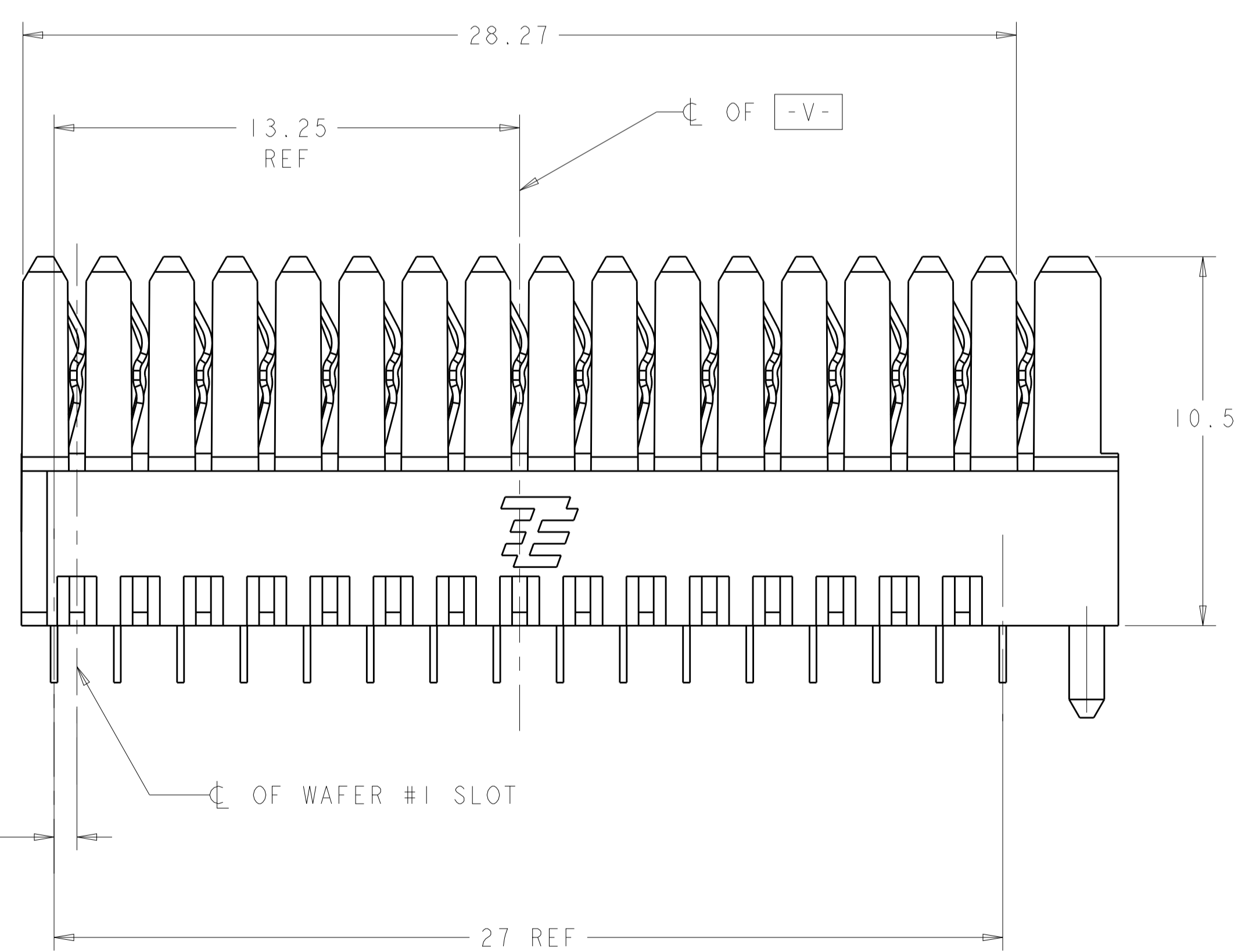
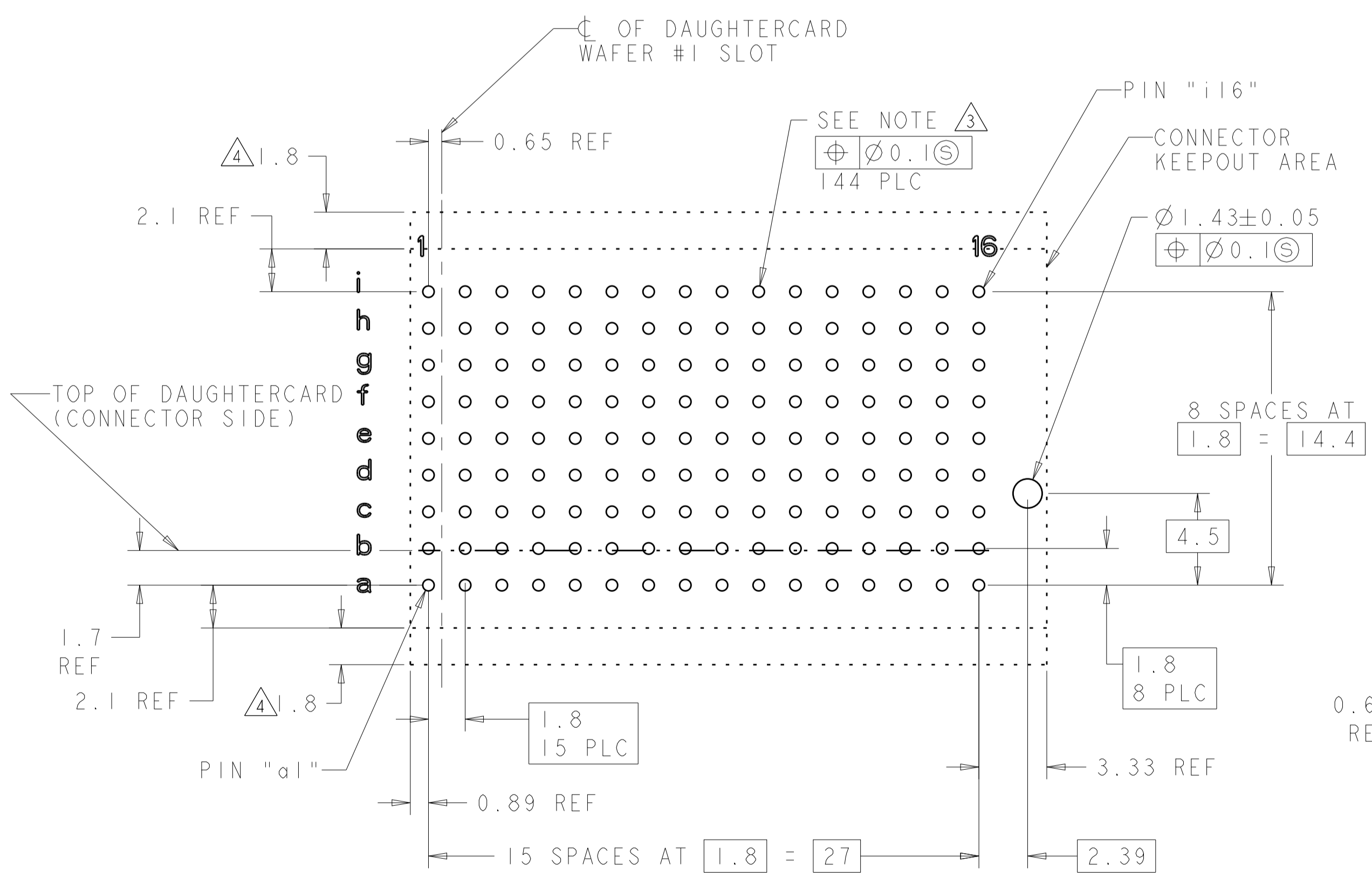


LOC		DIST		REVISIONS			
		P	LTM	DESCRIPTION	DATE	DWN	APVD
		B		RELEASED PER ECO-13-004502	12MAR2013	KM	DH
		C		REVISED PER ECO-13-008265	20MAY2013	DB	DH



- △ HOUSING: LCP, UL94V0, COLOR: BLACK. CONTACT: PHOSPHOR BRONZE.
- △ FINISH: 1.27µm GOLD IN CONTACT AREA 1.27µm MIN. TIN-LEAD ON PCB TAIL OVER 2.54µm MIN. NICKEL OVER ALL.
- △ PLATED THROUGH HOLE PER 114-13056, FIGURE 4
- △ ADDITIONAL CONNECTOR-SIDE KEEP-OUT AREA REQUIRED IF CONNECTOR-SIDE EXTRACTION TOOL IS TO BE USED.
- △ FINISH: 1.27µm MIN GOLD IN CONTACT AREA, 0.50µm MIN TIN ON PCB TAIL OVER 2.54µm MIN. NICKEL OVER ALL.



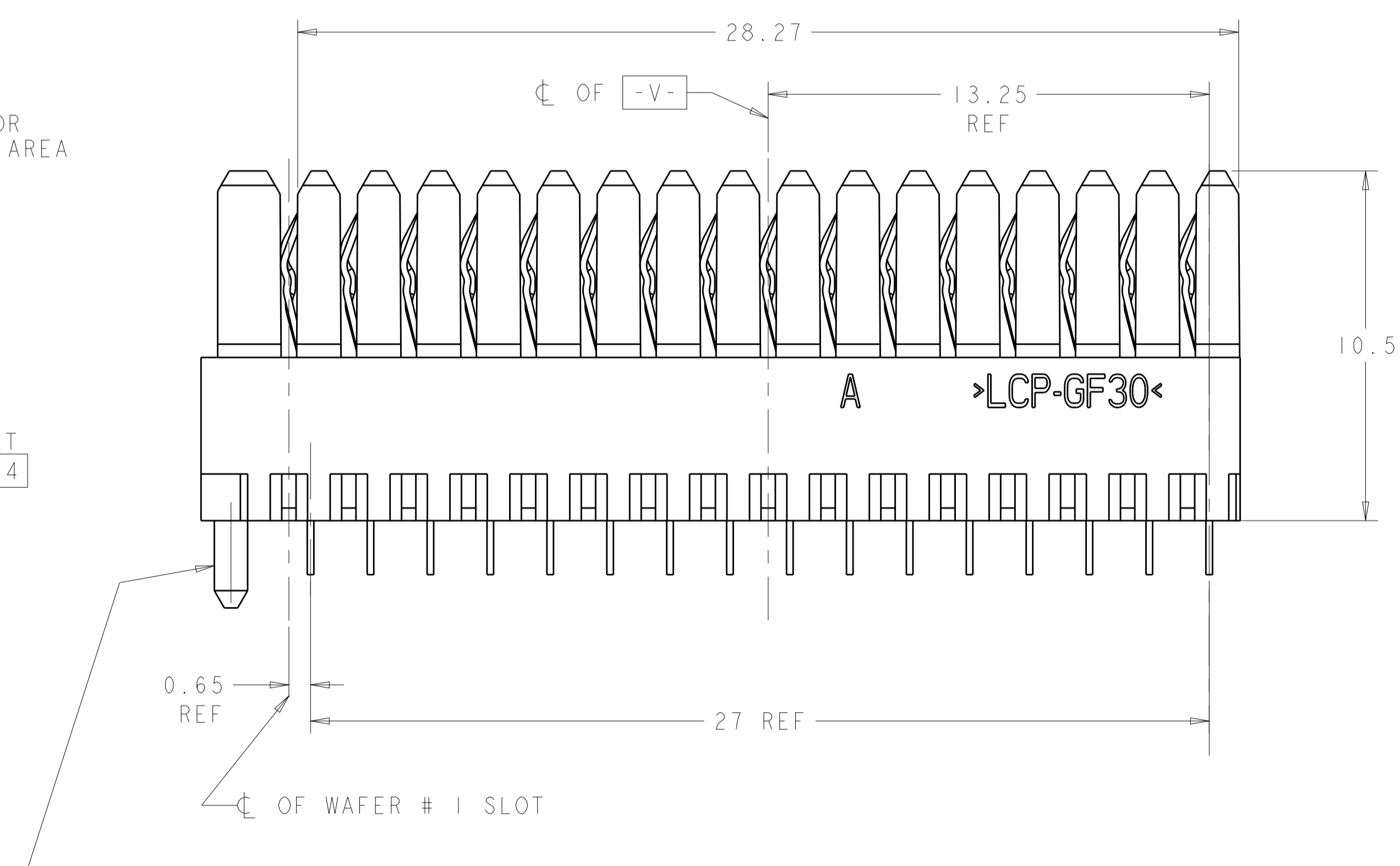
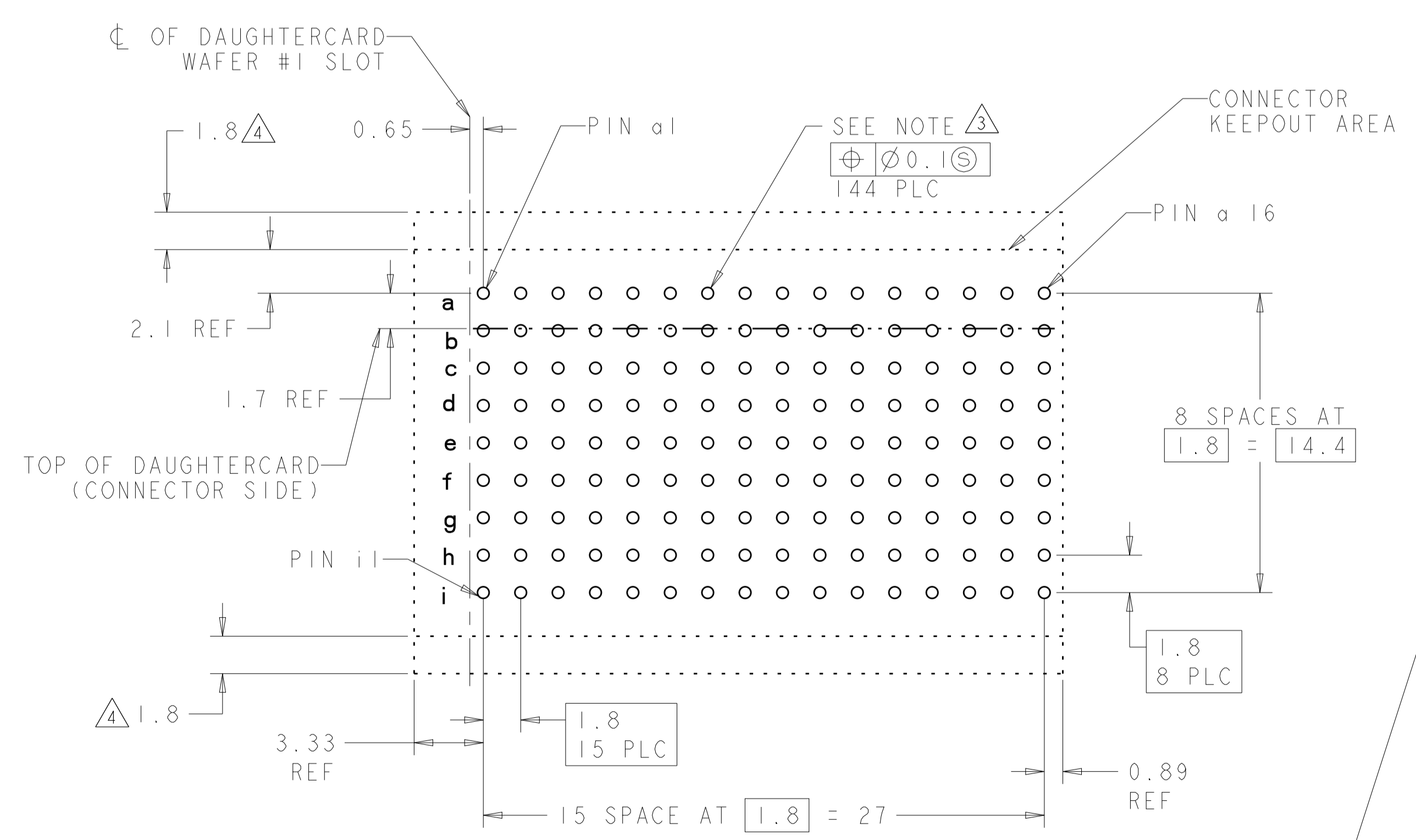
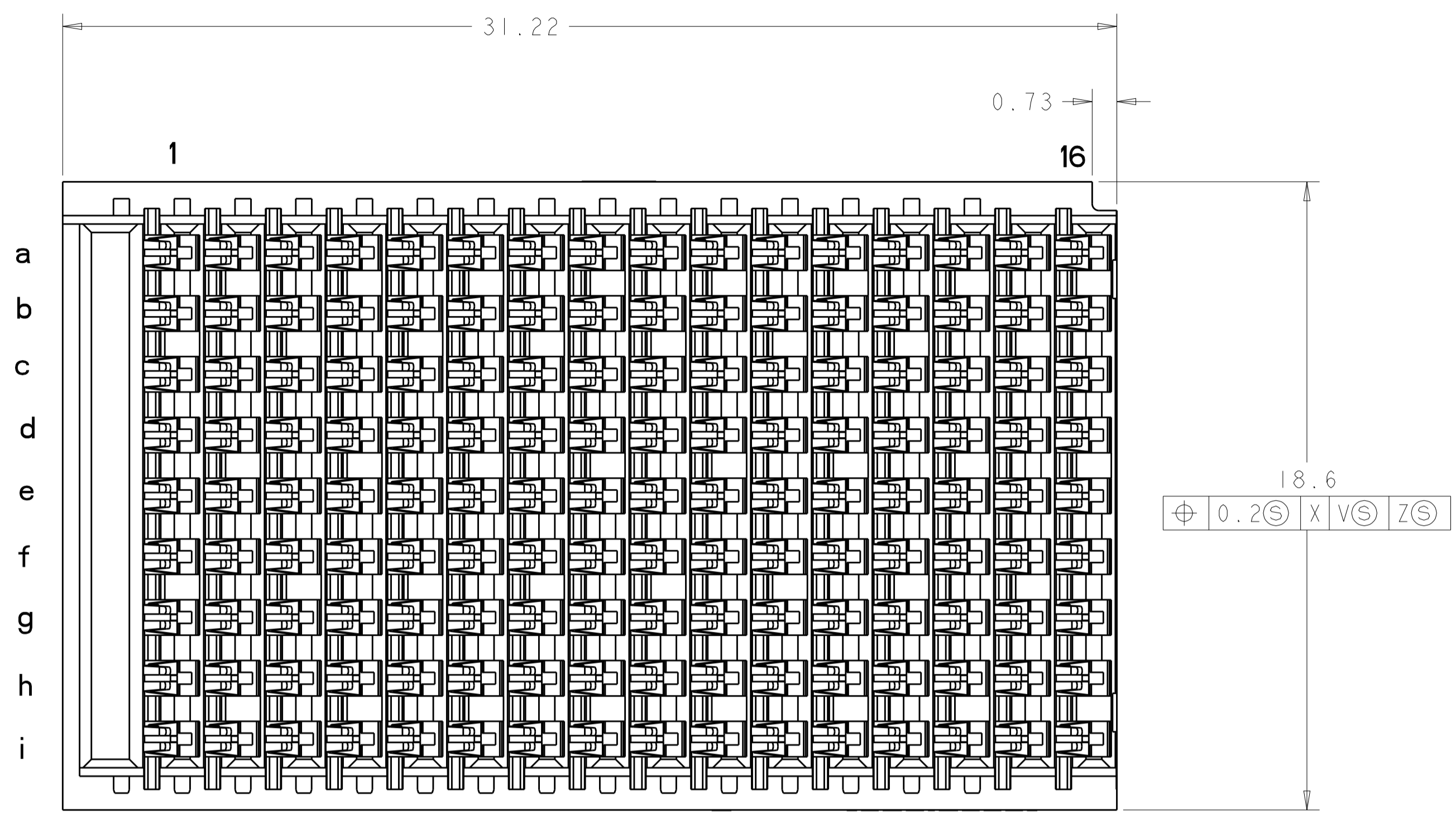
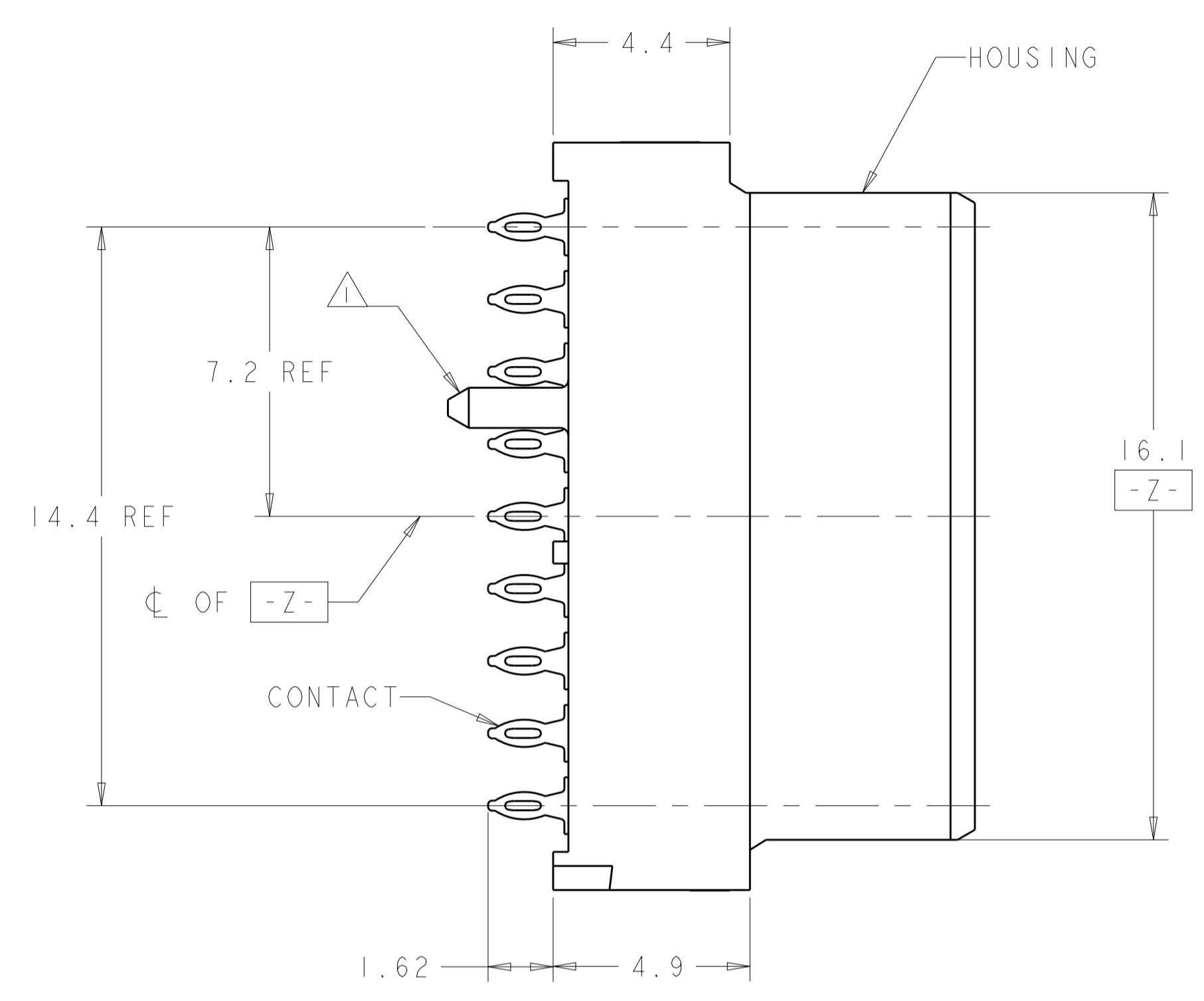
PC BOARD LAYOUT (CONNECTOR SIDE)
 (SEE SHEET 2 FOR RTM)
 SCALE 5:1

△ 5	2102737-2
△ 4	2102737-1
PLATING	PART NO

THIS DRAWING IS A CONTROLLED DOCUMENT.		DWN: R. MILLER 07SEP2011	TE Connectivity
DIMENSIONS: mm		CHK: K. THACKSTON 12SEP2011	
TOLERANCES UNLESS OTHERWISE SPECIFIED:		APVD: M. McALONIS 10SEP2012	NAME: CONNECTOR ASSEMBLY, BACKPLANE VERTICAL RECEPTACLE, RIGHT END, 20.3mm, MULTIGIG RT 2-R SIZE: CAGE CODE DRAWING NO. RESTRICTED TO A100779C=2102737
0 PLC ±0.5		PRODUCT SPEC: 108-2072	
1 PLC ±0.13		APPLICATION SPEC: 114-13056	
2 PLC ±0.13		WEIGHT: 6.97g	
3 PLC ±0.13		Customer Drawing	SCALE: 3:1 SHEET 1 OF 2 REV C
4 PLC ±0.13			
ANGLES: ±1°			
MATERIAL: SEE TABLE			

LOC		DIST		REVISIONS			
				REV	DATE	BY	APPV
-	-	-	-	1	SEE SHEET 1	-	-

REAR TRANSITION MODULE APPLICATION



PC BOARD REAR TRANSITION MODULE
 (CONNECTOR SIDE)
 SCALE 5:1

THIS DRAWING IS A CONTROLLED DOCUMENT.		OWN: R. MILLER 07SEP2011	TE Connectivity
DIMENSIONS: mm		CHK: K. THACKSTON 12SEP2011	
TOLERANCES UNLESS OTHERWISE SPECIFIED:		APVD: M. McALONIS 10SEP2012	NAME: CONNECTOR ASSEMBLY, BACKPLANE VERTICAL RECEPTACLE, RIGHT END, 20.3mm, MULTIGIG RT 2-R
0 PLC ±	1 PLC ±0.5	PRODUCT SPEC: 108-2072	SIZE: CAGE CODE DRAWING NO. RESTRICTED TO
2 PLC ±	3 PLC ±0.13	APPLICATION SPEC:	A100779C=2102737
4 PLC ±	ANGLES ±	114-13056	WEIGHT: 6.97g
MATERIAL: SEE TABLE		FINISH: ±1.0°	Customer Drawing
		SCALE: 3:1	SHEET 2 OF 2 REV C

X-ON Electronics

Largest Supplier of Electrical and Electronic Components

Click to view similar products for [High Speed/Modular Connectors](#) category:

Click to view products by [TE Connectivity](#) manufacturer:

Other Similar products are found below :

[650827-1](#) [74040-1346](#) [1410191-1](#) [1410368-3](#) [1410964-2](#) [1410326-3](#) [1410367-3](#) [1410971-4](#) [1467833-1](#) [2000877-1](#) [2000878-1](#) [2041314-1](#)
[2065387-1](#) [2187307-1](#) [163P](#) [1934290-1](#) [2000875-1](#) [2065917-1](#) [2102736-2](#) [FSR-40](#) [2169868-2](#) [22354-8](#) [437-5040-000](#) [5-1393565-0](#) [039-](#)
[0246-000](#) [0740618502](#) [0761601016](#) [0784461022](#) [10123159-12ELF](#) [030-2415-003/100 PK](#) [030-7380-004](#) [030-2494-001](#) [532939-1](#) [5532901-](#)
[3](#) [3-1469268-7](#) [74748-102LF](#) [10041743-101LF](#) [10066670-100002LF](#) [1-533915-1](#) [249-4515-000](#) [7-1469373-3](#) [DL2-2J/S](#) [2000713-8](#)
[2000713-7](#) [10124313-101LF](#) [3011-21](#) [757105208](#) [430305-001](#) [4395800100](#) [8140115](#)