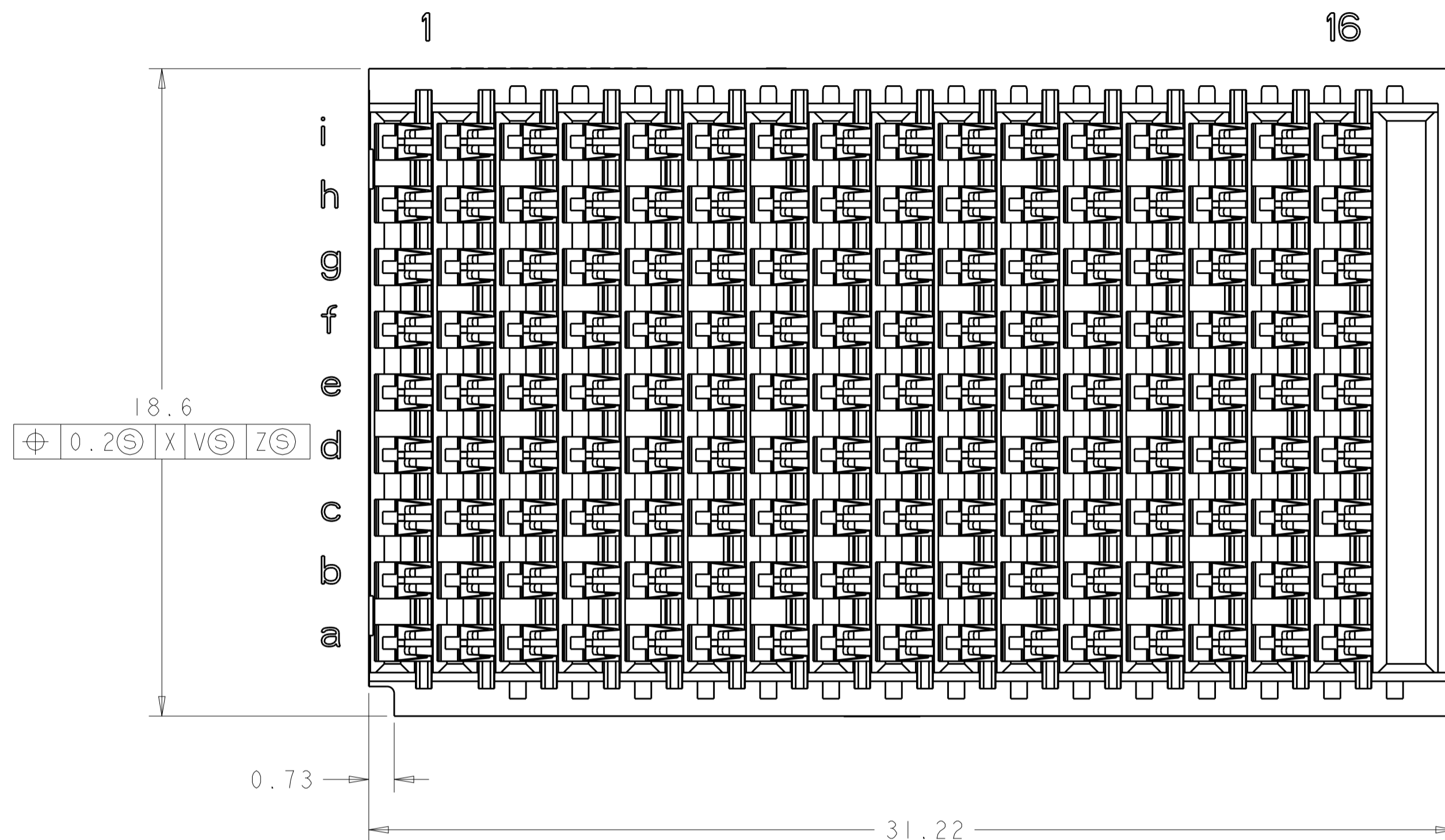
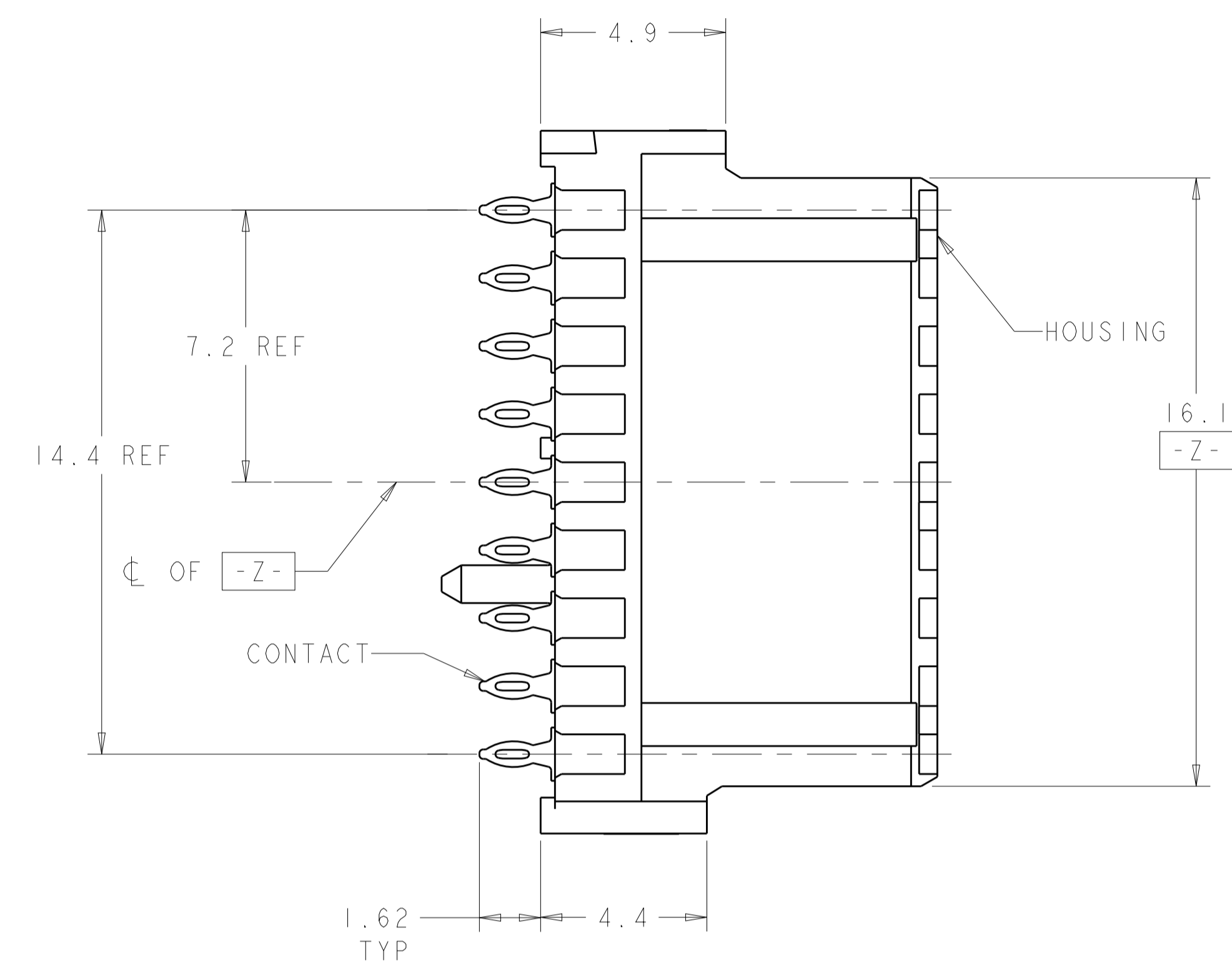
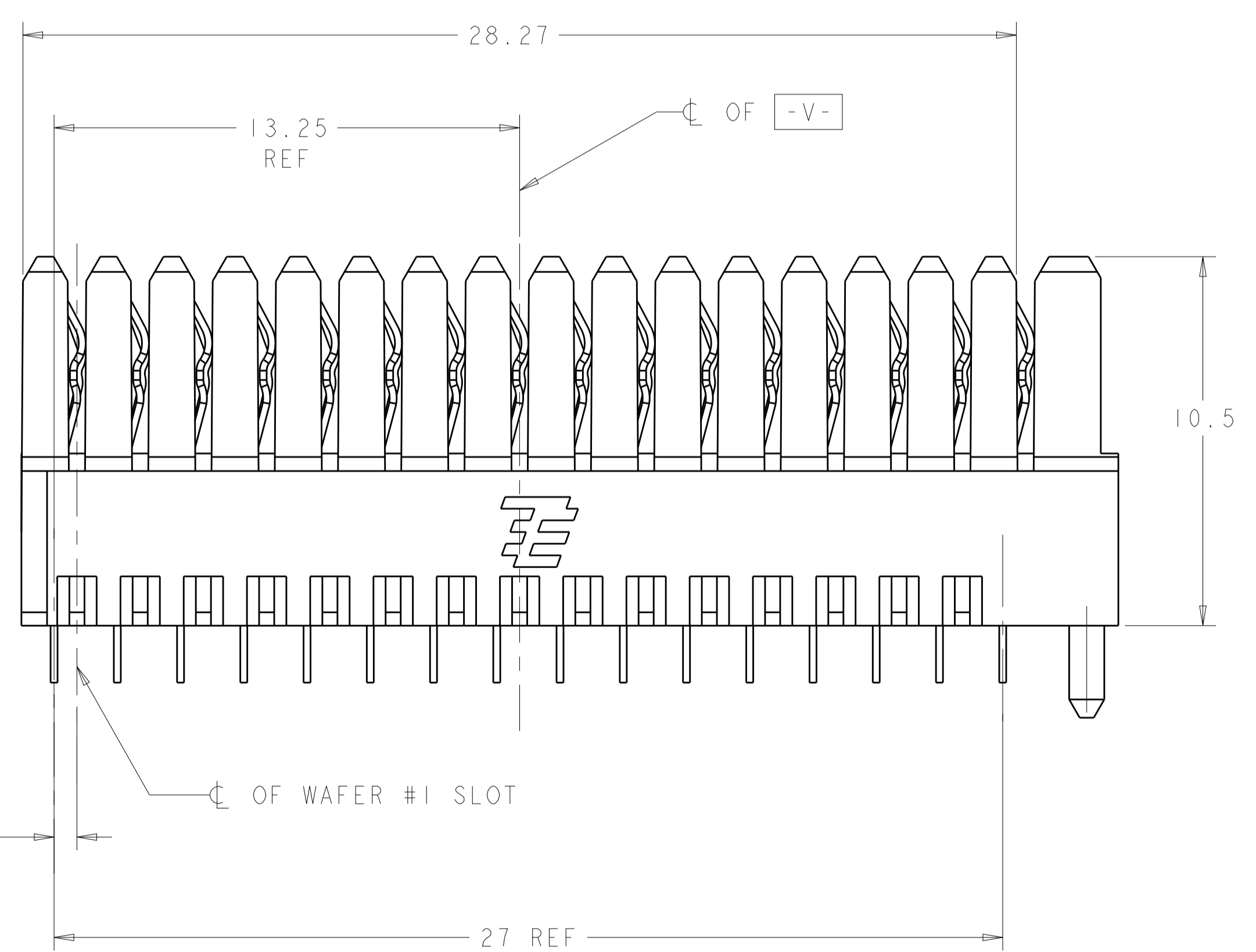
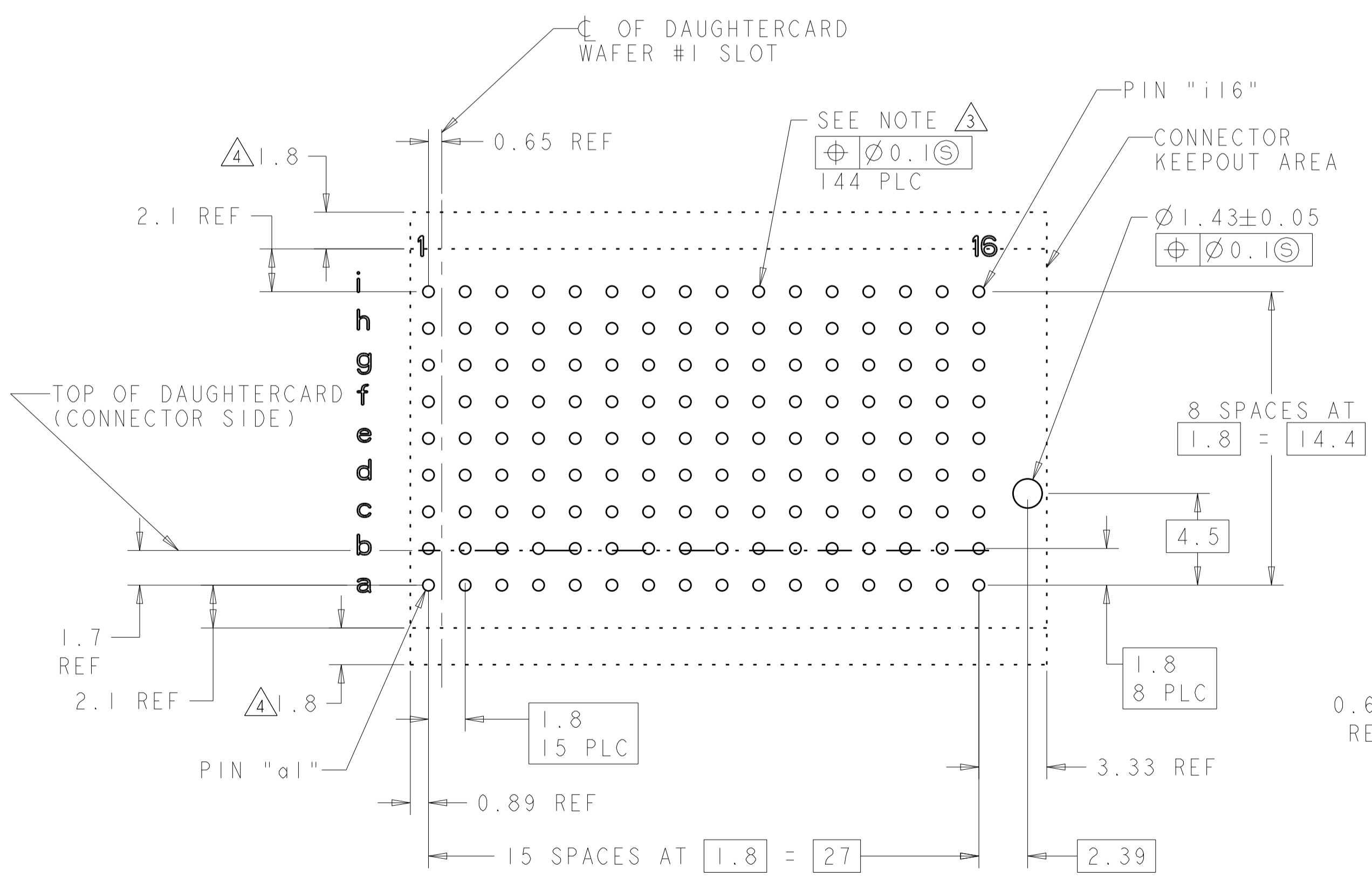


LOC		DIST		REVISIONS			
		P	LTM	DESCRIPTION	DATE	DWN	APVD
		B		RELEASED PER ECO-13-004502	12MAR2013	KM	DH
		C		REVISED PER ECO-13-008265	20MAY2013	DB	DH



- 1 HOUSING: LCP, UL94V0, COLOR: BLACK. CONTACT: PHOSPHOR BRONZE.
- 2 FINISH: 1.27 μm GOLD IN CONTACT AREA 1.27 μm MIN. TIN-LEAD ON PCB TAIL OVER 2.54 μm MIN. NICKEL OVER ALL.
- 3 PLATED THROUGH HOLE PER 114-13056, FIGURE 4
- 4 ADDITIONAL CONNECTOR-SIDE KEEP-OUT AREA REQUIRED IF CONNECTOR-SIDE EXTRACTION TOOL IS TO BE USED.
- 5 FINISH: 1.27 μm MIN GOLD IN CONTACT AREA, 0.50 μm MIN TIN ON PCB TAIL OVER 2.54 μm MIN. NICKEL OVER ALL.



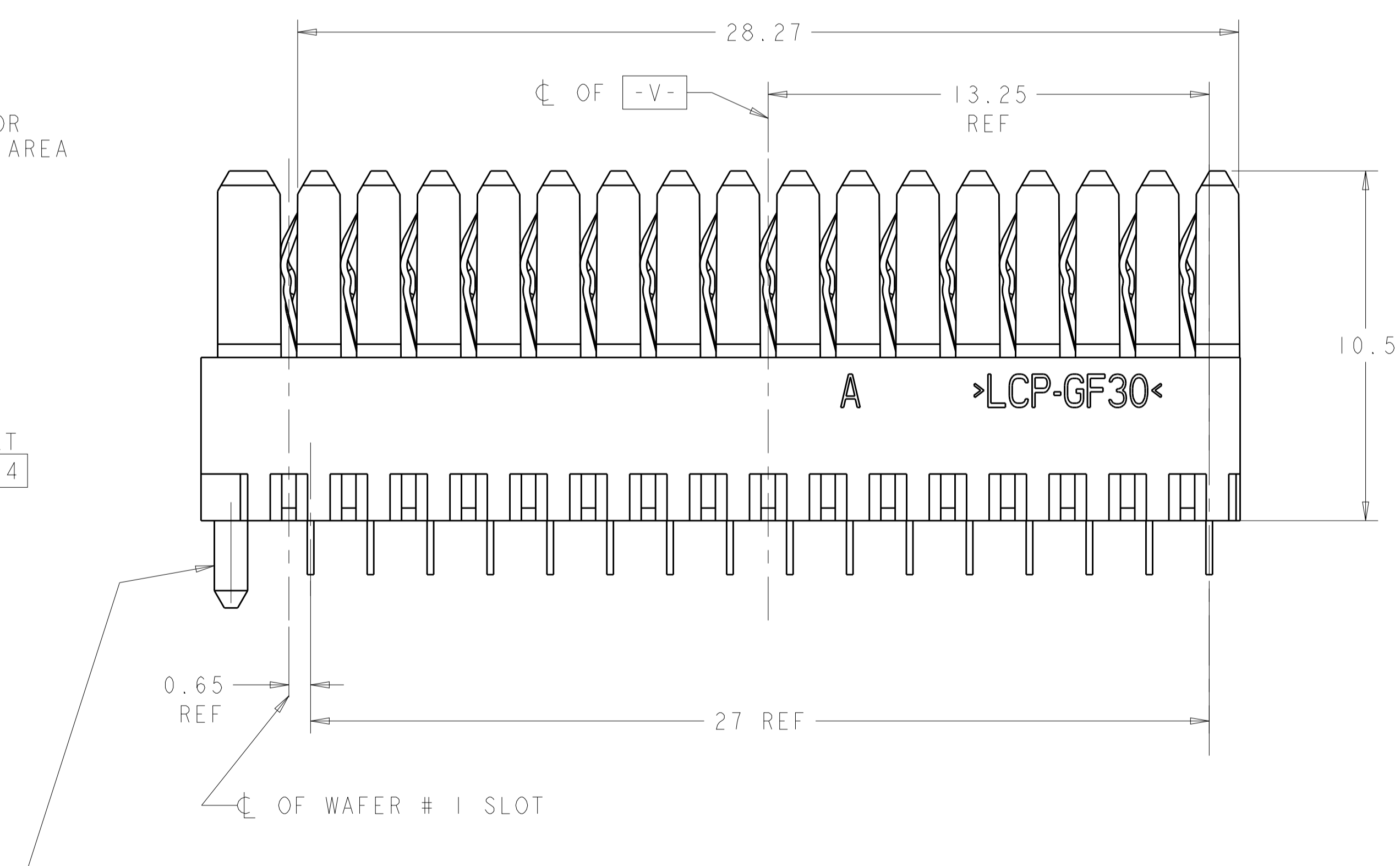
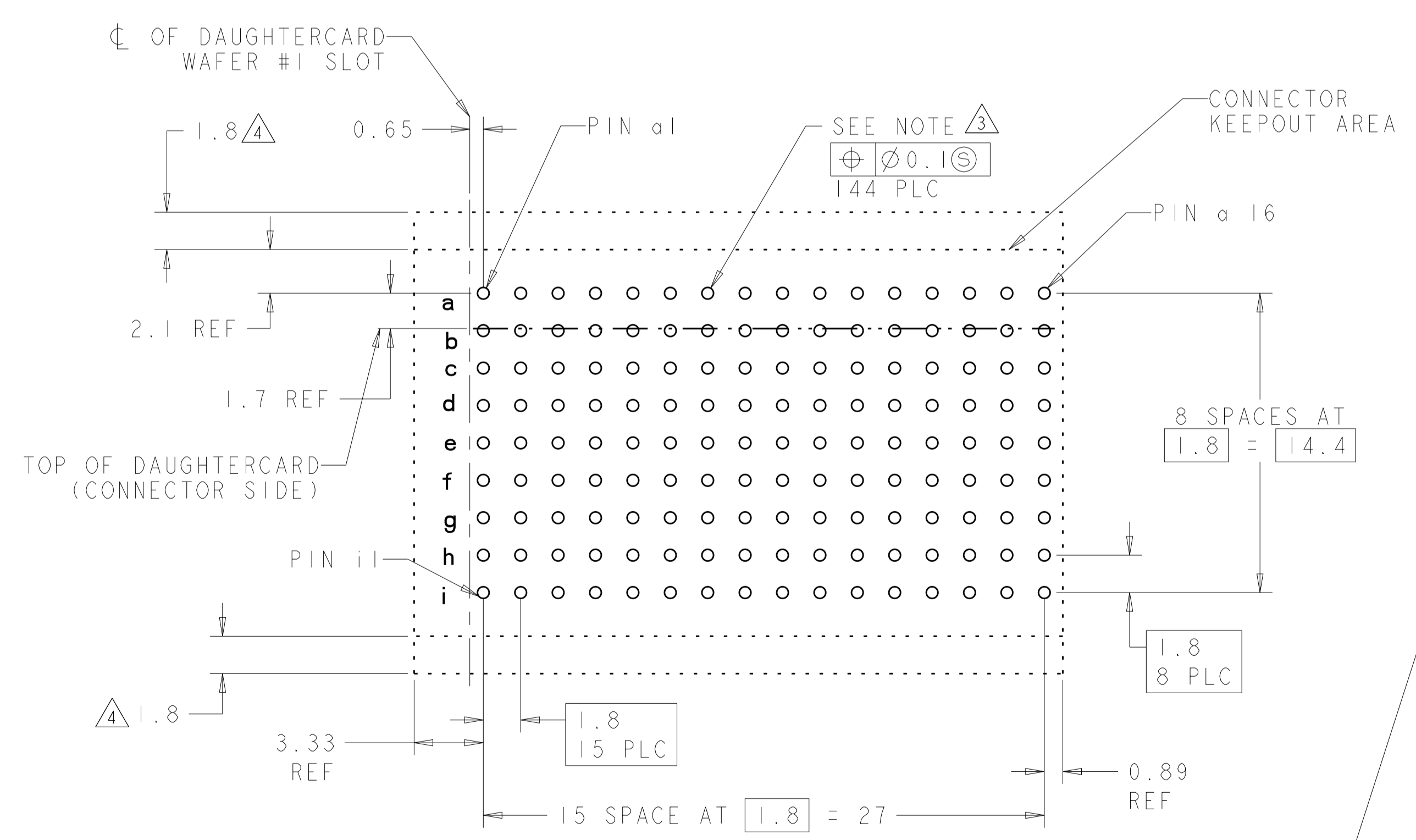
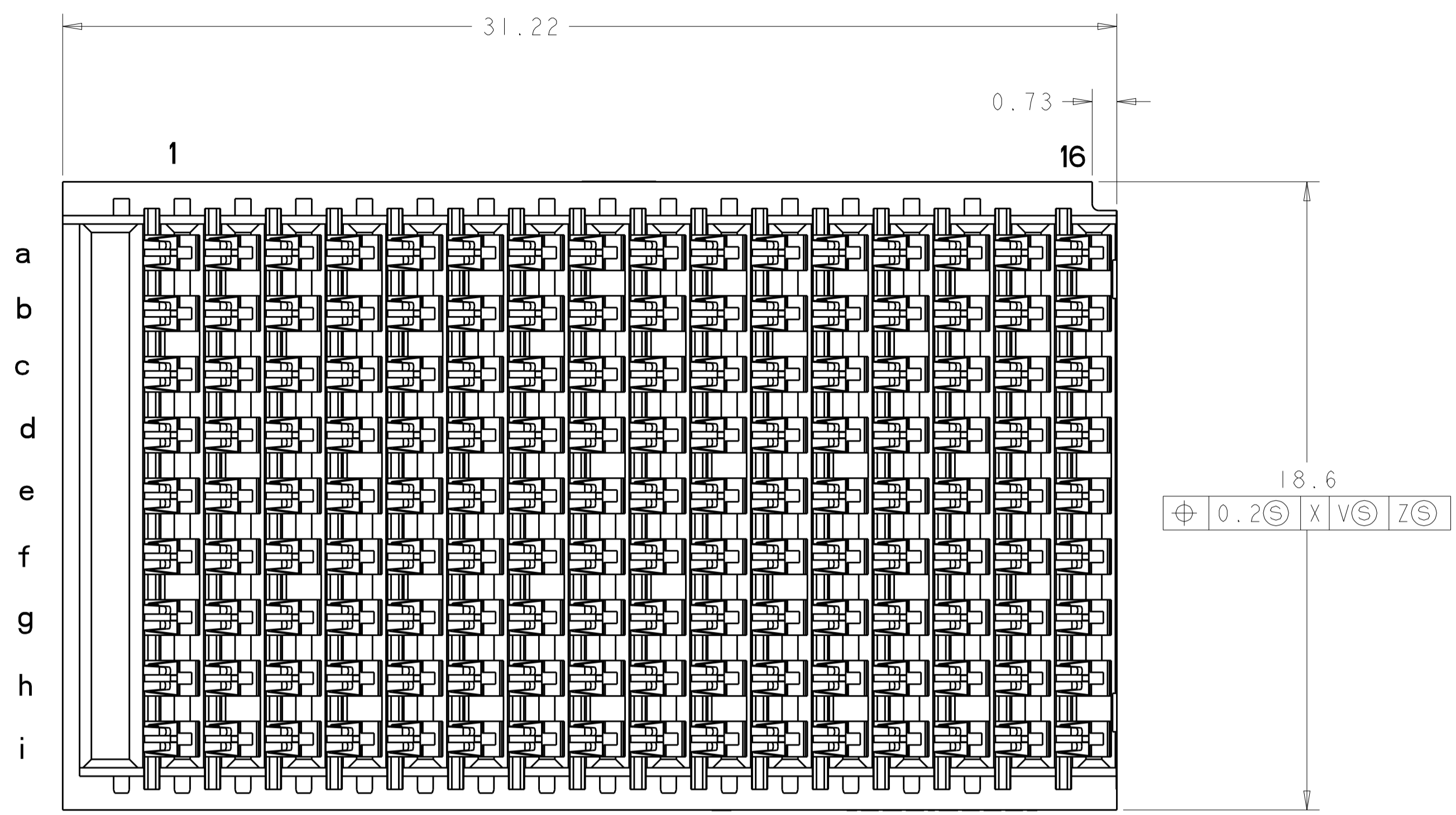
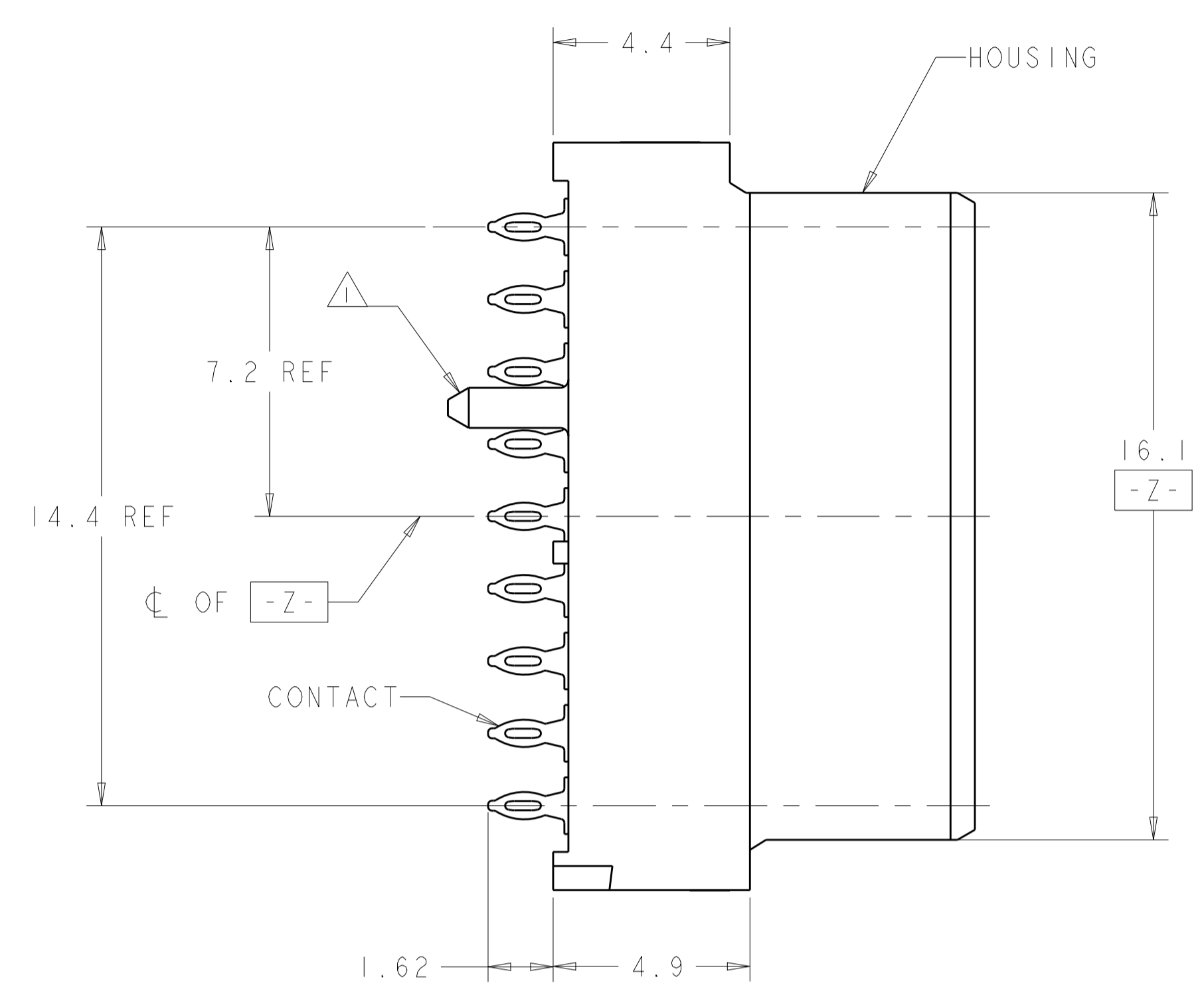
PC BOARD LAYOUT
 (CONNECTOR SIDE)
 (SEE SHEET 2 FOR RTM)
 SCALE 5:1

5	2102737-2
4	2102737-1
PLATING	PART NO

THIS DRAWING IS A CONTROLLED DOCUMENT.		DWN: R. MILLER 07SEP2011	TE Connectivity CONNECTOR ASSEMBLY, BACKPLANE VERTICAL RECEPTACLE, RIGHT END, 20.3mm, MULTIGIG RT 2-R
DIMENSIONS: mm		CHK: K. THACKSTON 12SEP2011	
TOLERANCES UNLESS OTHERWISE SPECIFIED:		APVD: M. McALONIS 10SEP2012	NAME: 108-2072
0 PLC \pm		PRODUCT SPEC	APPLICATION SPEC
1 PLC \pm 0.5		114-13056	114-13056
2 PLC \pm 0.13		108-2072	108-2072
3 PLC \pm		114-13056	114-13056
4 PLC \pm		108-2072	108-2072
5 PLC \pm		114-13056	114-13056
ANGLES \pm 1°		114-13056	114-13056
MATERIAL: SEE TABLE		WEIGHT: 6.97g	Customer Drawing
SCALE: 3:1		SHEET: 1 OF 2	REV: C

LOC		DIST		REVISIONS			
				REV	DATE	BY	APPV
-	-	-	-	1	SEE SHEET 1	-	-

REAR TRANSITION MODULE APPLICATION



PLASTIC ALIGNMENT PIN MUST BE REMOVED FLUSH TO HOUSING BODY PRIOR TO INSERTION INTO RTM LAYOUT

PC BOARD REAR TRANSITION MODULE (CONNECTOR SIDE) SCALE 5:1

THIS DRAWING IS A CONTROLLED DOCUMENT.		OWN: R. MILLER 07SEP2011	TE Connectivity
DIMENSIONS: mm		CHK: K. THACKSTON 12SEP2011	
TOLERANCES UNLESS OTHERWISE SPECIFIED:		APPV: M. McALONIS 10SEP2012	NAME: CONNECTOR ASSEMBLY, BACKPLANE VERTICAL RECEPTACLE, RIGHT END, 20.3mm, MULTIGIG RT 2-R
0 PLC ±0.13		PRODUCT SPEC: 108-2072	SIZE: A1
1 PLC ±0.5		APPLICATION SPEC: 114-13056	CAGE CODE: 2102737
2 PLC ±0.13		WEIGHT: 6.97g	RESTRICTED TO: -
3 PLC ±0.13		Customer Drawing	SCALE: 3:1
4 PLC ±0.13			SHEET: 2 OF 2
ANGLES ±1°			REV: C

X-ON Electronics

Largest Supplier of Electrical and Electronic Components

Click to view similar products for [High Speed/Modular Connectors](#) category:

Click to view products by [TE Connectivity](#) manufacturer:

Other Similar products are found below :

[2332816-1](#) [89006-1137LF](#) [650827-1](#) [65762-001LF](#) [73474-201LF](#) [74040-1346](#) [74075-0267](#) [88911-201LF](#) [9514M0C20D](#) [1410191-1](#)
[1410337-1](#) [1410368-3](#) [1410964-2](#) [1410326-3](#) [1410367-3](#) [1410971-4](#) [1467833-1](#) [2000877-1](#) [2000878-1](#) [2041314-1](#) [2065387-1](#) [2187307-1](#)
[2187462-1](#) [2226278-6](#) [KA81-07](#) [91290-101LF](#) [1934290-1](#) [2000875-1](#) [2065917-1](#) [2102736-2](#) [FSR-40](#) [2169868-2](#) [2226279-2](#) [22354-8](#) [437-](#)
[5040-000](#) [5-1393565-0](#) [532449-3](#) [532803-2](#) [34745-0001](#) [0740618502](#) [0760151403](#) [0760551105](#) [0760551608](#) [0761451128](#) [0761651124](#)
[0761655108](#) [0761659807](#) [0769853208](#) [0736440217](#) [0758324203](#)