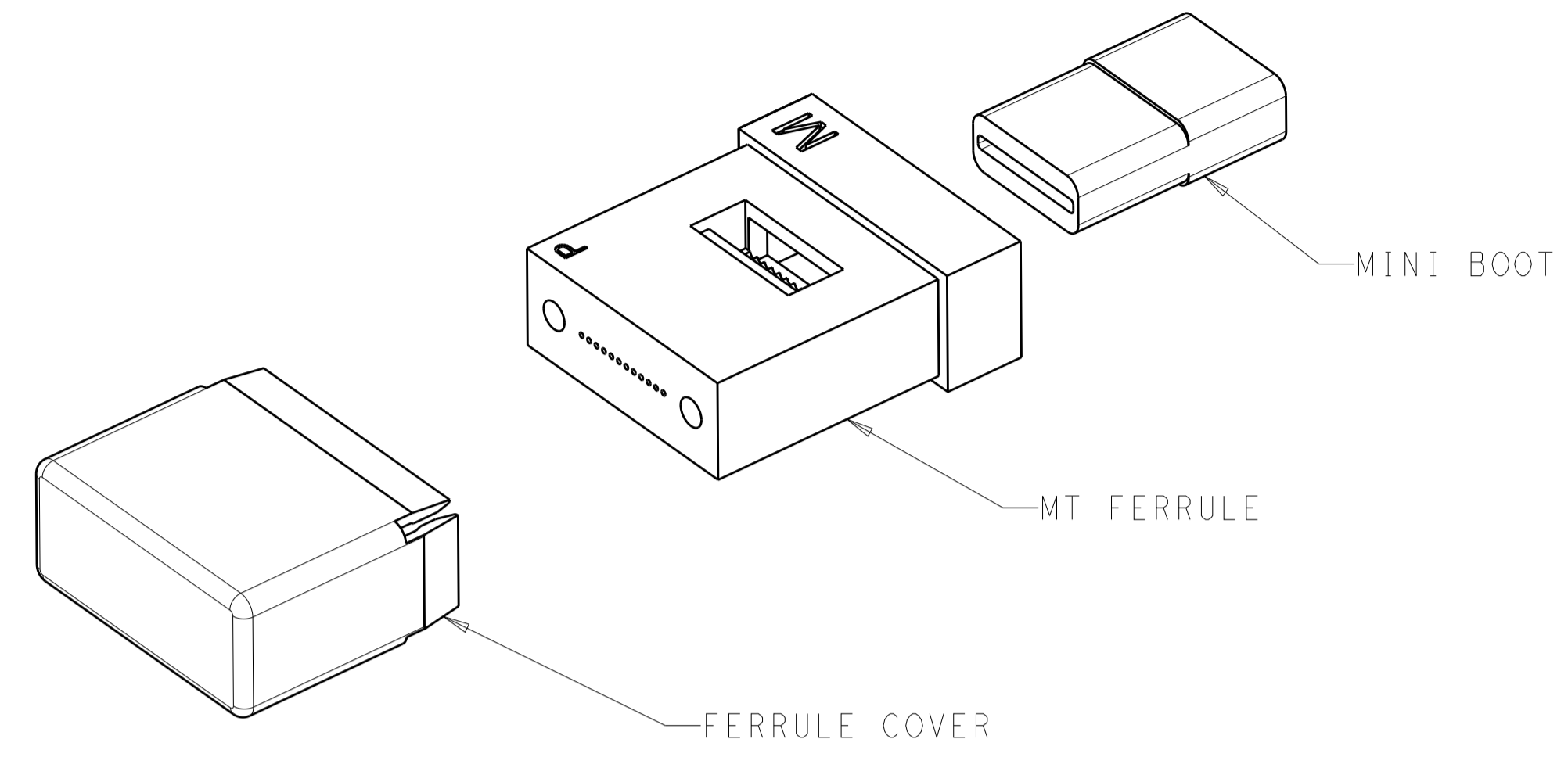
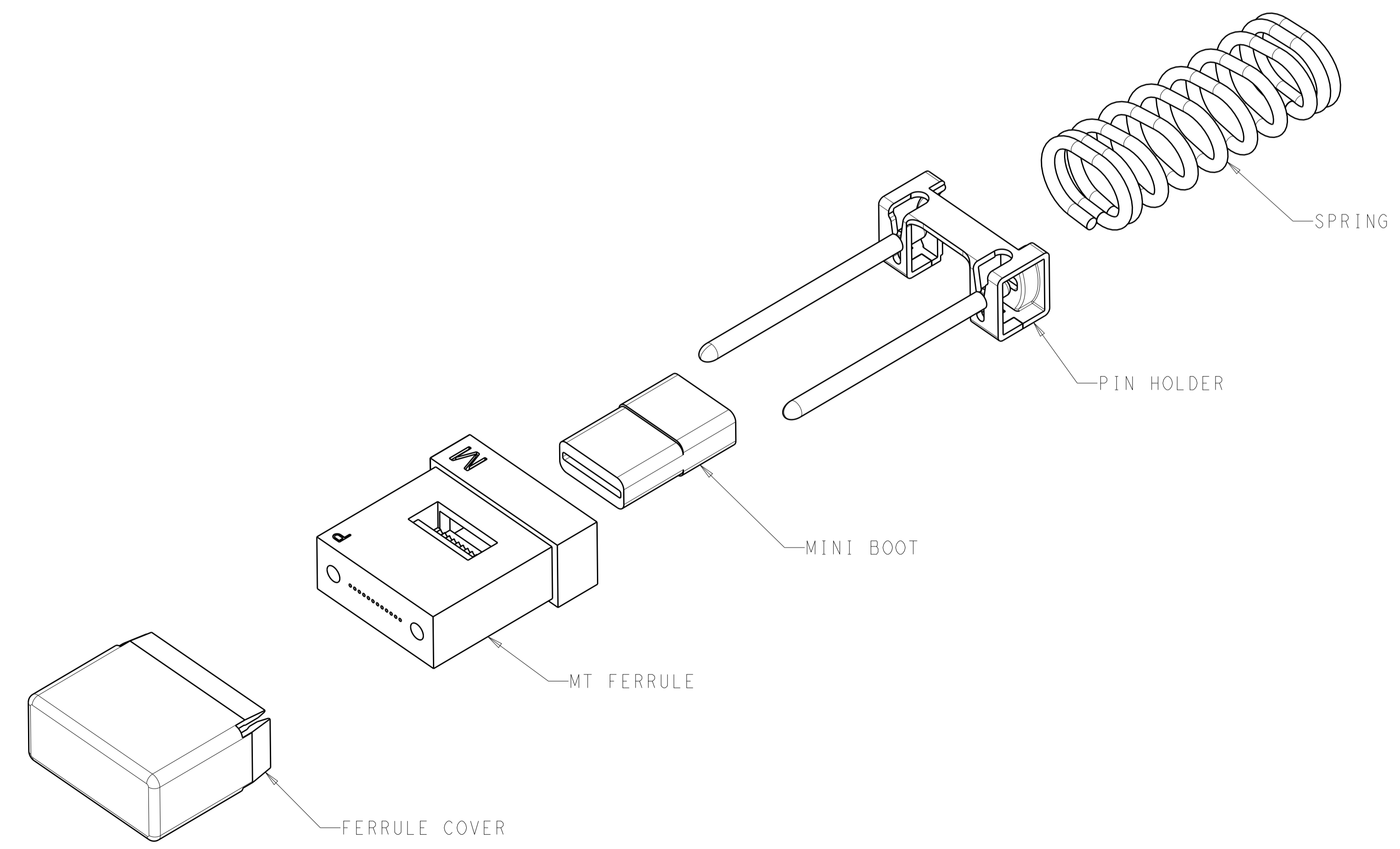


LOC		DIST		REVISIONS			
				REV	DATE	BY	CHKD
		A		RELEASED PER ECO-14-017426	10DEC2014	-	-
		A1		REVISED PER ECO-19-004404	23APR2019	DF	JM



2102866-1 ^{△3}
 RECEPTACLE (BACKPLANE) KIT

- △1 MATERIAL:
 MT FERRULE: THERMOPLASTIC, PER ASTM D4067
 MINI BOOT: VULCANIZED THERMOPLASTIC POLYOLEFIN
 FERRULE COVER: ABS THERMOPLASTIC PER ASTM D4673
 SPRING: 300 SERIES STAINLESS STEEL WIRE, PER ASTM A313
 PIN HOLDER: 300 SERIES STAINLESS STEEL, PER ASTM A666
 PINS: 400 SERIES STAINLESS STEEL, PER ASTM A276
- △2 FINISH:
 SPRING: PASSIVATED
- △3 UNASSEMBLED RECEPTACLE FIBER OPTIC KIT
 CONTAINING THE MT FERRULE, MINI-BOOT AND FERRULE COVER
 USE WITH RECEPTACLE (BACKPLANE) CONNECTOR KITS:
 VITA 66.1: 2000973-1
 VITA 66.4: 2226880-1
- △4 UNASSEMBLED PLUG FIBER OPTIC KIT,
 CONTAINING MT FERRULE, MINI-BOOT, PIN HOLDER, SPRING AND FERRULE COVER
 USE WITH PLUG (MODULE) CONNECTOR KITS:
 VITA 66.1: 2000974-1
 VITA 66.4: 2226881-1



2102866-2 ^{△4}
 PLUG (MODULE) KIT

MULTI-MODE, 12-FIBER, STANDARD GRADE	UNASSEMBLED PLUG KIT ^{△4}	2102866-2
MULTI-MODE, 12-FIBER, STANDARD-GRADE	UNASSEMBLED RECEPTACLE KIT ^{△3}	2102866-1
MT FERRULE TYPE	COMMENTS	PART NUMBER

THIS DRAWING IS A CONTROLLED DOCUMENT.		OWN: D. FABIAN	09FEB2012	STE TE Connectivity
DIMENSIONS: mm		CHK: -	APVD: -	
TOLERANCES UNLESS OTHERWISE SPECIFIED:		PRODUCT SPEC		NAME: MT FERRULE KIT, 12 FIBER, MM 50/125, STANDARD GRADE FIBER OPTIC
0 PLC ±		108-2247		
1 PLC ±0.13		APPLICATION SPEC		SIZE: CAGE CODE DRAWING NO
2 PLC ±0.013		114-32050		RESTRICTED TO
3 PLC ±		WEIGHT		A100779C=2102866
4 PLC ±		Customer Drawing		SCALE 8:1 SHEET 1 OF 1 REV A1
ANGLES #1				
FINISH				

X-ON Electronics

Largest Supplier of Electrical and Electronic Components

Click to view similar products for [Fibre Optic Connectors](#) category:

Click to view products by [TE Connectivity](#) manufacturer:

Other Similar products are found below :

[0004700001](#) [6100-R](#) [6313](#) [F709034706](#) [F709722200](#) [F709730000](#) [F718183204](#) [F727403500](#) [F727752800](#) [8119](#) [9440F20-27S-190](#) [944-120-6001](#) [9441F10SL-3S](#) [9444W28-21S](#) [9444W36-10S](#) [9446F10SL-4S](#) [9446W20-16S](#) [953-101-5310-P](#) [954-101-57202B](#) [A0270169](#) [12-9122](#) [12-5702](#) [AX101713](#) [AX102420](#) [AX103923](#) [AX104024](#) [AX104193](#) [AX104230](#) [AX104562](#) [AX105203-B25](#) [AX105205-S1](#) [EHSC2M](#) [181-011-126](#) [181-011-S](#) [181-057-126](#) [HRFC-R2\(40\)](#) [NKSOPBUY](#) [20500002116](#) [2064996-1](#) [20800001065](#) [2170](#) [9132](#) [2612](#) [2620](#) [9291](#) [9440F16-10S](#) [9440F20-18S](#) [9446F16-10S-190](#) [953-106-50231](#) [953-120-5003](#)