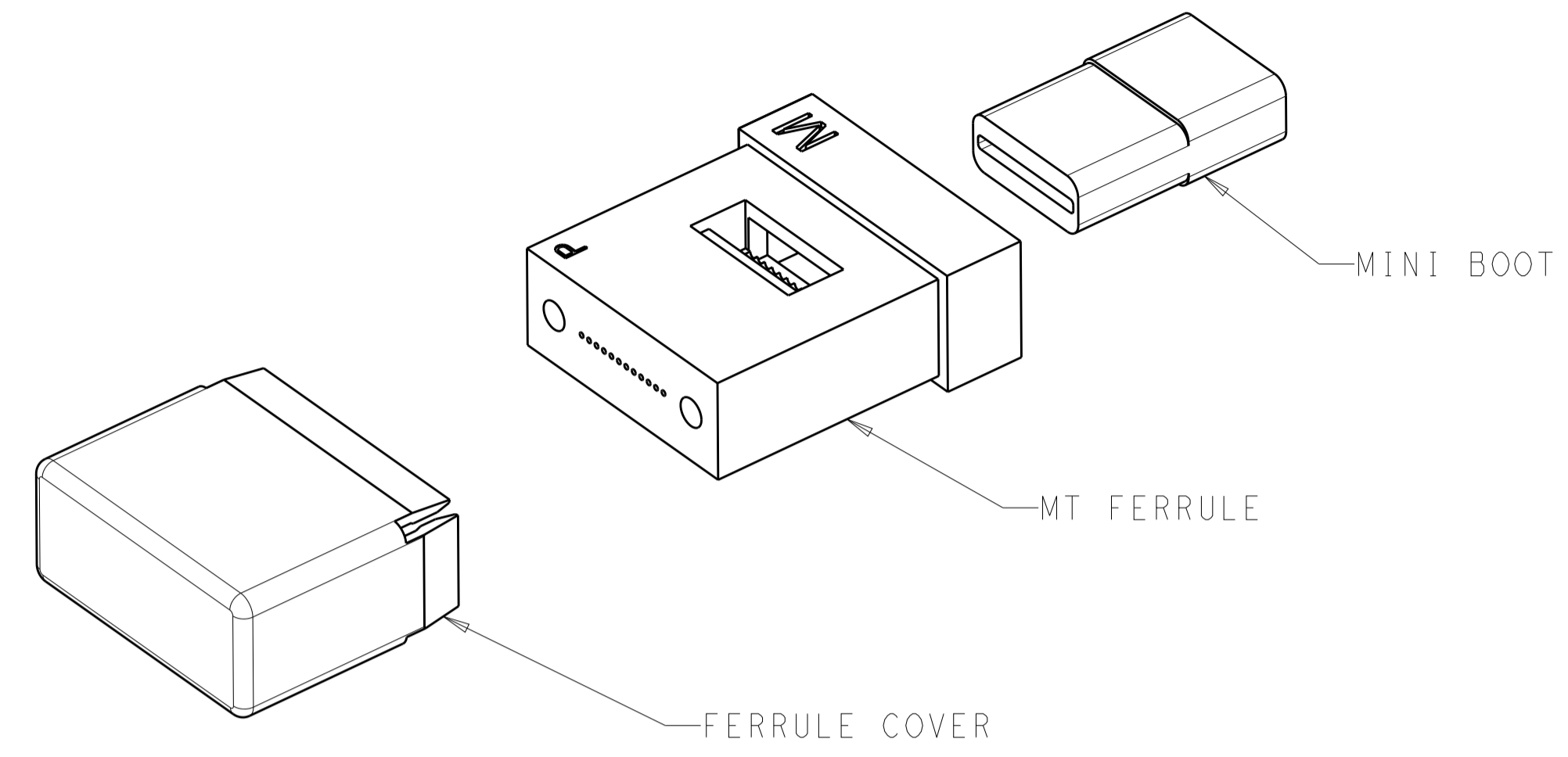
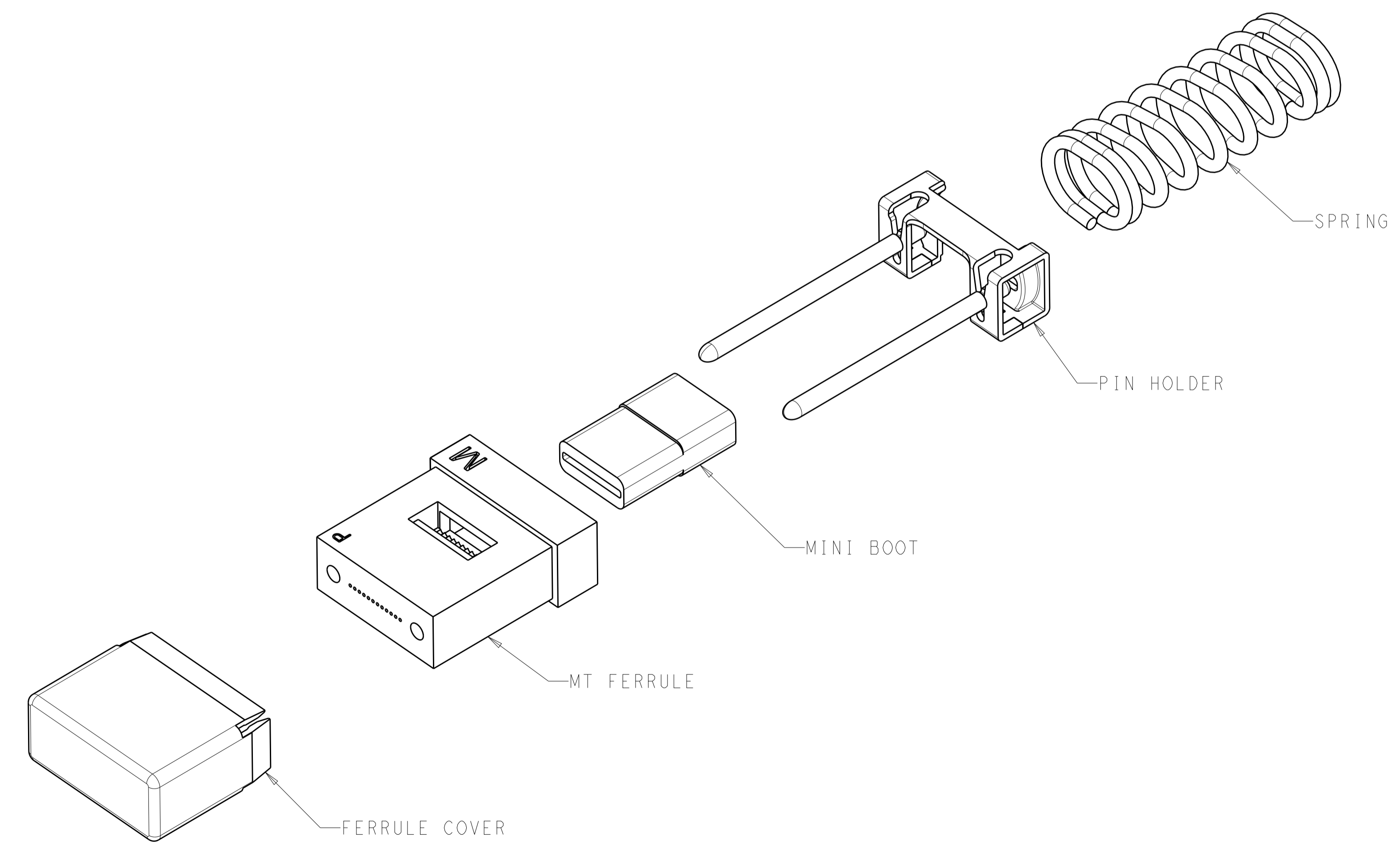


REVISONS		DATE	DWN	APVD
A	RELEASED PER ECO-14-017426	10DEC2014	-	-
A1	REVISED PER ECO-19-004404	23APR2019	DF	JM



2102866-1 [△]
 RECEPTACLE (BACKPLANE) KIT

- △1 MATERIAL:
 MT FERRULE: THERMOPLASTIC, PER ASTM D4067
 MINI BOOT: VULCANIZED THERMOPLASTIC POLYOLEFIN
 FERRULE COVER: ABS THERMOPLASTIC PER ASTM D4673
 SPRING: 300 SERIES STAINLESS STEEL WIRE, PER ASTM A313
 PIN HOLDER: 300 SERIES STAINLESS STEEL, PER ASTM A666
 PINS: 400 SERIES STAINLESS STEEL, PER ASTM A276
- △2 FINISH:
 SPRING: PASSIVATED
- △3 UNASSEMBLED RECEPTACLE FIBER OPTIC KIT
 CONTAINING THE MT FERRULE, MINI-BOOT AND FERRULE COVER
 USE WITH RECEPTACLE (BACKPLANE) CONNECTOR KITS:
 VITA 66.1: 2000973-1
 VITA 66.4: 2226880-1
- △4 UNASSEMBLED PLUG FIBER OPTIC KIT,
 CONTAINING MT FERRULE, MINI-BOOT, PIN HOLDER, SPRING AND FERRULE COVER
 USE WITH PLUG (MODULE) CONNECTOR KITS:
 VITA 66.1: 2000974-1
 VITA 66.4: 2226881-1



2102866-2 [△]
 PLUG (MODULE) KIT

MULTI-MODE, 12-FIBER, STANDARD GRADE	UNASSEMBLED PLUG KIT	△4	2102866-2
MULTI-MODE, 12-FIBER, STANDARD-GRADE	UNASSEMBLED RECEPTACLE KIT	△3	2102866-1
MT FERRULE TYPE	COMMENTS		PART NUMBER

THIS DRAWING IS A CONTROLLED DOCUMENT.		DWN D. FABIAN	09FEB2012	STE TE Connectivity
DIMENSIONS: mm		CHK -	APVD -	
TOLERANCES UNLESS OTHERWISE SPECIFIED: 0 PLC ± 2 PLC ±0.13 3 PLC ±0.013 4 PLC ± ANGLES ±1		PRODUCT SPEC 108-2247		NAME MT FERRULE KIT, 12 FIBER, MM 50/125, STANDARD GRADE FIBER OPTIC
MATERIAL △1		APPLICATION SPEC 114-32050		SIZE A1
FINISH △2		WEIGHT -		CAGE CODE 100779
		Customer Drawing		RESTRICTED TO -
		SCALE 8:1		SHEET 1 OF 1
				REV A1

X-ON Electronics

Largest Supplier of Electrical and Electronic Components

Click to view similar products for [Fibre Optic Connectors](#) category:

Click to view products by [TE Connectivity](#) manufacturer:

Other Similar products are found below :

[0004700001](#) [6100-R](#) [6313](#) [F709034706](#) [F709722200](#) [F709730000](#) [F718183204](#) [F727403500](#) [F727752800](#) [8119](#) [9440F20-27S-190](#) [944-120-6001](#) [9441F10SL-3S](#) [9444W28-21S](#) [9444W36-10S](#) [9446F10SL-4S](#) [9446W20-16S](#) [953-101-5310-P](#) [954-101-57202B](#) [A0270169](#) [12-9122](#) [12-5702](#) [AX101713](#) [AX102420](#) [AX103923](#) [AX104024](#) [AX104193](#) [AX104230](#) [AX104562](#) [AX105203-B25](#) [AX105205-S1](#) [EHSC2M](#) [181-011-126](#) [181-011-S](#) [181-057-126](#) [HRFC-R2\(40\)](#) [NKSOPBUY](#) [20500002116](#) [2064996-1](#) [20800001065](#) [2170](#) [9132](#) [2612](#) [2620](#) [9291](#) [9440F16-10S](#) [9440F20-18S](#) [9442W14S-10P](#) [9446F16-10S-190](#) [953-106-50231](#)