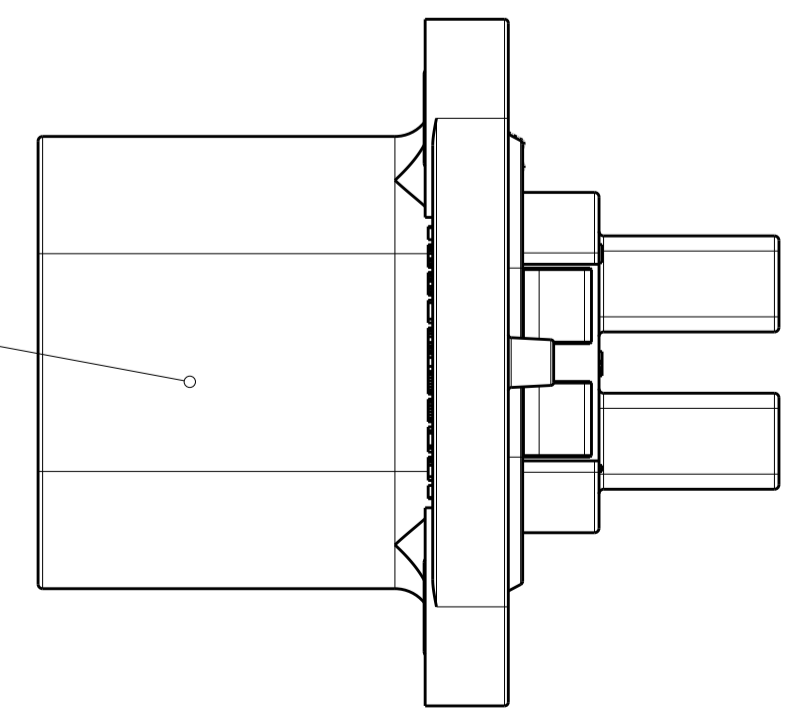
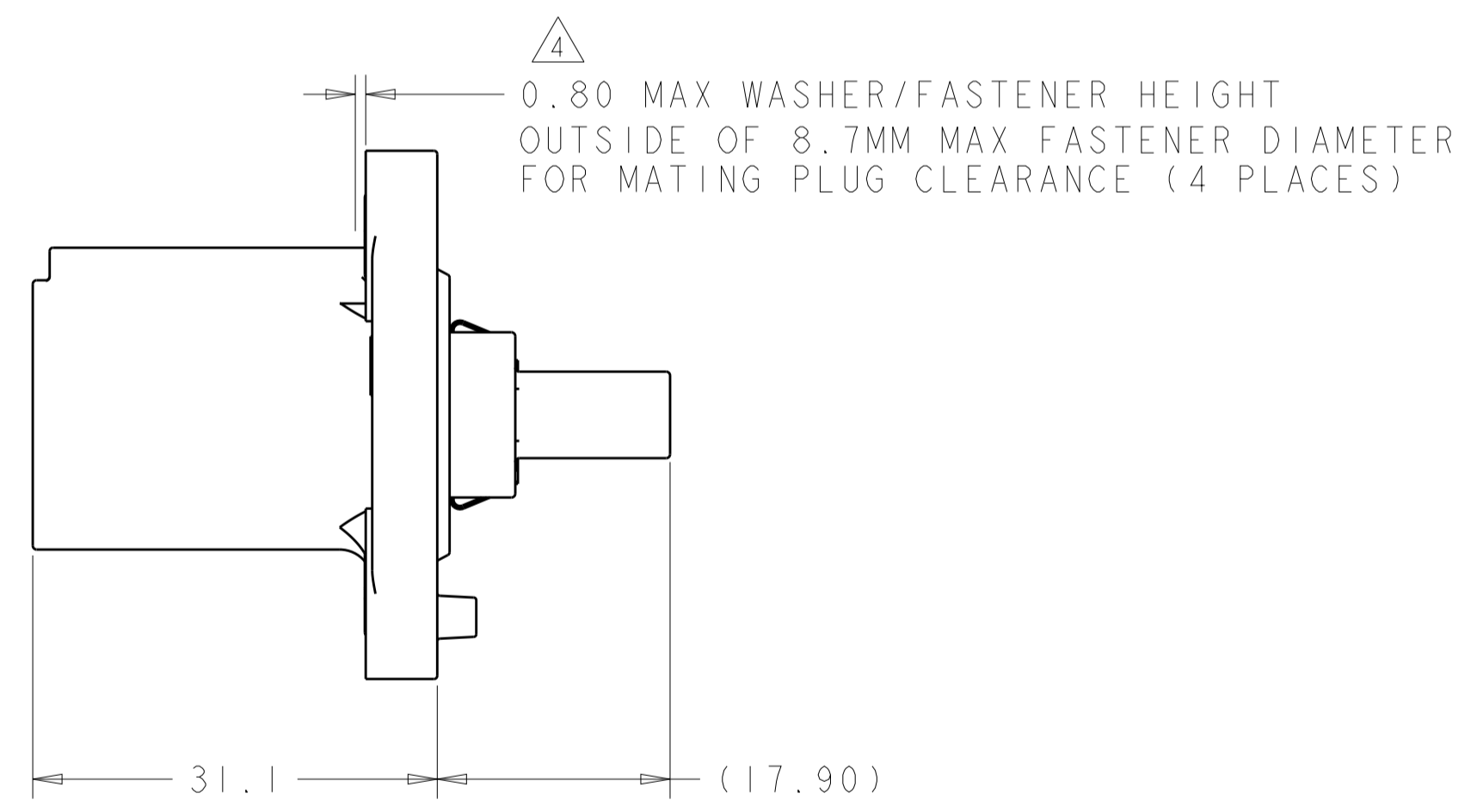
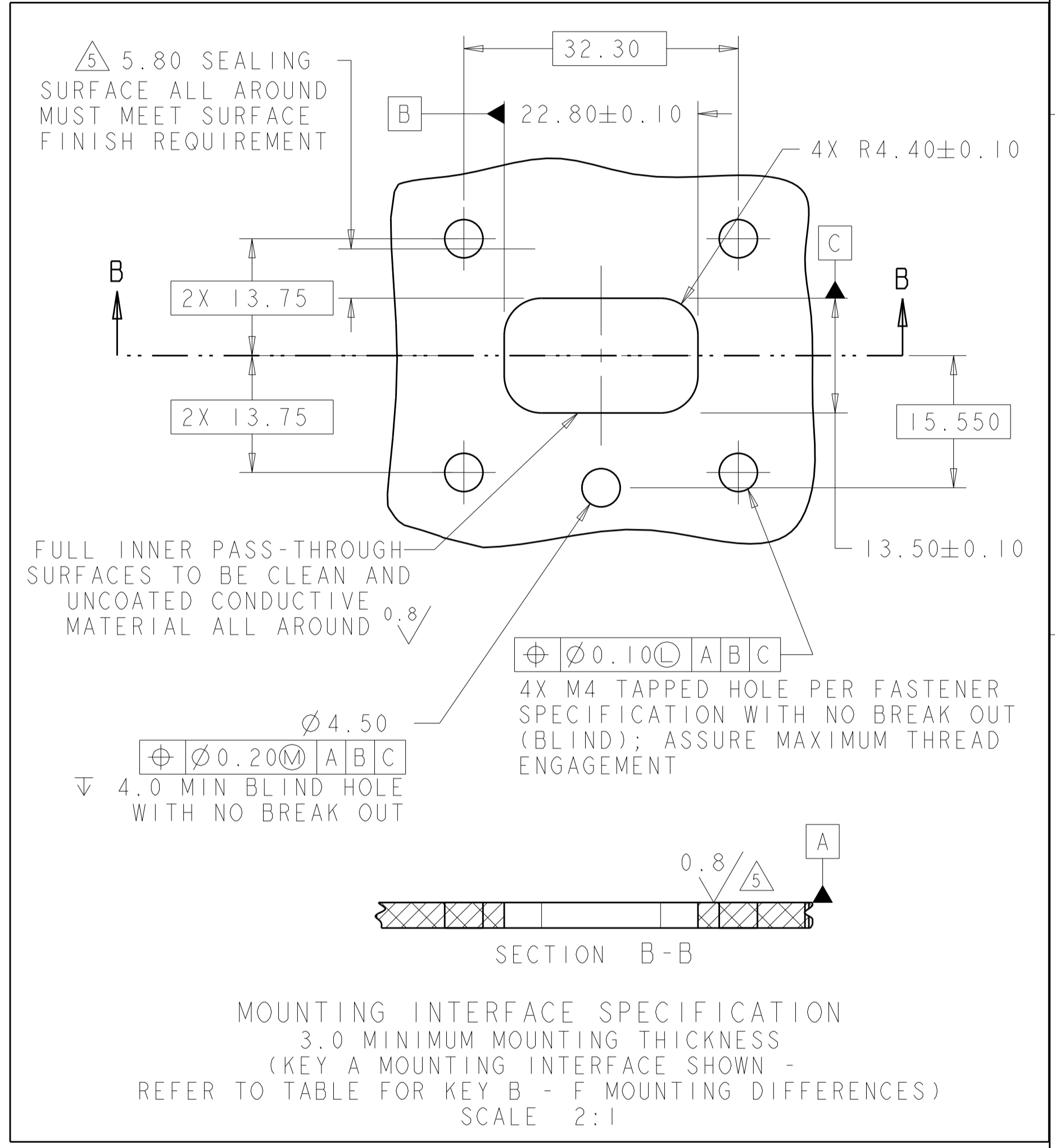
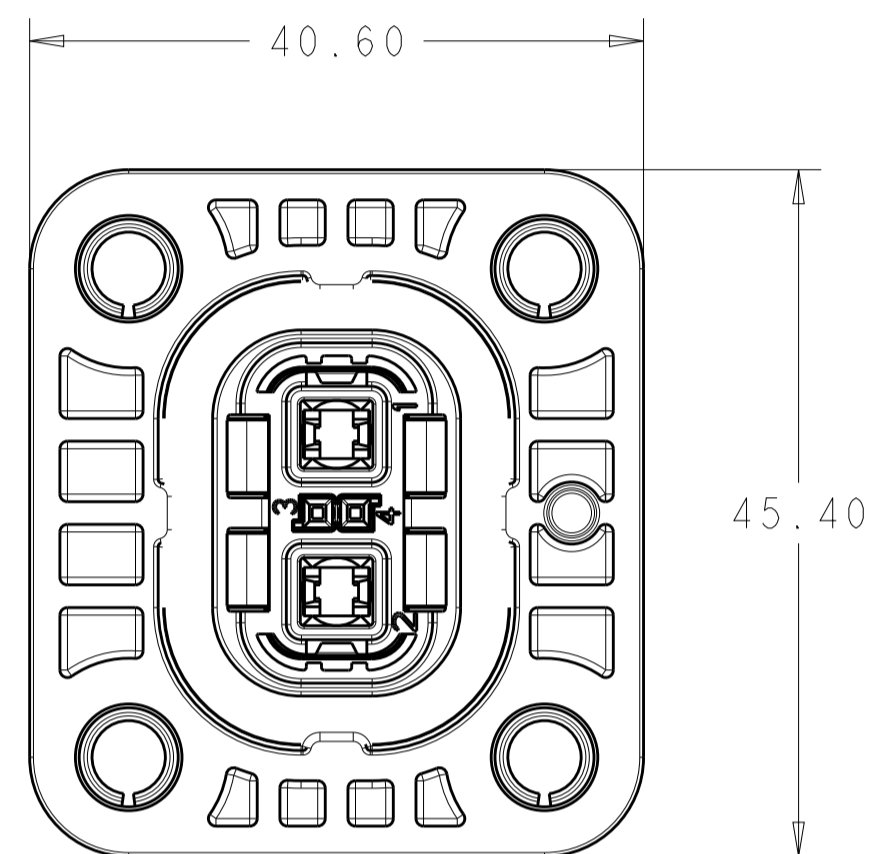
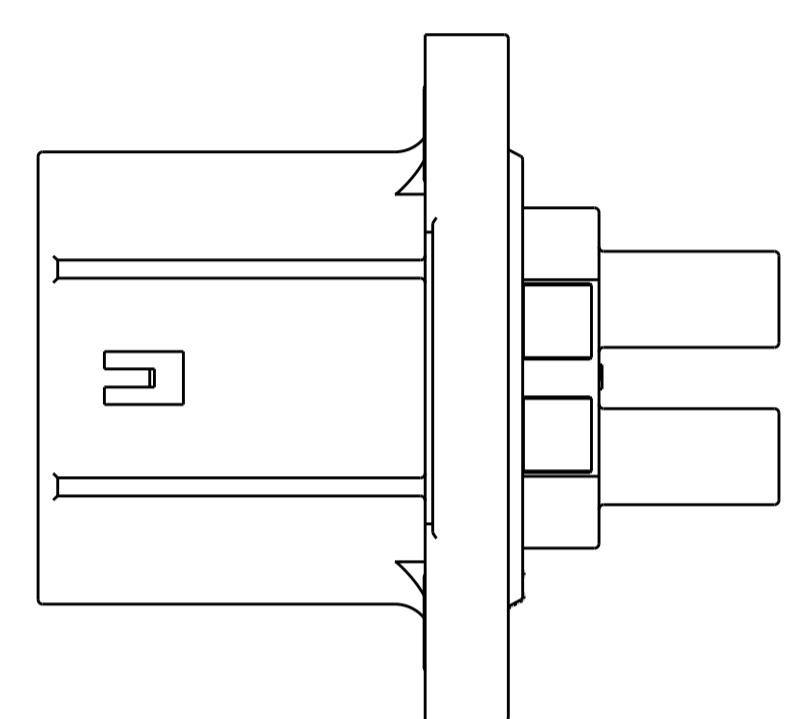
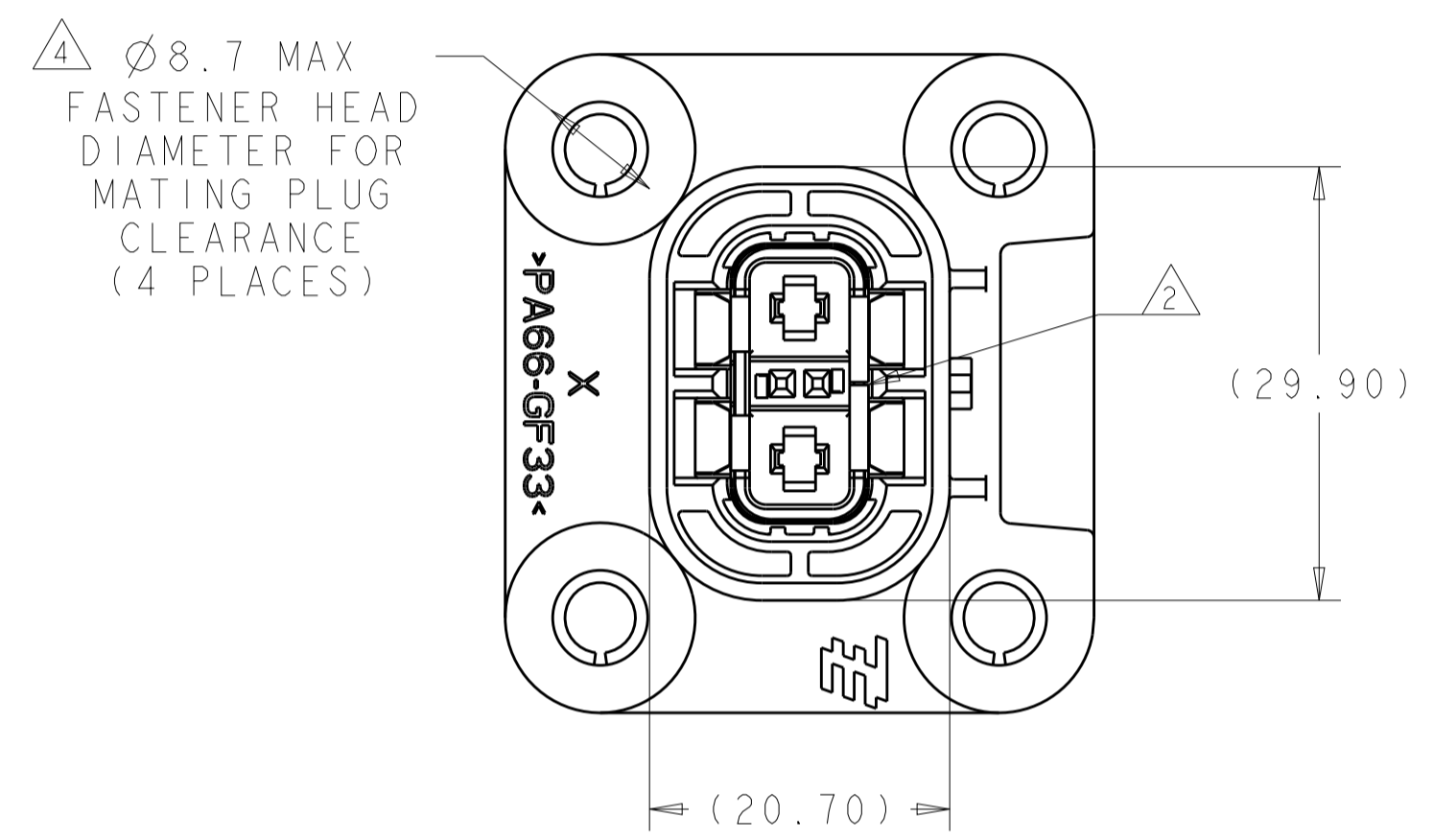
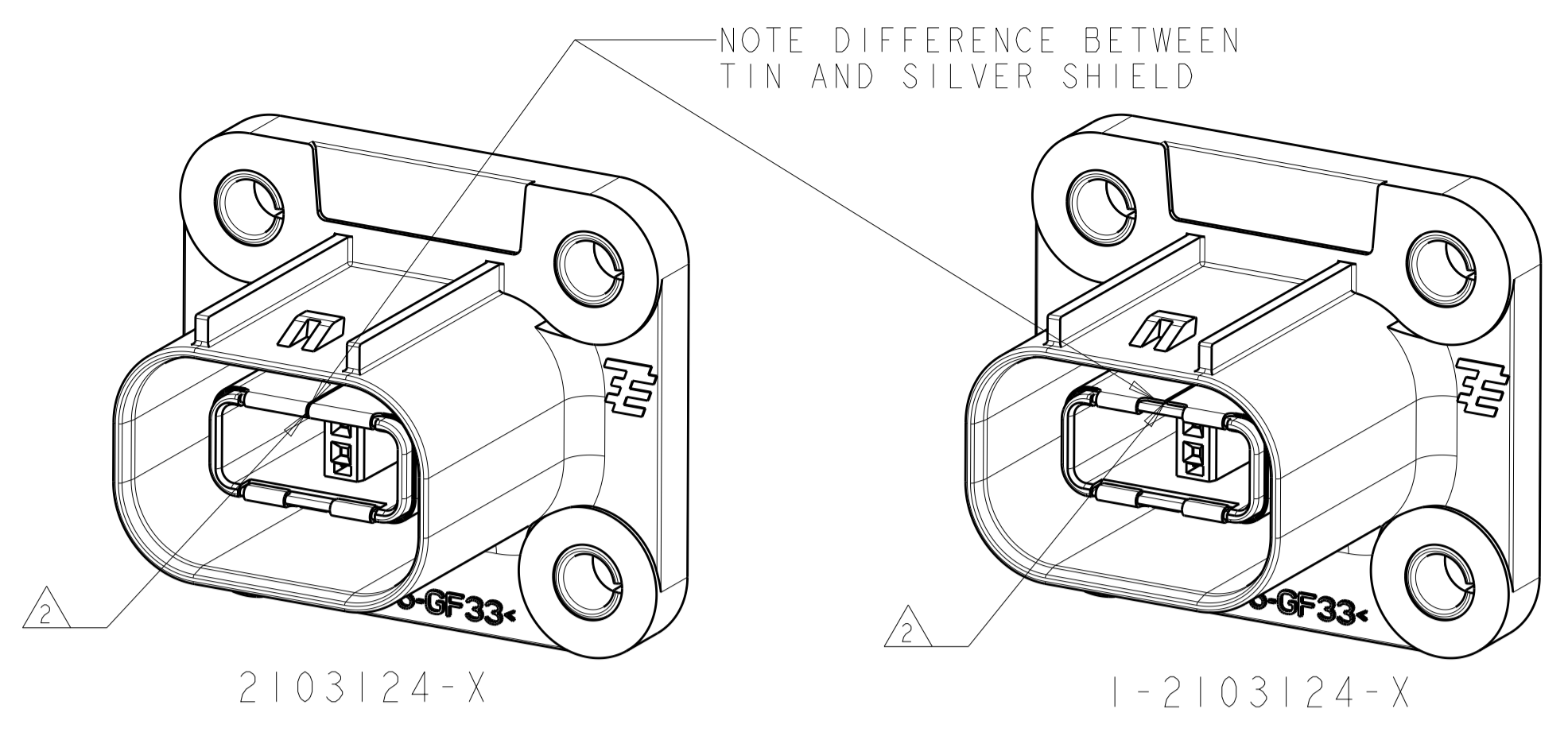
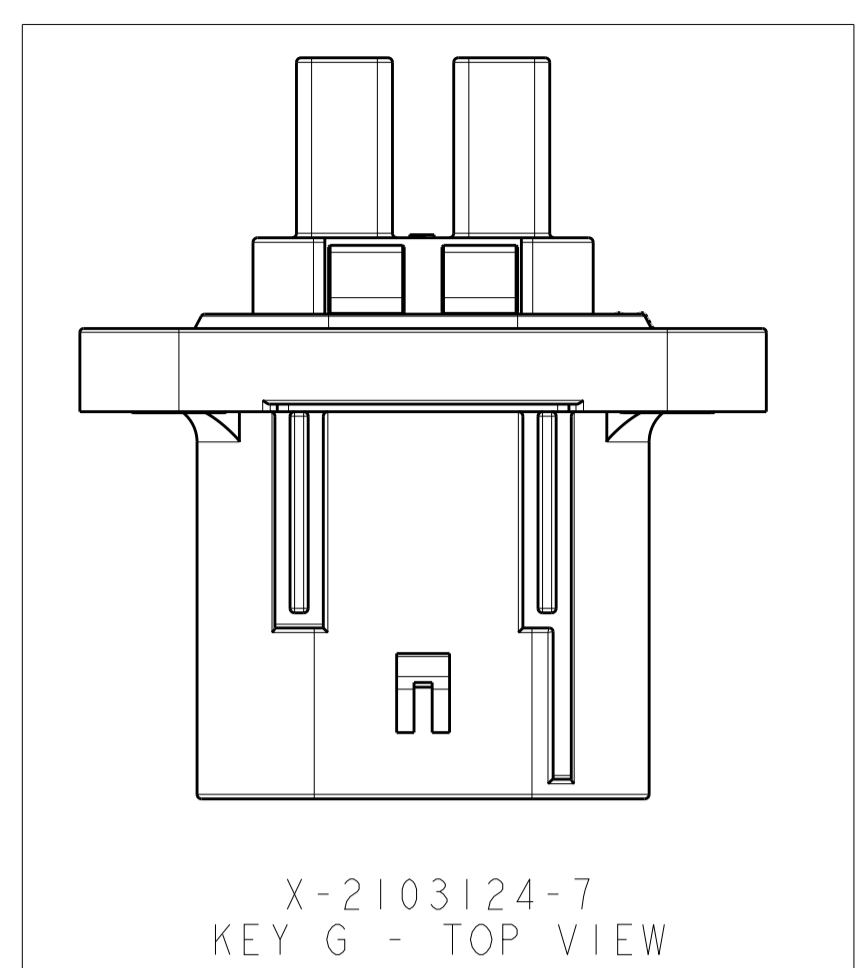


REVISIONS				
P	LTN	DESCRIPTION	DATE	OWN APVD
B2	ECO-14-008515		06JUN2014	YS TD



- IDENTIFICATION MARKING ON THIS SURFACE CONTAINS ASSEMBLY P/N AND DATE CODE (YYDD). TEXT ORIENTATION, SIZE, AND LOCATION CAN VARY AS LONG AS TEXT IS ON SURFACE SHOWN AND READABLE.
- SHIELD SEAM CAN BE POSITIONED AS SHOWN OR ROTATED 180° FROM POSITION SHOWN.
- DELETED
- THESE DIMENSIONS DEFINE FASTENER SIZE LIMITS FOR PROPER COMPONENT FUNCTIONALITY. END USER MUST ENSURE FASTENER AND/OR WASHER DIAMETER IS 8.6 MM MIN FOR PROPER RETENTION. THESE ARE NOT PRODUCT FEATURES - NO INSPECTION REQUIRED FOR THESE ITEMS.
- SURFACE FINISH APPLIES TO AREAS SHOWN IN MOUNTING INTERFACE SPECIFICATION
- 6. USE WITH 2.8MM BLADE TERMINAL P/N:  
2-2141598-2 FOR 1.0 - 2.5MM<sup>2</sup> WIRE  
2-2141600-2 FOR >2.5 - 4.0MM<sup>2</sup> WIRE
- 7. USE WITH MOS RECEPTACLE P/N:  
963715-6, 963715-5, 928999-6 OR 928999-5, DEPENDING ON WIRE SIZE AND MATING PLUG USED
- 8. NOTE DELETED
- NOTE DELETED

2103124-1 SHOWN IN ALL VIEWS UNLESS NOTED REFER TO SHEET 2 FOR ADDITIONAL PART NUMBER VIEWS

SHIELD FINISH	INDEX	PART NO
SILVER	G	1-2103124-7
SILVER	F	1-2103124-6
SILVER	E	1-2103124-5
SILVER	D	1-2103124-4
SILVER	B	1-2103124-2
SILVER	A	1-2103124-1
TIN	G	2103124-7
TIN	F	2103124-6
TIN	E	2103124-5
TIN	D	2103124-4
TIN	B	2103124-2
TIN	A	2103124-1

THIS DRAWING IS A CONTROLLED DOCUMENT.

OWN: T. DEWILTE 30SEP2010  
CHK: T. DEWILTE 30SEP2010  
APVD: T. DEWILTE 15APR2011

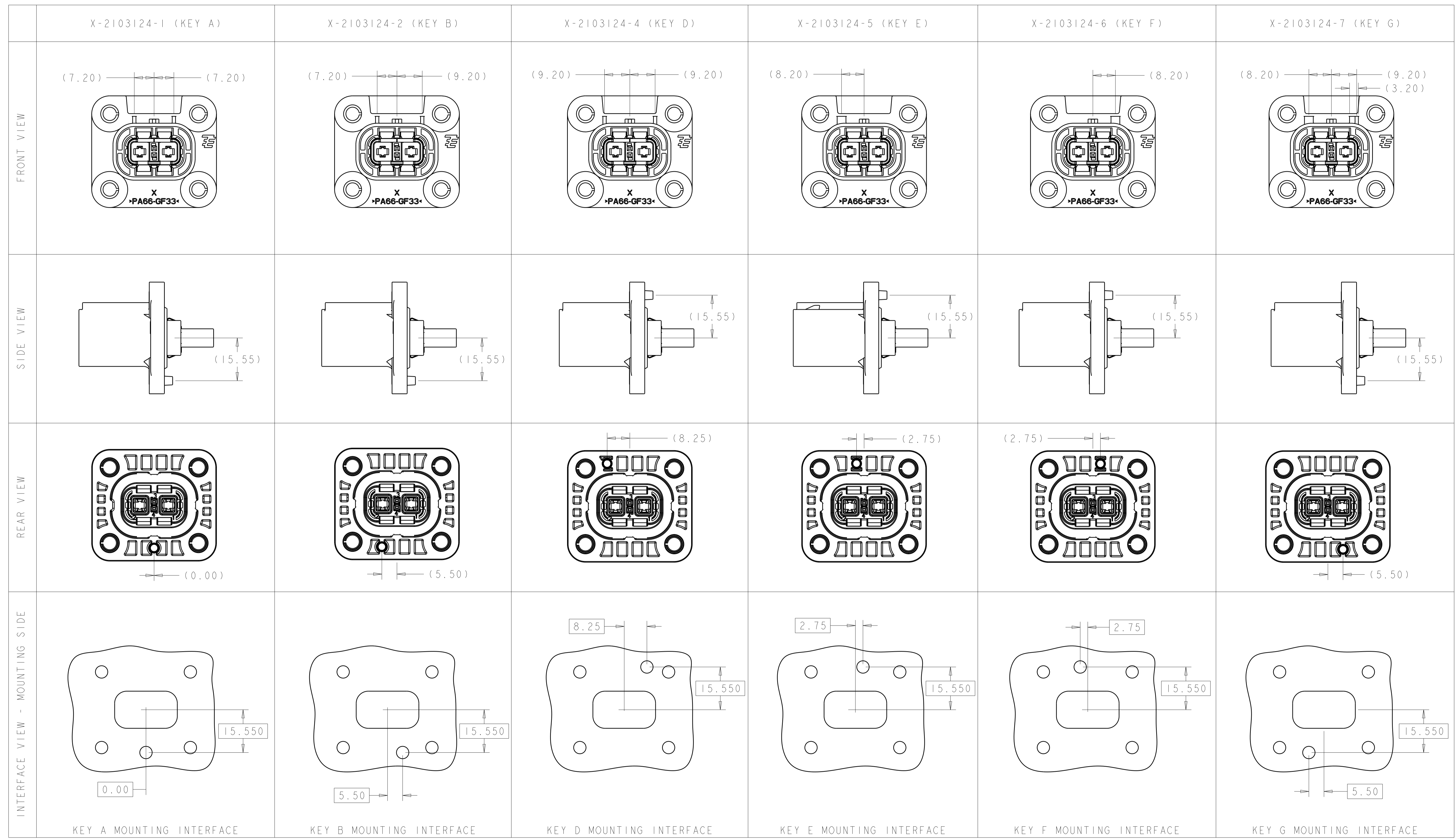
TE Connectivity

HVA280 2P HEADER ASSY  
W/HVIL - PLASTIC 1 PIECE  
CHART DRAWING

SIZE: 408-10441  
WEIGHT: 22.7 g  
CUSTOMER DRAWING

SCALE: 2:1 SHEET 1 OF 2 REV: B2

REVISIONS				
P.	LTN	DESCRIPTION	DATE	APVD
-	-	SEE SHEET 1	-	-



THIS DRAWING IS A CONTROLLED DOCUMENT.

DWN	T. DEWILITE	30SEP2010
CHK	T. DEWILITE	30SEP2010
APVD	T. DEWILITE	15APR2011

TE Connectivity

NAME: HVA280 2P HEADER ASSY  
 W/HVIL - PLASTIC 1 PIECE  
 CHART DRAWING

SIZE: A1 CAGE CODE: 408-10441 DRAWING NO: 2103124  
 WEIGHT: 22.7 g

RESTRICTED TO: B2

SCALE: 2:1 SHEET 2 OF 2

## X-ON Electronics

Largest Supplier of Electrical and Electronic Components

*Click to view similar products for [Automotive Connectors](#) category:*

*Click to view products by [TE Connectivity](#) manufacturer:*

Other Similar products are found below :

[003-018-000](#) [60403001](#) [60993906-B](#) [M902-2131](#) [M902-2161](#) [72.330.1035.1](#) [73.353.4028.0](#) [F119300-B](#) [F166900](#) [F258300-B](#) [F358300-B](#)  
[F407400](#) [F444110](#) [F487000](#) [F509500B-B](#) [827153-1](#) [8N1515-32-24P](#) [9-1326729-8](#) [925474-1](#) [928905-1](#) [964562-4](#) [968782-1](#) [GT17SA-8DS-](#)  
[HU](#) [98891-1012](#) [98947-1016](#) [12004147](#) [12004475-L](#) [12010290](#) [12010309-B](#) [12015454](#) [12020219-B](#) [12020308](#) [12041318-B](#) [12052225-L](#)  
[12052466](#) [12059125](#) [12064869](#) [12004327-B](#) [12010503-B](#) [12015308](#) [12015384](#) [12015909](#) [1-21030-1](#) [12041254](#) [12041318](#) [12047946-B](#)  
[12047957](#) [12047957-L](#) [12059473](#) [12066261](#)