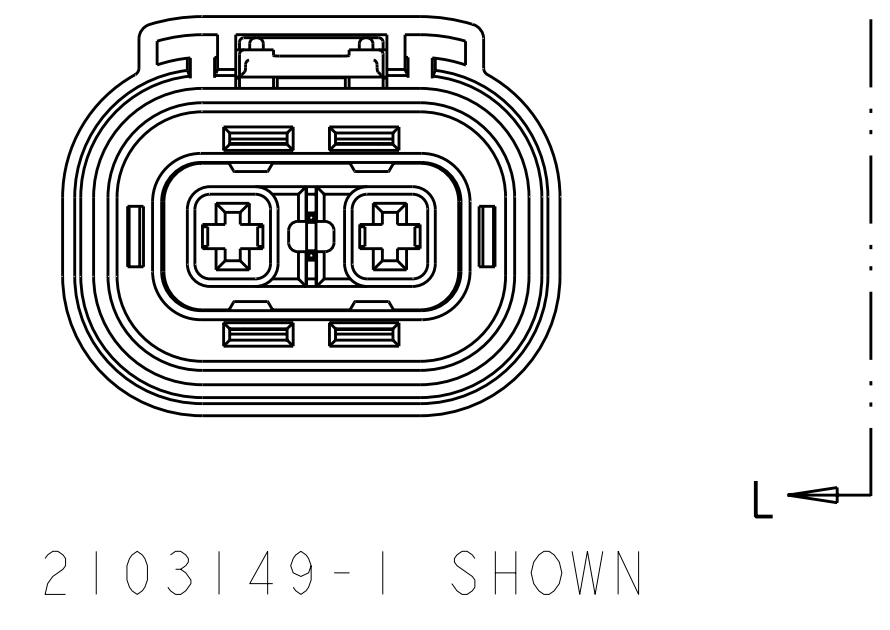
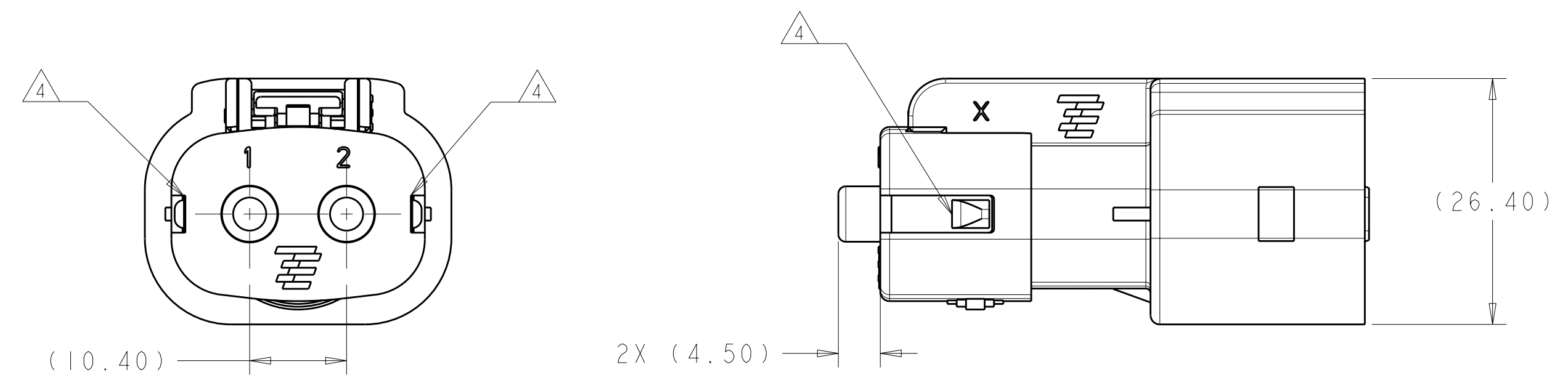
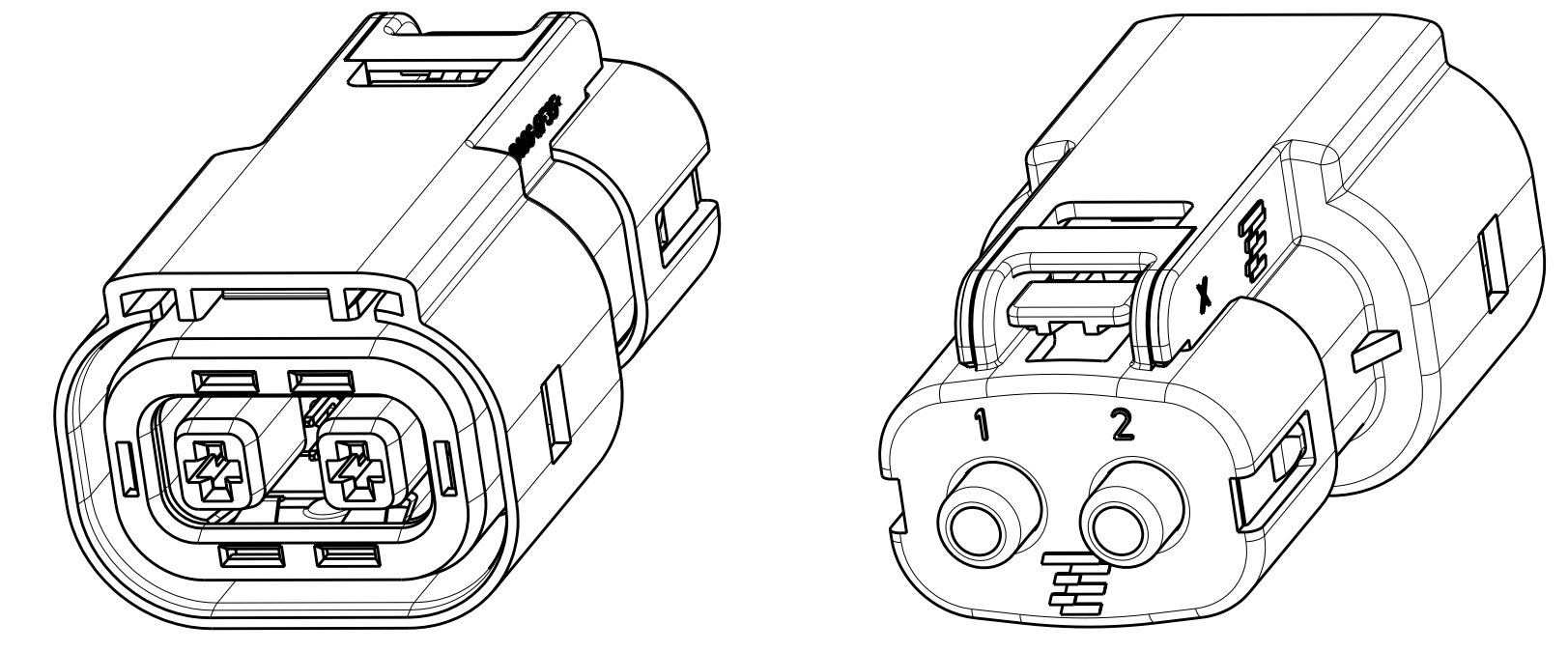
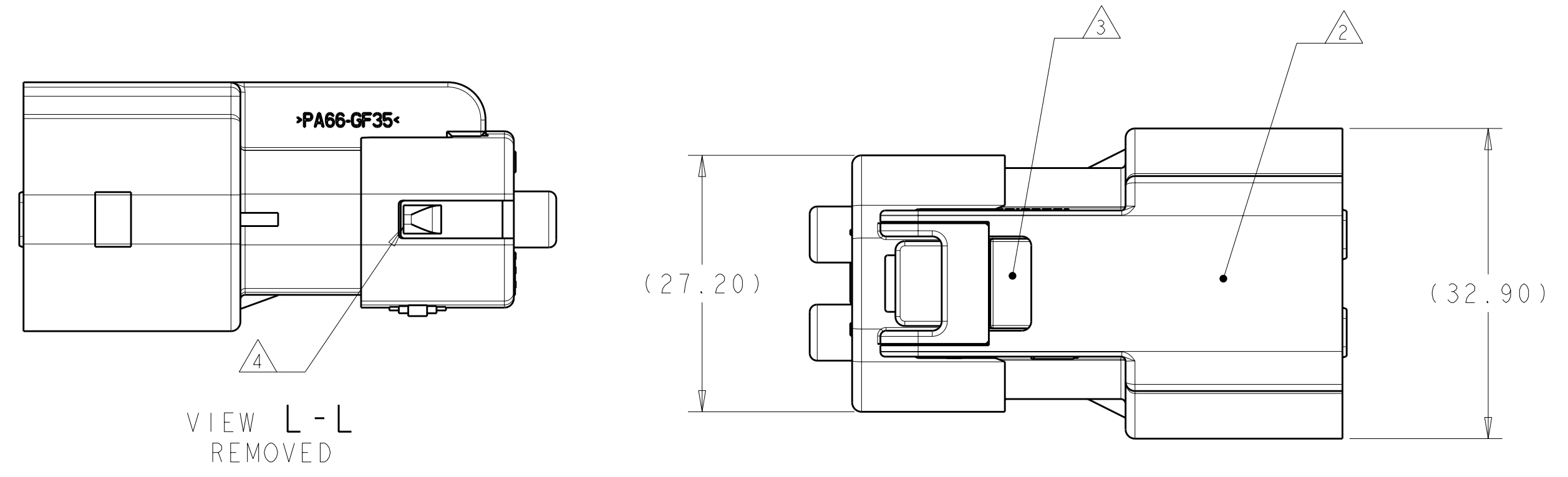
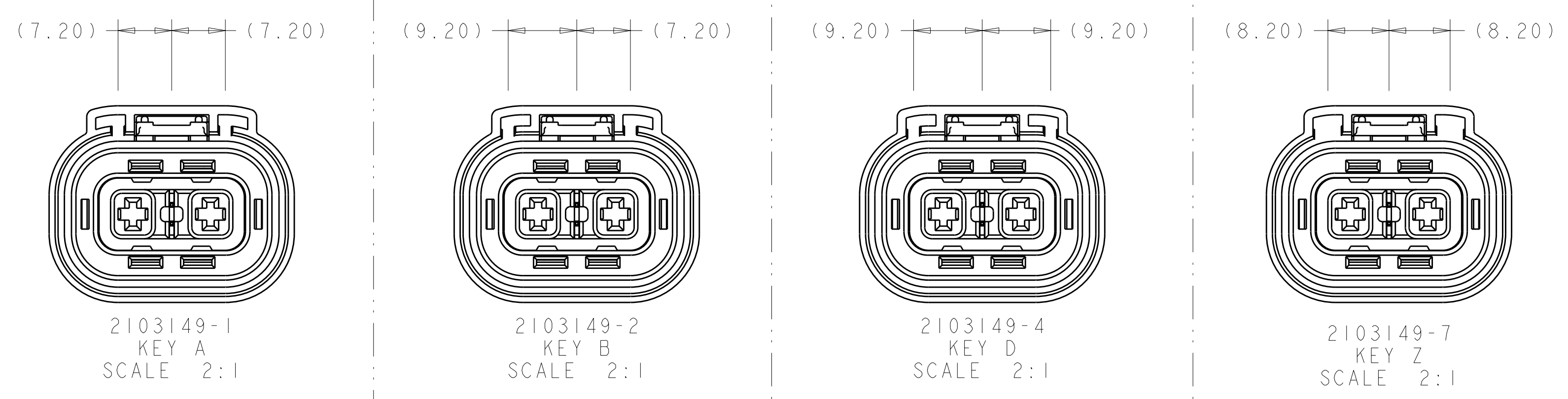
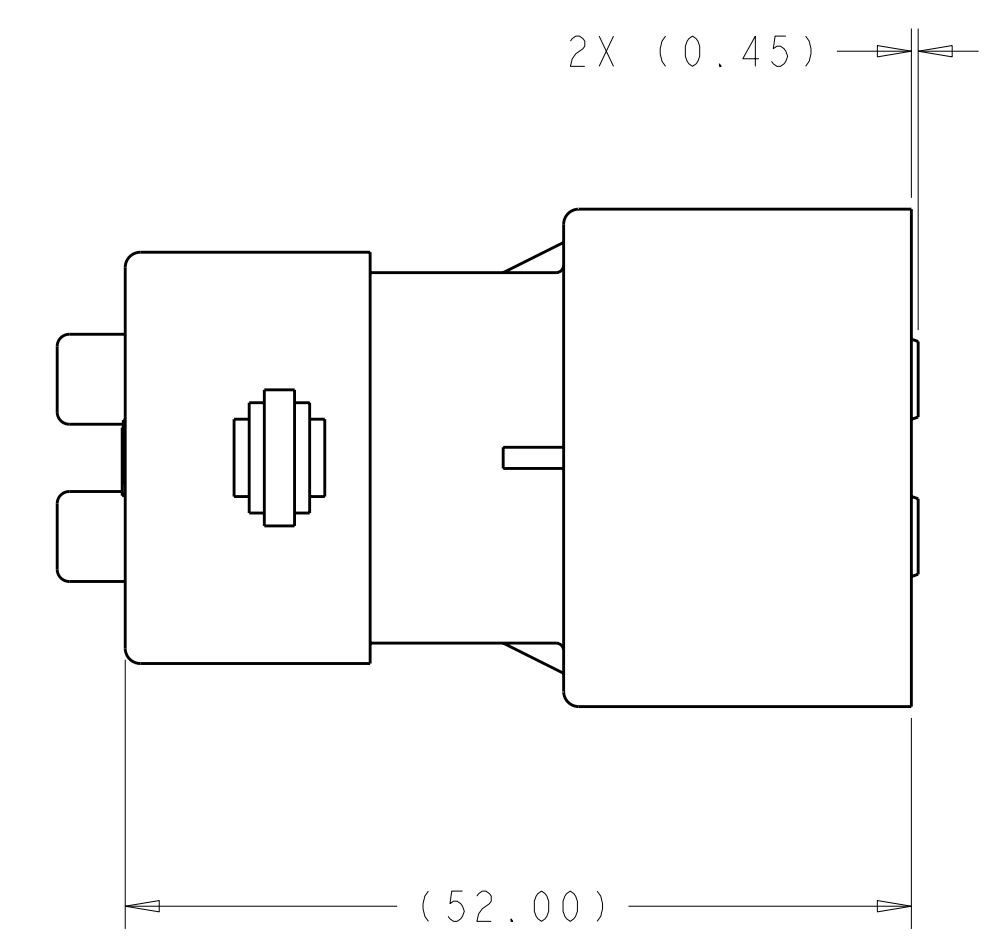


| LOC | DIST | REVISIONS | | | |
|-----|------|-----------|-----------|----|------|
| | | REV | DATE | BY | APPD |
| HV | 00 | A | 14FEB2012 | DS | AT |
| | | A1 | 12MAR2012 | DS | AT |



- CONNECTOR MUST BE FREE OF ANY MECHANICAL DEFECTS WHICH MAY AFFECT FIT, FORM, OR PERFORMANCE
- PLUG SUB ASSEMBLY PART NUMBER AND JULIAN DATE CODE MARKED IN THIS AREA
- FLOATING LATCH MUST BE FULLY INSTALLED AS SHOWN
- WIRE SEAL RETAINER MUST BE FULLY LOCKED IN TWO LOCATIONS ONTO OUTER HOUSING.
- NOTE DELETED



| DESCRIPTION | PART NO |
|-------------------------------------|-----------|
| PLUG, HVIL ONLY, KEY Z, HVA280-2PHI | 2103149-7 |
| PLUG, HVIL ONLY, KEY D, HVA280-2PHI | 2103149-4 |
| PLUG, HVIL ONLY, KEY B, HVA280-2PHI | 2103149-2 |
| PLUG, HVIL ONLY, KEY A, HVA280-2PHI | 2103149-1 |

| | | | |
|---|---------|----------------------------|---|
| THIS DRAWING IS A CONTROLLED DOCUMENT. DIMENSIONING AND TOLERANCING PER ASME Y14.5M-2009. | | DWN D SIMPSON 28OCT2010 | TE Connectivity |
| TOLERANCES UNLESS OTHERWISE SPECIFIED: | | CHK A TYLER 28OCT2010 | |
| DIMENSIONS: | mm | PRODUCT SPEC 108-2394 | NAME PLUG, HVIL ONLY, HVA280-2PHI |
| 0 PLC | ± | APPLICATION SPEC 114-13259 | SIZE CAGE CODE DRAWING NO RESTRICTED TO |
| 1 PLC | ±0.2 | WEIGHT | A100779C=2103149 |
| 2 PLC | ±0.10 | CUSTOMER DRAWING | SCALE 1:1 SHEET 1 OF 1 REV A1 |
| 3 PLC | ±0.013 | | |
| 4 PLC | ±0.0001 | | |
| ANGLES | ±1° | | |
| FINISH | | | |

X-ON Electronics

Largest Supplier of Electrical and Electronic Components

Click to view similar products for [Automotive Connectors](#) category:

Click to view products by [TE Connectivity](#) manufacturer:

Other Similar products are found below :

[003-018-000](#) [60403001](#) [60993906-B](#) [M902-2131](#) [M902-2161](#) [M902-2344](#) [72.330.1035.1](#) [73.353.4028.0](#) [F119300-B](#) [F166900](#) [F258300-B](#)
[F358300-B](#) [F407400](#) [F444110](#) [F487000](#) [F509500B-B](#) [827153-1](#) [8N1515-32-24P](#) [9-1326729-8](#) [925474-1](#) [928905-1](#) [964562-4](#) [968782-1](#)
[GT17SA-8DS-HU](#) [98891-1012](#) [98947-1016](#) [12004147](#) [12004475-L](#) [12010290](#) [12010309-B](#) [12015454](#) [12020219-B](#) [12041318-B](#) [12052225-](#)
[L](#) [12052466](#) [12064869](#) [12004327-B](#) [12015308](#) [12015384](#) [12015909](#) [1-21030-1](#) [12041254](#) [12041318](#) [12047946-B](#) [12047957](#) [12047957-L](#)
[12059473](#) [12066261](#) [12110546](#) [12110546-B](#)