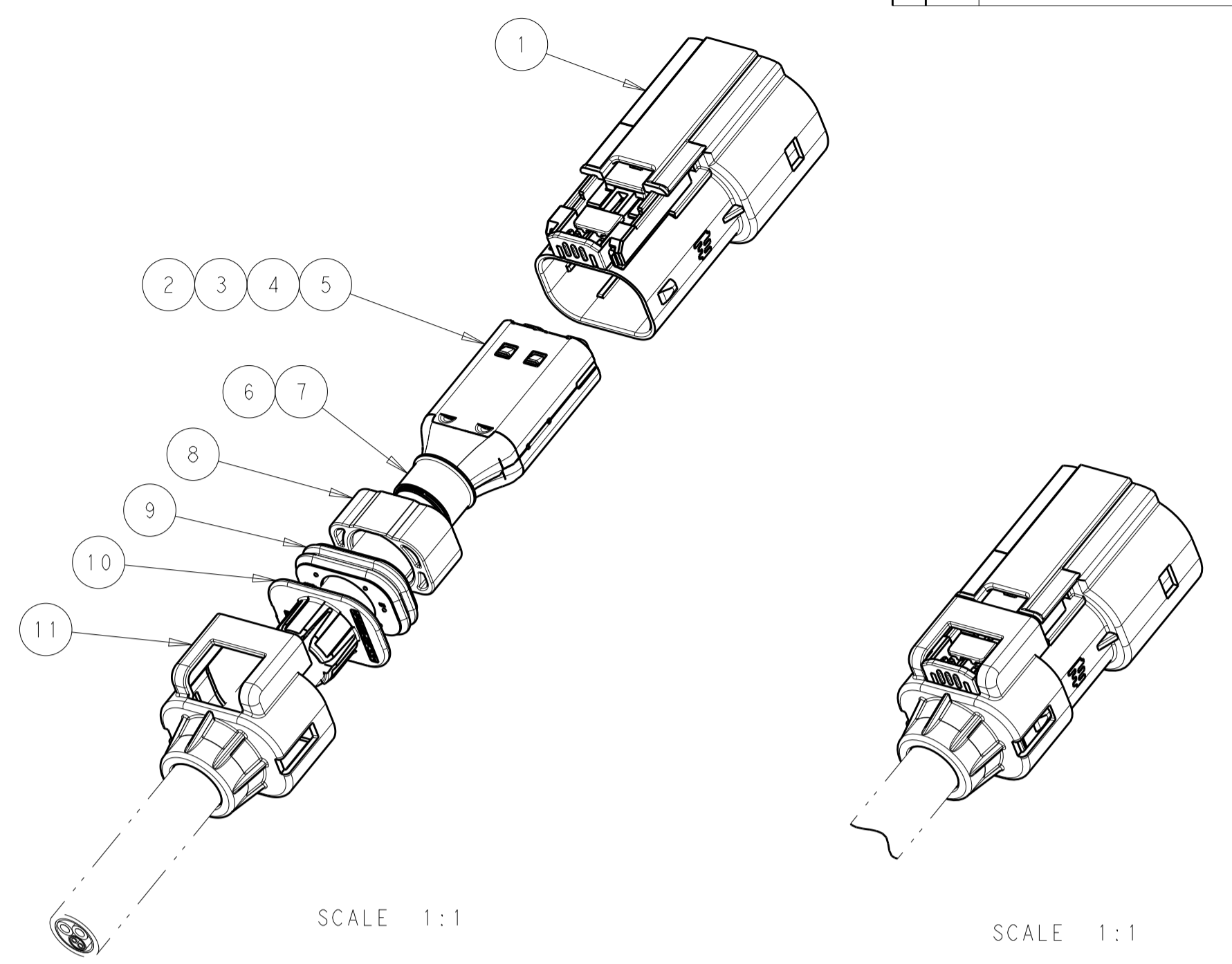
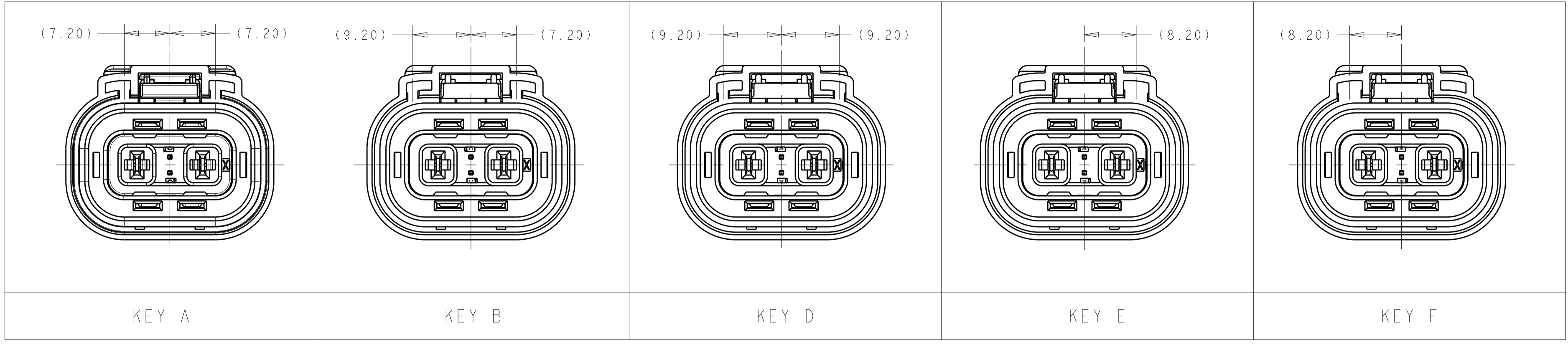
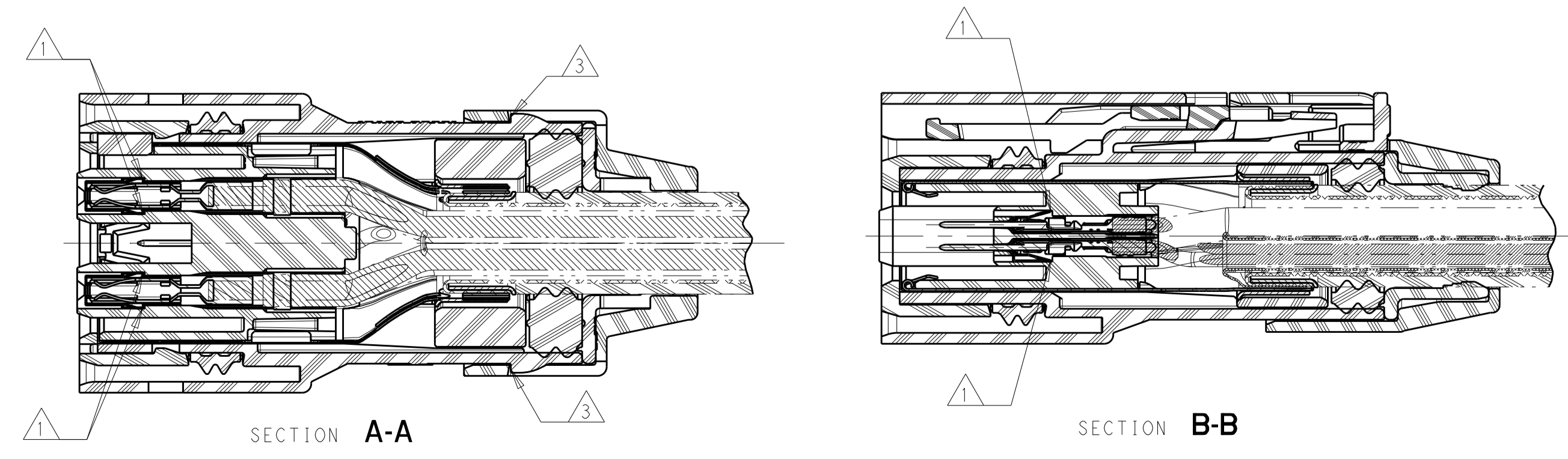
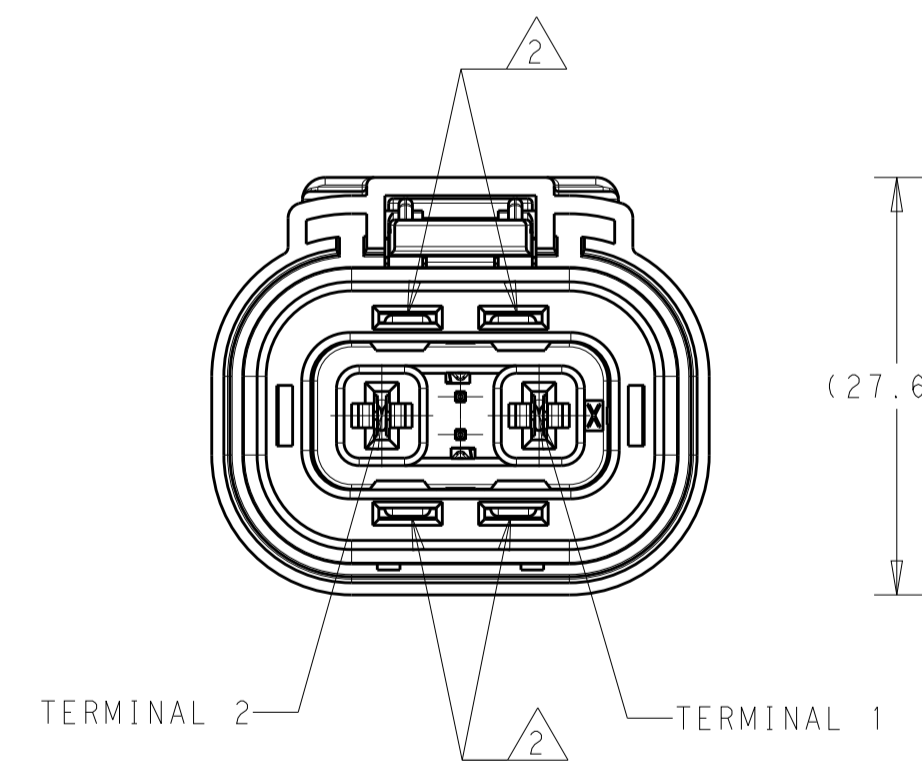
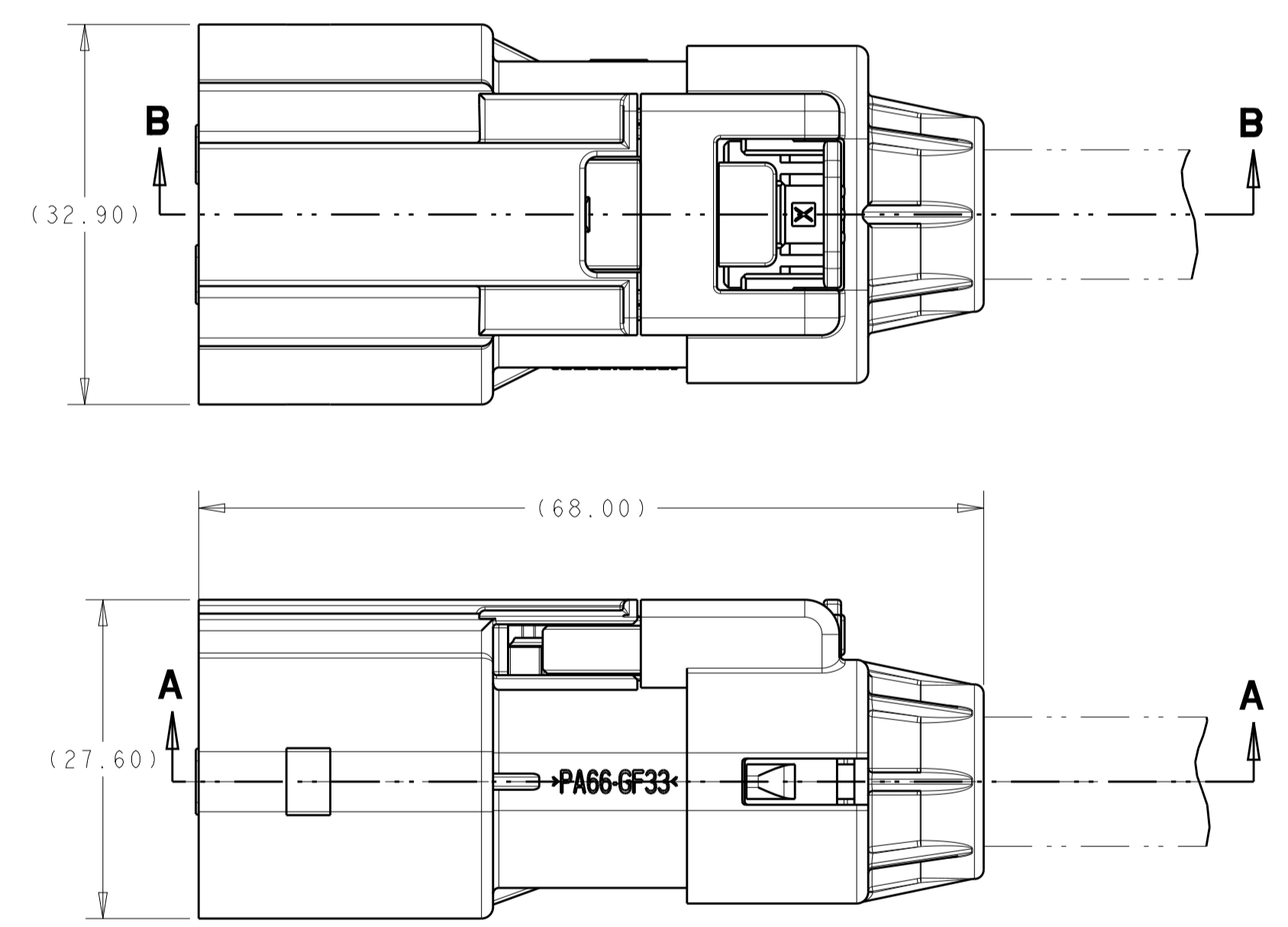


LOC		DIST		REVISIONS				
HV		00		P. LTH	DESCRIPTION	DATE	DWN	APVD
				A	NEW DRAWING	09AUG2013	DR	DR



- 1 ALL TERMINALS MUST BE FULLY SEATED AND LOCKED IN POSITION
- 2 INNER HOUSING MUST BE FULLY LOCKED 4 PLACES
- 3 CABLE SEAL RETAINER MUST BE FULLY LOCKED 2 PLACES
- 4 PARTS ARE NOT AVAILABLE BY THESE NUMBERS FULLY ASSEMBLED AS SHOWN. FINAL ASSEMBLY REQUIRES INDIVIDUAL COMPONENTS OR SUB-ASSEMBLIES LISTED IN THE PARTS LIST AND AVAILABLE SEPARATELY FROM TE. CONSULT INDIVIDUAL CUSTOMER DRAWINGS FOR PART RELEASE STATUS.
- 5 NOTE DELETED
- 6 VALIDATED CABLE / SUBCOMPONENT COMBINATION
- 7. MATES WITH Ag SHIELD HEADERS SHOWN ON TE DRAWING 2103124



QTY	QTY	QTY	QTY	QTY	QTY	PART NUMBER	DESCRIPTION	ITEM
1	1	1	1	1	1	2103013-1	SEAL RETAINER, CABLE, SIZE 1	11
1	1	1	1	1	1	2103155-1	COLLET, SIZE 1	10
1	1	1	1	1	1	2103154-1	SEAL, CABLE, SIZE 1	9
1	1	1	1	1	1	2103153-1	SPACER	8
1	1	1	1	1	1	1587724-3	FERRULE, OUTER, SIZE C	7
1	1	1	1	1	1	1587723-3	FERRULE, INNER, SIZE C	6
2	2	2	2	2	2	1-2103157-1	SHIELD, PLUG, Ag, SIZE 1	5
2	2	2	2	2	2	1-968853-3	MCP 2.8 TERMINAL FEMALE, Ag, >2.5-4.0mm <sup>2</sup>	4
2	2	2	2	2	2	963716-2	MQS 0.63 TERMINAL MALE, Au, 0.50-0.75mm <sup>2</sup>	3
1	1	1	1	1	1	1587977-2	INNER HOUSING, PASS THRU HVIL	2
1	—	—	—	—	—	4-2103015-6	PLUG SUBASSY, KEY F, FINGER LATCH, WITH CPA	1
—	1	—	—	—	—	4-2103015-5	PLUG SUBASSY, KEY E, FINGER LATCH, WITH CPA	1
—	—	1	—	—	—	4-2103015-4	PLUG SUBASSY, KEY D, FINGER LATCH, WITH CPA	1
—	—	—	1	—	—	4-2103015-2	PLUG SUBASSY, KEY B, FINGER LATCH, WITH CPA	1
—	—	—	—	1	—	4-2103015-1	PLUG SUBASSY, KEY A, FINGER LATCH, WITH CPA	1

F	E	D	B	A	ASSEMBLY INDEX
2103436-6	2103436-5	2103436-4	2103436-2	2103436-1	REFERENCE NUMBER 4 ← THESE NUMBERS ARE FOR REFERENCE PURPOSE ONLY AND ARE NOT FOR SALE
QUANTITY REQUIRED					PARTS LIST
KROMBERG & SCHUBERT 64994093					CABLE SUPPLIER/ SPECIFICATION
2x4.0mm <sup>2</sup> + 2x0.5mm <sup>2</sup>					CABLE SIZE

THIS DRAWING IS A CONTROLLED DOCUMENT.		DWN: D. RHEIN 09NOV2010		TE Connectivity	
DIMENSIONS:	TOLERANCES UNLESS OTHERWISE SPECIFIED:	CHK: D. RHEIN 02DEC2010		NAME	PLUG ASSEMBLY, PASS THRU HVIL, HVA280-2PHM, REFERENCE DRAWING
mm	PLC ±0.50	APVD: J. ROLEWITZ 02DEC2010		PRODUCT SPEC	108-32020
		3 PLC #	APPLICATION SPEC	114-13310	
		4 PLC #	WEIGHT	A100779	
		ANGLES #	FINISH #	SCALE 2:1	
		FINISH #	CUSTOMER DRAWING	SHEET 1 OF 1	

## X-ON Electronics

Largest Supplier of Electrical and Electronic Components

*Click to view similar products for [Automotive Connectors](#) category:*

*Click to view products by [TE Connectivity](#) manufacturer:*

Other Similar products are found below :

[003-018-000](#) [60403001](#) [60993906-B](#) [M902-2131](#) [M902-2161](#) [72.330.1035.1](#) [73.353.4028.0](#) [F119300-B](#) [F166900](#) [F258300-B](#) [F358300-B](#)  
[F407400](#) [F444110](#) [F487000](#) [F509500B-B](#) [827153-1](#) [8N1515-32-24P](#) [9-1326729-8](#) [925474-1](#) [928905-1](#) [964562-4](#) [968782-1](#) [GT17SA-8DS-](#)  
[HU](#) [98891-1012](#) [98947-1016](#) [12004147](#) [12004475-L](#) [12010290](#) [12010309-B](#) [12015454](#) [12020219-B](#) [12020308](#) [12041318-B](#) [12052225-L](#)  
[12052466](#) [12059125](#) [12064869](#) [12004327-B](#) [12010503-B](#) [12015308](#) [12015384](#) [12015909](#) [1-21030-1](#) [12041254](#) [12041318](#) [12047946-B](#)  
[12047957](#) [12047957-L](#) [12059473](#) [12066261](#)